

FREESTANDING TUB ROUGH-IN VALVE INSTALLATION

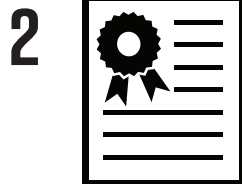
Model #:
10123



BEFORE YOU BEGIN YOUR INSTALLATION:



Turn off water supply.



Observe all local plumbing codes.



Inspect plumbing for signs of damage. Replace as necessary.



DO NOT use petroleum based products on this faucet.

REQUIRED TOOLS AND MATERIALS:



Phillips Screwdriver



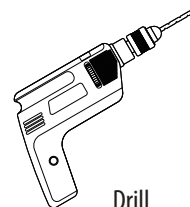
Adjustable Wrench



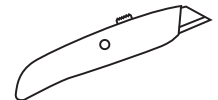
6mm Hex Key Wrench



Thread Sealant



Drill



Utility Knife

WARNING: Cancer and reproductive harm - see www.P65Warnings.ca.gov

IMPORTANT!

- Read these instructions and plan the installation before beginning.
- Risk of product damage. Do not apply direct heat to the valve. Excessive heat will damage the plastic components and plaster guard.
- Do not remove the plaster guard until instructed to do so.
- A hot and cold water supply is required for this valve.
- Component location, spacing, and situational requirements can vary.

FLOOR INSTALLATION

1. INSTALLED VALVE EXAMPLE

Before installation, determine the height of the valve position on stringer. For ease of trim installation, we recommend keeping the finished floor within 1" to 2" from the minimum valve height.

2.

After determining valve height, place the valve in the desired position on the stringer. Allow enough room for supply pipes.

3.

Mark valve hole positions with a pencil. Drill each of the four holes at 3/8" to 1/2" wide in diameter.

4.

Slide valve and hardware through four holes. The cold inlet should be facing the tub.

5.

Secure valve to stringer by attaching washers and nuts to hardware stems. Tighten with wrench until snug.

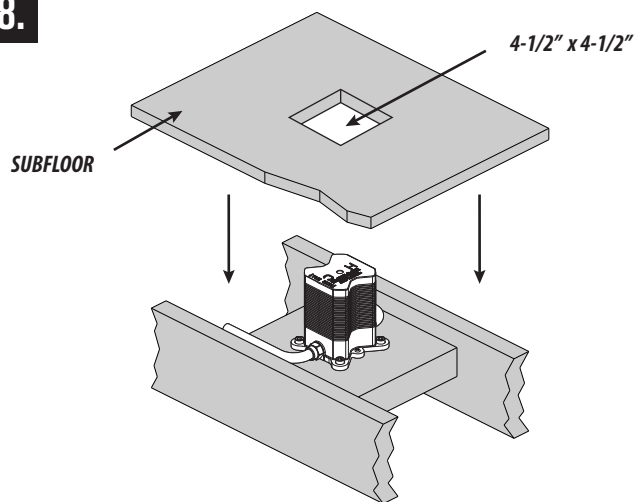
6.

Apply sealant tape onto both 1/2" NPT inlets. On side marked "C", connect the cold water supply to valve body. On opposite side marked "H", connect the hot water supply to valve body.

7.

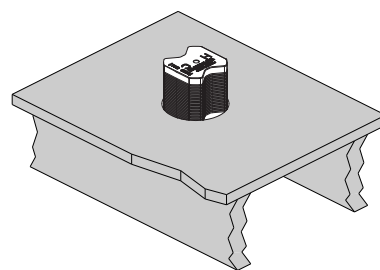
Remove screws at base of plaster guard. Remove plaster guard from the valve body. Rough assembly can now be air or water pressure tested for leaks in supply plumbing. After the leak test is complete, reinstall the plaster guard.

8.



After leak test is complete, cut a square 4-1/2" x 4-1/2" hole into subfloor. Slide subfloor over plaster guard and secure.

9.



Leave plaster guard intact until finished floor is complete.

