



DIVERTER CONTROL ROUGH-IN VALVE INSTALLATION

Model #:
10121



BEFORE YOU BEGIN YOUR INSTALLATION:

1



Turn off water supply.

2



Observe all local plumbing codes.

3



Inspect plumbing for signs of damage. Replace as necessary.

4



DO NOT use petroleum based products on this faucet.

REQUIRED TOOLS AND MATERIALS:



Pliers



Adjustable Wrench



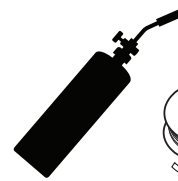
Tube Cutter



1/4 Hex Key Wrench



Thread Sealant



Propane Torch



Solder

PLUS:

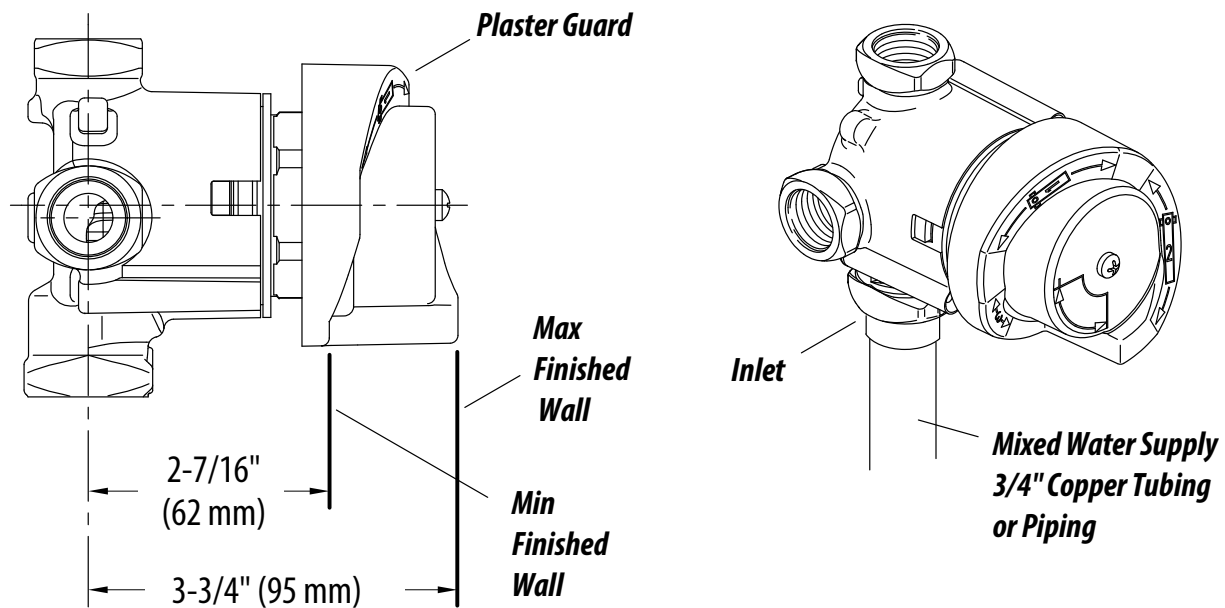
- 1/2" piping or copper tubing for outlets
- 3/4" piping or copper tubing for inlets
- 1/2" NPT plug

WARNING: Cancer and reproductive harm - see www.P65Warnings.ca.gov

IMPORTANT!

- Read these instructions and plan the installation before beginning.
- Risk of product damage. Do not apply direct heat to the valve. Excessive heat will damage the plastic components and plaster guard.
- This valve is not intended to be used as a shut-off valve. If less than three accessories will be installed, do not plug any outlets without completing the two-way conversion.
- Do not remove the plaster guard until instructed to do so.
- A mixed water supply is required for this valve.
- Component location, spacing, and situational requirements can vary.

PREPARE THE SITE

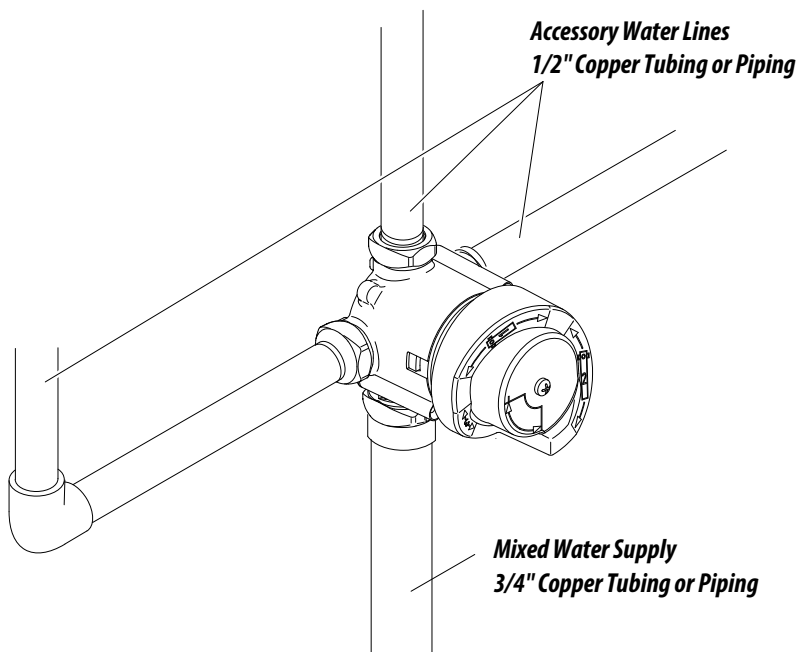


1. Provide a 2-7/8" to 3-1/8" diameter hole in the wall material for the plaster guard.
2. Route a 3/4" mixed water supply line to the transfer valve location.
3. Apply thread sealant to the inlet port threads and connect the water supply to the valve inlet.

THREE-WAY INSTALLATION: If three accessories will be attached to the valve, **continue below.**

TWO-WAY INSTALLATION: If two accessories will be attached to the valve, skip ahead to the **Two-Way Installation section.**

THREE-WAY INSTALLATION

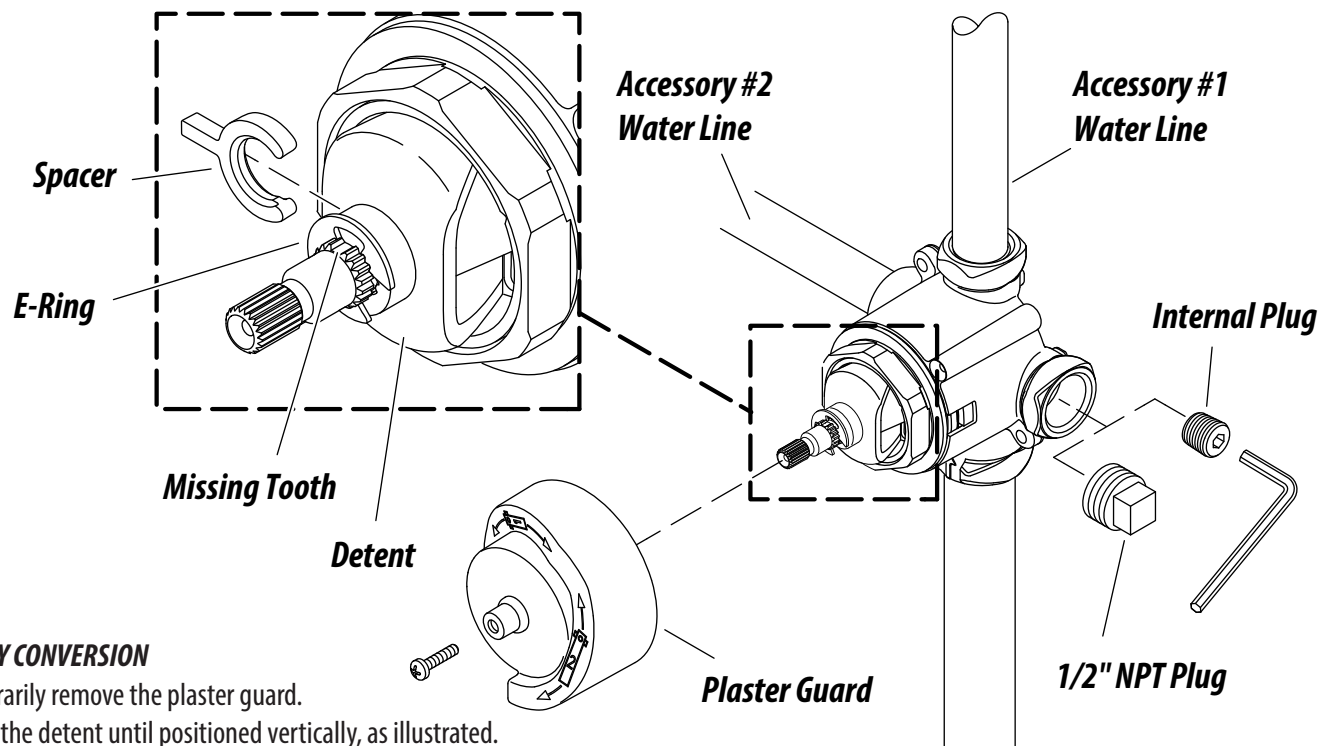


IMPORTANT! Do not remove the internal plug from the valve body for three-way installations. The plug connects the left and right ports allowing either to be used for an additional accessory.

1. Install 1/2" copper tubing or piping for all accessories. Securely fasten the piping and outlet ells to the framing.
2. Install temporary 1/2" nipples in the outlet ells so they extend a minimum of 2" beyond the finished wall.
3. Turn on the water supply to the valve and check for proper operation and leakage. Once everything is verified, turn off the water.
4. Install caps on the temporary bath and shower nipples. Turn on the water and check all connections for leaks. Once no leakage is verified, turn off the water.
5. Complete the finished wall.

TWO-WAY INSTALLATION

IMPORTANT! This valve is not intended to be used as a shut-off valve. Do not plug any outlets without completing the two-way conversion.



TWO-WAY CONVERSION

1. Temporarily remove the plaster guard.
2. Rotate the detent until positioned vertically, as illustrated.
3. Verify the missing tooth is oriented up.

IMPORTANT! If the internal plug is not removed, the finished wall will need to be removed to perform this step at a later date. Using a 1/4" hex wrench, remove and discard the internal plug from inside the valve body.

4. Using a 1/4" hex wrench, remove and discard the internal plug from inside the valve body.
5. Plug the unused port (left or right) with a 1/2" NPT plug (not included).
6. Using pliers, remove the spacer from beneath the detent.
7. Push the detent in; ensure the points of the detent engage the notches of the valve cartridge.
8. Install the spacer above the detent and under the E-ring.

INSTALL THE TWO-WAY VALVE

9. Install 1/2" copper tubing or piping for both accessories. Securely fasten the piping and outlet ells to the framing.
10. Install temporary 1/2" nipples in the outlet ells so they extend a minimum of 2" (51 mm) beyond the finished wall.

IMPORTANT! When testing operation of valve (#10121), water will flow as follows: Accessory 1, Accessory 2. A combined function does not exist. When the valve is turned midway between the two outlet ports, water flow from the ports will reduce to a trickle.

11. Turn on the water supply to the valve and check for proper operation and leakage. Once everything is verified, turn off the water.
12. Install caps on the temporary bath and shower nipples. Turn on the water and check for leaks. Once no leakage is verified, turn off the water.
13. Reinstall the plaster guard.
14. Complete the finished wall.



1-888-304-0660 • 951-304-0520
www.waterstoneco.com
VEN-038-10121 Rev. A