

MPU7

Pop up Drain Assembly

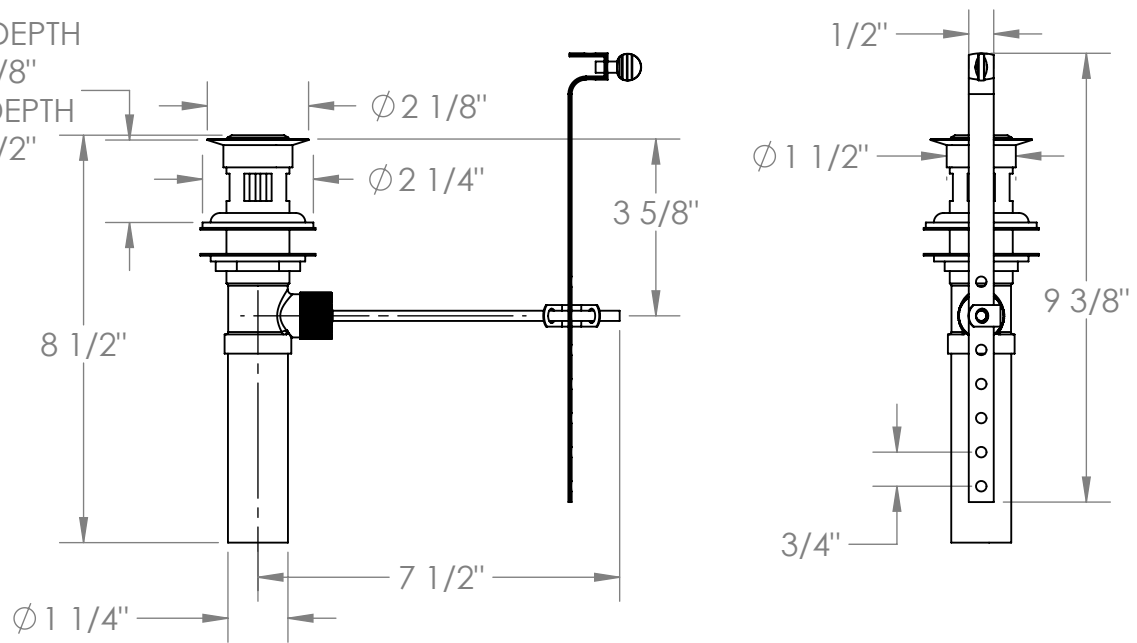


MAX DEPTH

2 1/8"

MIN DEPTH

1 1/2"



Meets the applicable requirements of ASME A112.18.1-2005/CSA B125.1-05, entitled "Plumbing Supply Fittings"

WATERMARK DESIGNS 6/7/2022

350 Dewitt Ave Brooklyn NY 11207 USA T 718 257 2800 F 718 257 2144 info@watermark-designs.com