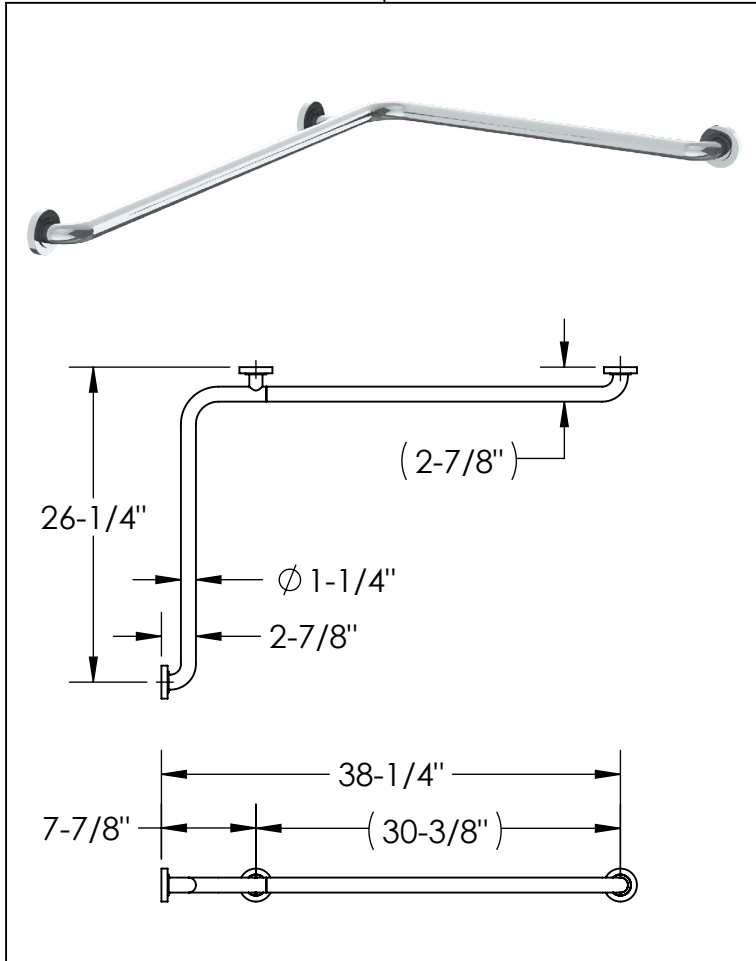


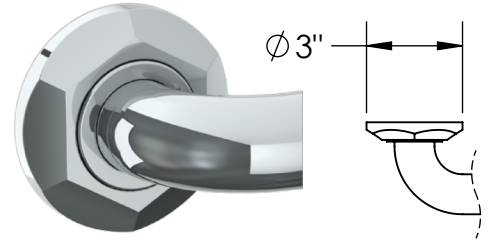
GB11-
Corner Grab Bar

GB11 -

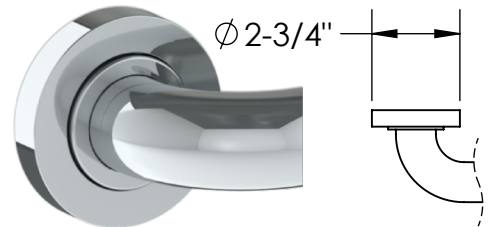
Select cover plate design:



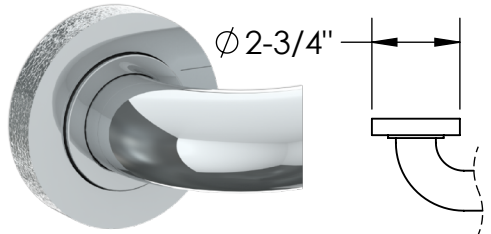
-BST
Gramercy Collection



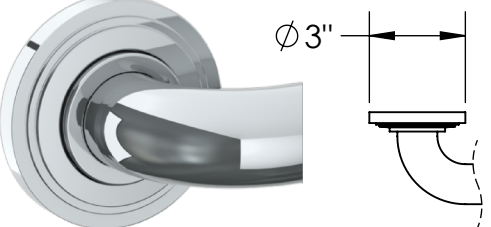
-LFT
Loft 2.0 Collection



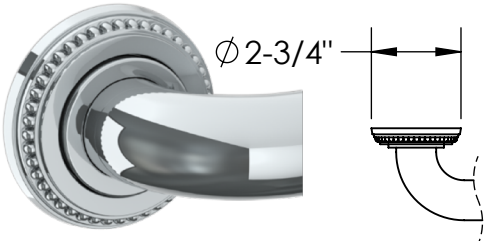
-SEN
Sense Collection



-TRN
Transitional Collection



-VEN
Venetian Collection



NOTES:

- ADA compliant when located and mounted into a structural support per ADA guidelines.
- The wall mounting plates on the grab bar must be mounted to the wall studs or a brace between the wall studs.