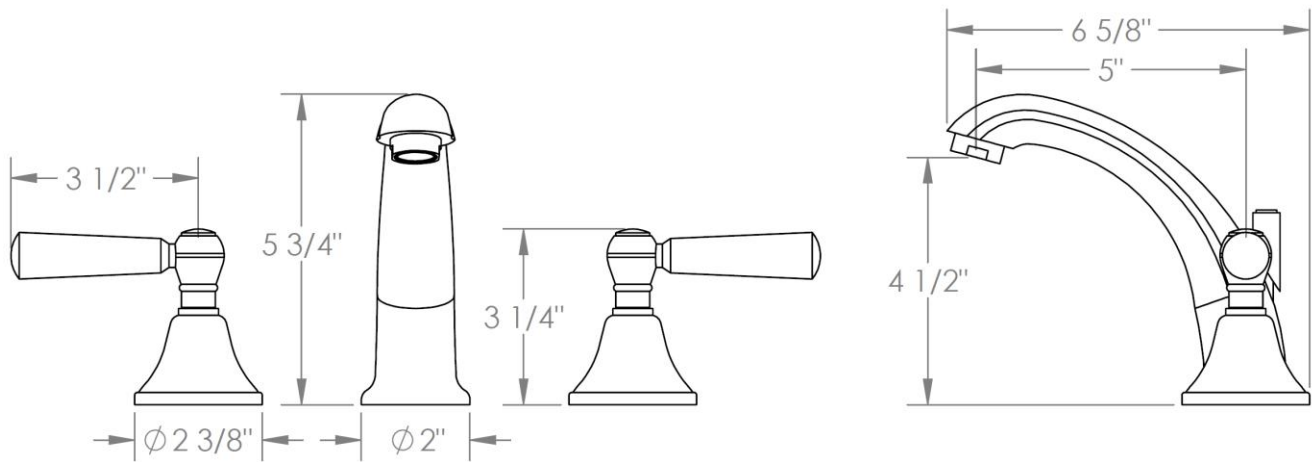


**313-2-\_\_**  
 Deck Mounted 3 Hole Lavatory Set  
 Includes MPU7 soft-touch drain  
 Flow Rate: 1.2 GPM



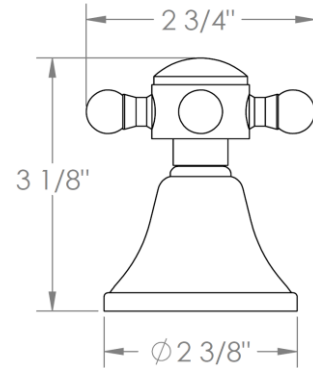
Meets the applicable requirements of ASME A112.18.1-2005/CSA B125.1-05, entitled "Plumbing Supply Fittings"

**WATERMARK DESIGNS** 1/9/2019

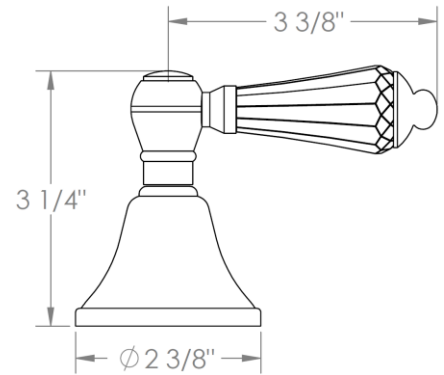
350 Dewitt Ave Brooklyn NY 11207 USA T 718 257 2800 F 718 257 2144 info@watermark-designs.com

## HANDLE TRIM OPTIONS

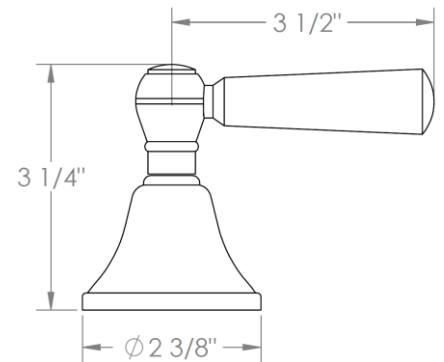
AX – LOS ANGELES



SW – SAN FRANCISCO



WW – BOSTON



Y2 – WILLIAMS

