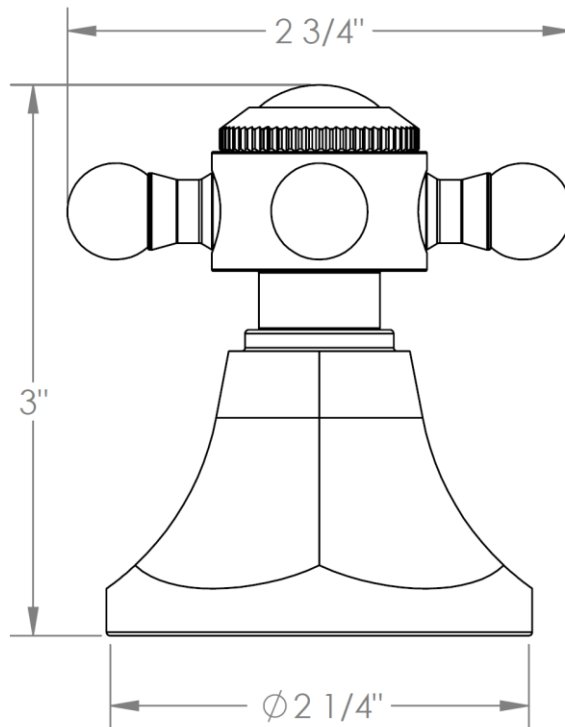


312-WTR3-X

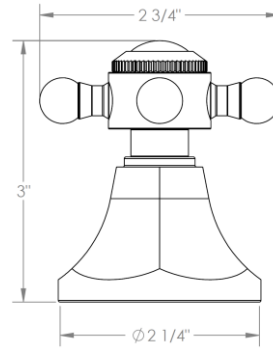
Wall Mounted 3-Valve Shower Trim
For use with SS-503 concealed rough



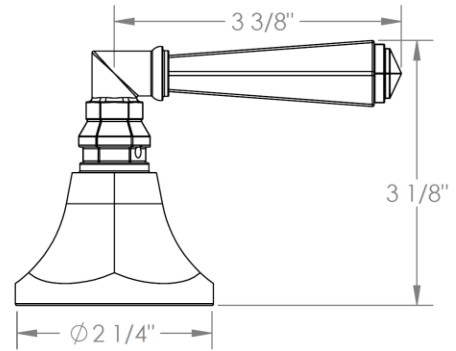
Meets the applicable requirements of ASME A112.18.1-2005/CSA B125.1-05, entitled "Plumbing Supply Fittings"

Gramercy Handle Trim Options

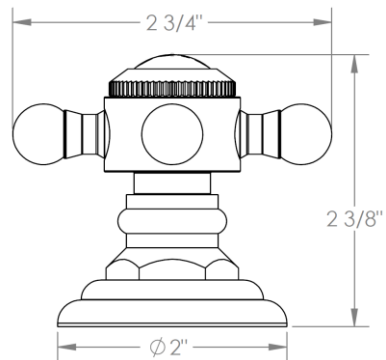
X – OXFORD



Y – LYONS



V – WALES



Y2 – WILLIAMS

