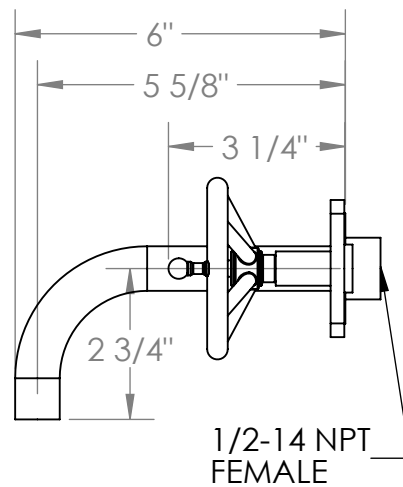
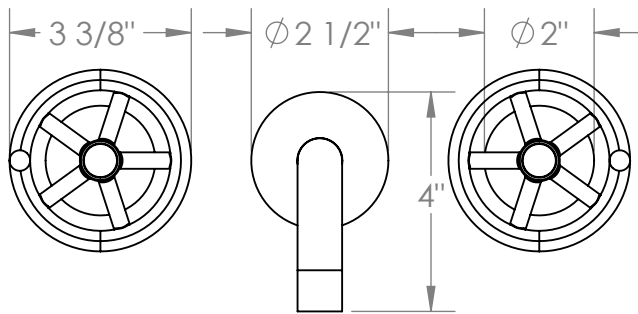


31-2.2S-BKA.1

Wall Mounted Lavatory Widespread

Faucet Flow Rate: 1.2 GPM

Requires SS-THV2.2 Concealed Rough



Meets the applicable requirements of ASME A112.18.1-2005/CSA B125.1-05, entitled "Plumbing Supply Fittings"

WATERMARK DESIGNS 8/20/2019

350 Dewitt Ave Brooklyn NY 11207 USA T 718 257 2800 F 718 257 2144 info@watermark-designs.com