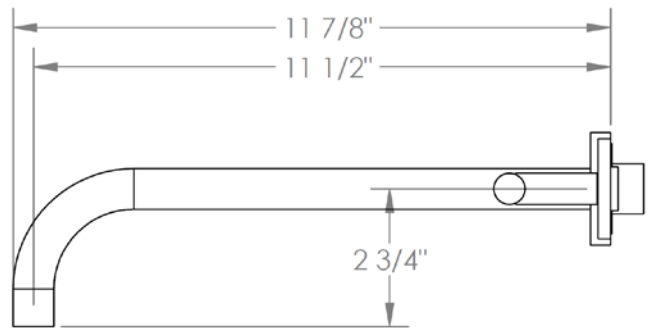
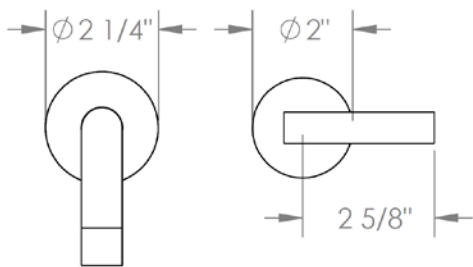


23-1.2L-L8

Wall Mounted 2 Hole Lavatory Set

Requires Rough SS-SHV1.2

Flow Rate: 1.2 GPM



Meets the applicable requirements of ASME A112.18.1-2005/CSA B125.1-05, entitled "Plumbing Supply Fittings"