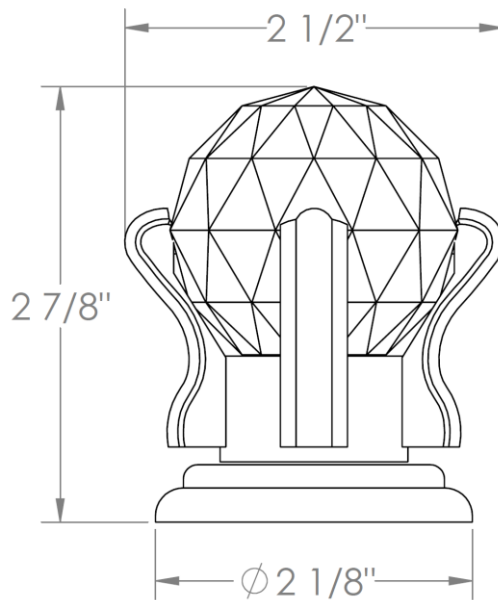


**201-DT-R2**

Trim For Deck Mounted Valve

Requires SS-508-C, SS-508-H or SS-DD4 concealed rough



**WATERMARK DESIGNS 2/28/2019**

350 Dewitt Ave Brooklyn NY 11207 USA T 718 257 2800 F 718 257 2144 info@watermark-designs.com