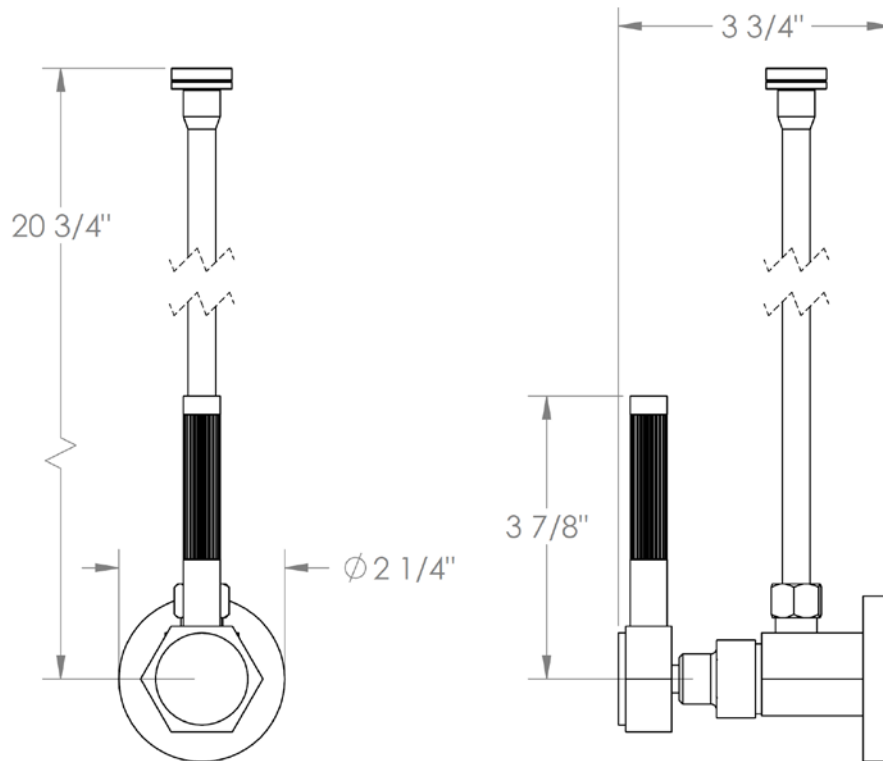
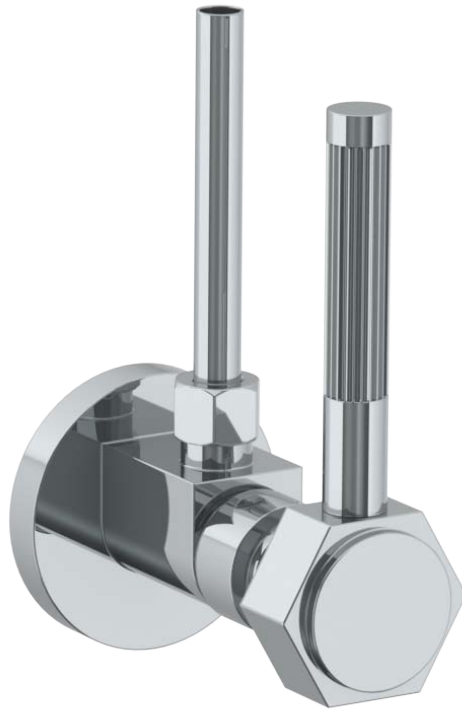


**111-MAS6-SP4**

Angle Stop Kit

1/2" IPS x 3/8" OD Compression



**WATERMARK DESIGNS 3/5/2018**