

# Installation Instructions

## for Deck Mounted Kitchen Bridge Faucets with Side Spray



The 38-7.65-EV4 will be used as an example in this manual.

## IMPORTANT INFORMATION

Thank you for choosing Watermark! We appreciate your commitment to Watermark quality products. Before you install the product, please fully review these installation instructions.

Before installation, unpack the product and inspect it for any damage. Make sure all the parts are present. If not installing immediately, place the product back into its protective packaging.

The appearance of the product may be different than what is shown in this installation manual, but the installation procedure will be the same.

Installation considerations:

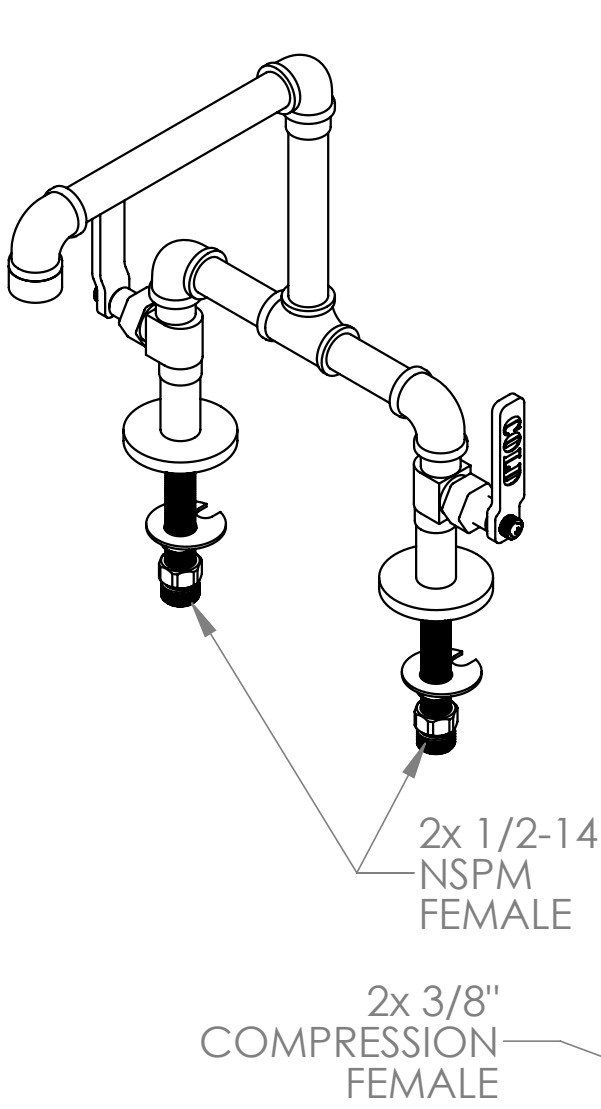
- Professional installation by a licensed plumber is strongly recommended.
- Product should be installed according to local codes and regulations.
- When installing:
  - Use Teflon tape or pipe sealant for threaded connections.
  - DO NOT use plumber's putty on any brass components. This may cause the finish to tarnish and void the warranty. Alkoxy silicone is recommended instead.
  - Flush the lines before and after installation (if applicable).
  - If the lines are sweated, do not overheat casting, which may damage mechanisms.
- Copper adaptors may be required to complete installation.

If you encounter any issues, please contact our technical support team at the number listed at the bottom of this page or email us at: [technical@watermark-designs.com](mailto:technical@watermark-designs.com)

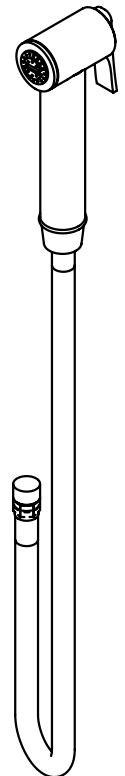
## PARTS BREAKDOWN

### Gearbox

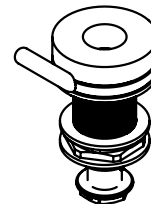
### Faucet Assembly



### Side Spray + Hose



### Spray Base Assembly



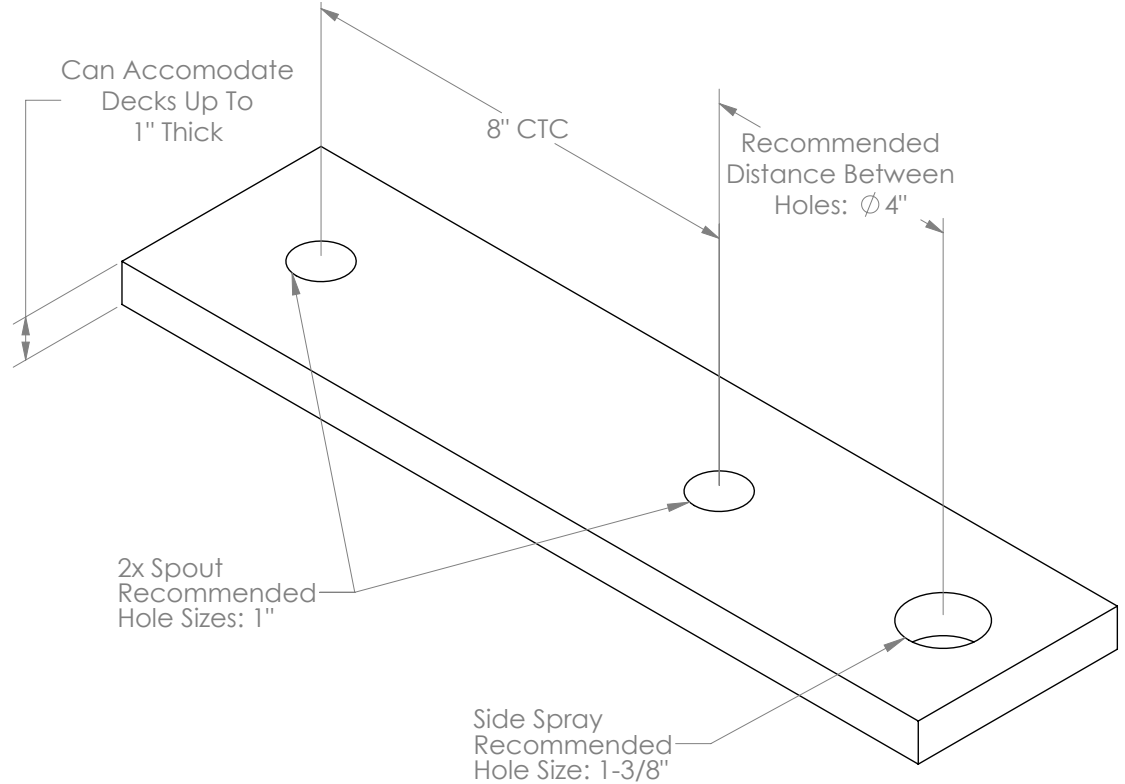
### You will need:

- 1x Wrench
- 1x Channel Lock (if wrench cannot widen to 44mm)
- Teflon Tape
- 2x Small Screwdrivers (optional)

## 1. Prepare the mounting surface

Make 3 holes following the requirements shown on the drawing.

The two holes for the bridge faucet must be 8" apart.

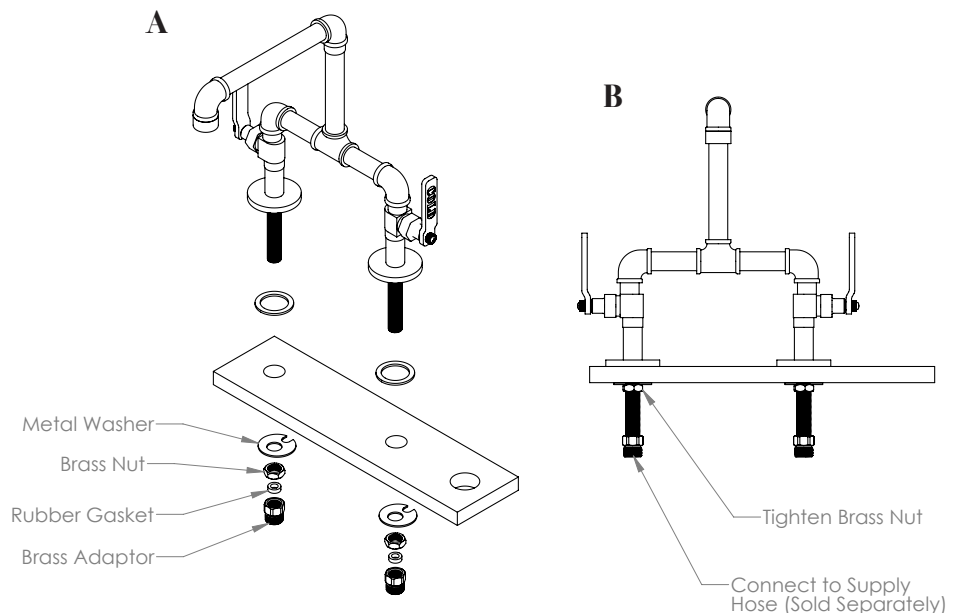


## 2. Install the spout

**[A]** Insert the bridge faucet into the holes. Add the metal washers and brass nuts to the nipples underneath the mounting surface. Tighten the brass nut to secure the faucet to the deck.

**[B]** Insert the rubber gaskets into the two adaptors. Thread the two adaptors onto the ends of the faucet nipples and tighten them.

Connect the ends to the adaptors to supply hoses (sold separately).

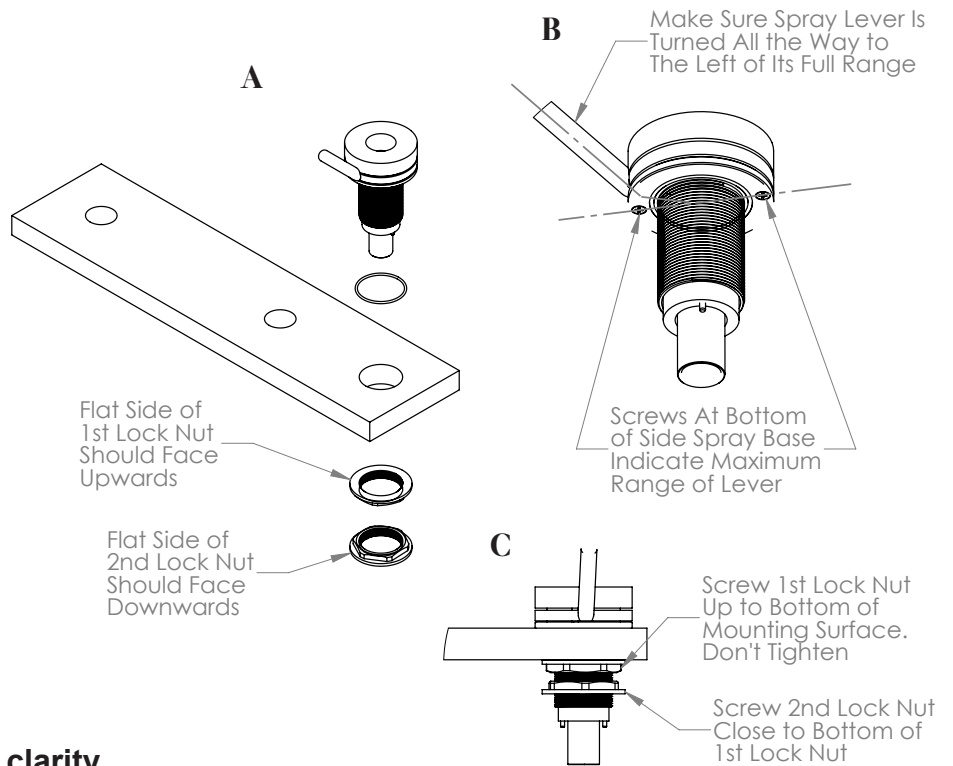


## 3. Install the spray base

**[A]** Insert the spray base into a hole on the mounting surface. Thread the two lock nuts on the nipple following the orientation shown.

**[B]** When installing, make sure the lever is in the leftmost position. The two screws at the bottom of the spray base indicate the maximum range the lever can turn.

**[C]** Thread the 1st lock nut up to the bottom of the mounting surface, but don't tighten it yet. Thread the 2nd lock nut up to the 1st lock nut.



**NOTE:** Faucet components hidden for clarity.

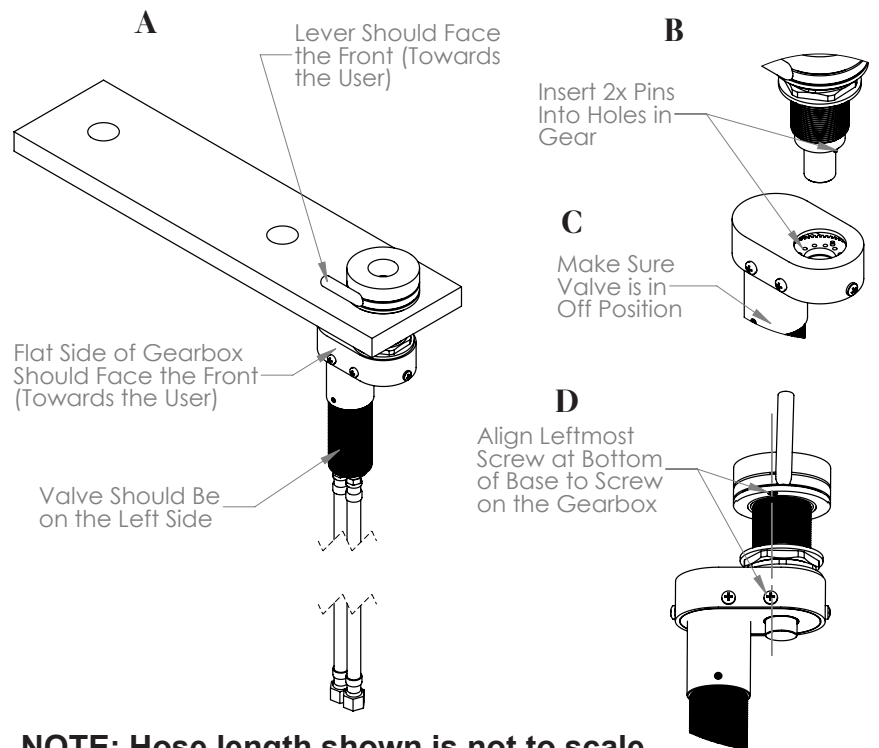
## 4. Install the gearbox onto the spray base

**[A]** Orient the gearbox and lever. Position the lever towards the front while maintaining the leftmost position specified in step 3B. The flat side of the gearbox should face the front and the valve the left side.

**[B]** The two pins at the bottom of the base should go into two of the holes on the white gear inside the gearbox.

**[C]** The valve should be in the off position when installing it. This can be confirmed by using the two pins in step B (or two small screwdrivers) to turn the gear in the gearbox clockwise until it can't turn any further.

**[D]** The screw at the bottom of the base and the indicated screw on the gearbox should be vertically aligned when inserting the two pins into the gear.



**NOTE:** Hose length shown is not to scale

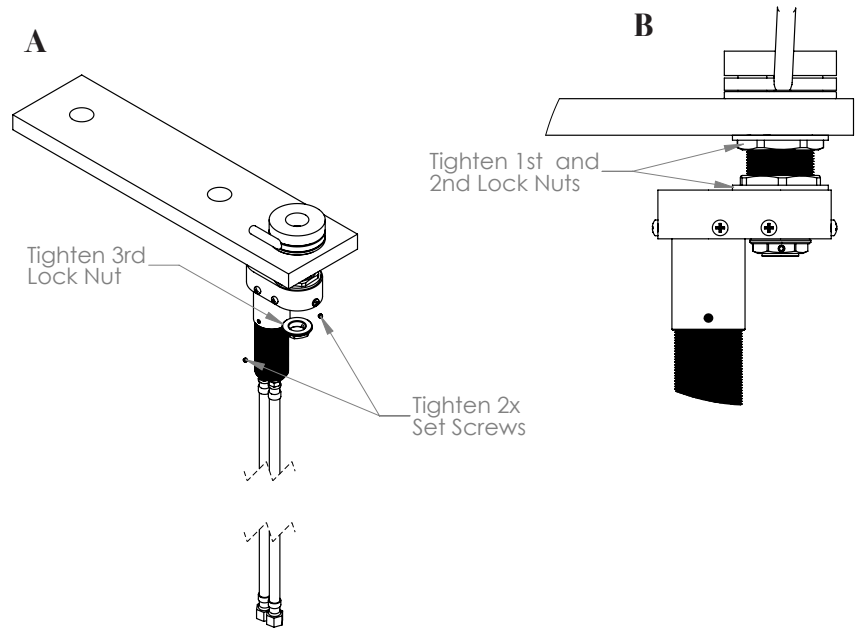
## 5. Secure the spray base and gearbox

[A] Thread the 3rd lock nut onto the bottom of the spray base nipple and tighten it. Then tighten the 2x set screws on the side of the 3rd lock nut.

[B] Tighten the 1st lock nut against the bottom of the mounting surface to secure the base. Tighten the second lock nut against the top of the gearbox.

Test the installation by turning the lever. The gearbox should be fixed in place but if it rotates, then the 3rd lock nut was not tightened enough.

Loosen the two set screws and 2nd lock nut before attempting to tighten the 3rd lock nut further.

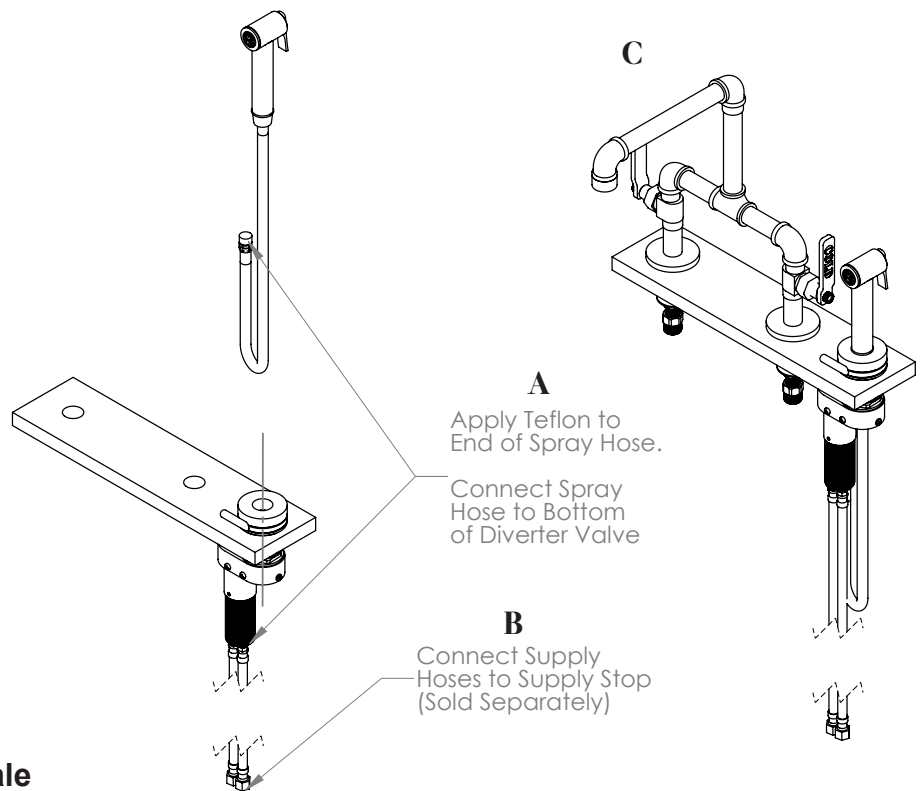


## 6. Install the side spray and attach the hoses

[A] Thread the end of the spray hose through the opening in the spray base. Apply a generous amount of teflon tape to the male thread. Connect the spray hose to the bottom of the valve.

[B] Connect the two valve supply hoses to a supply stop (sold separately).

[C] Finished installation should resemble image shown.



**NOTE: Hose length shown is not to scale**