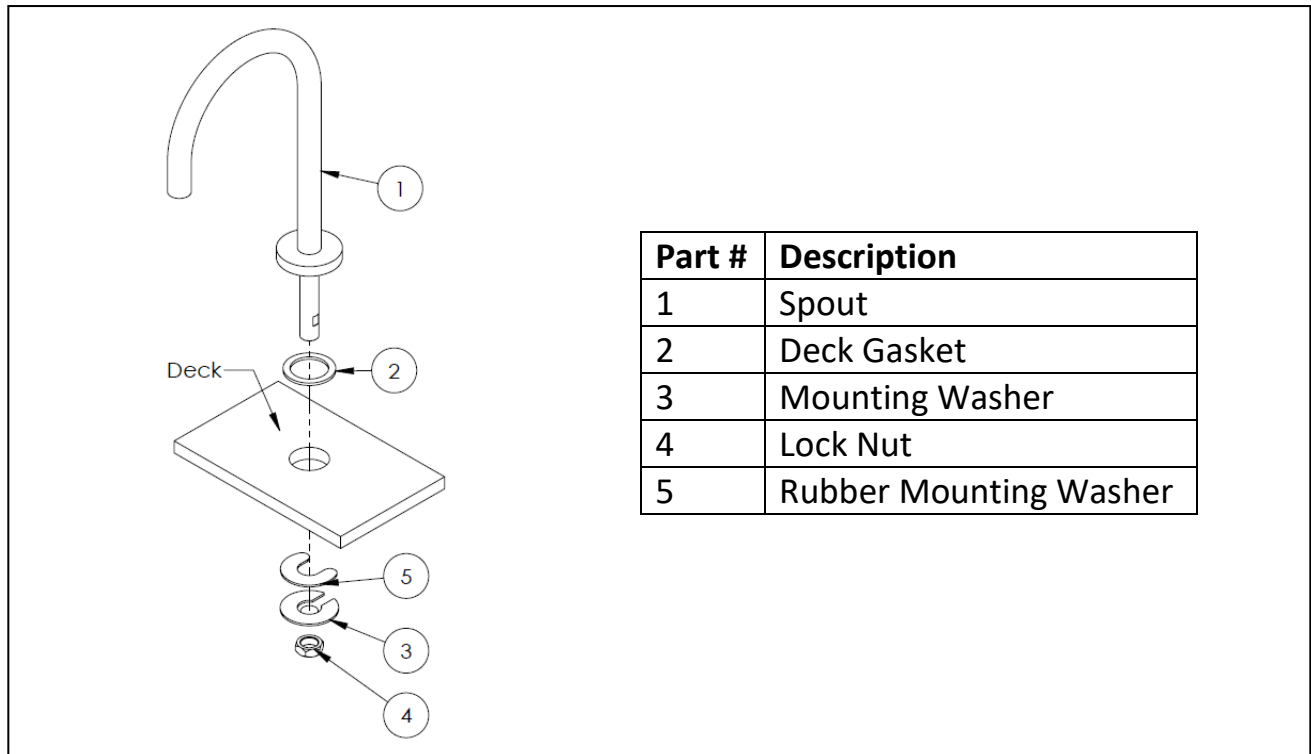
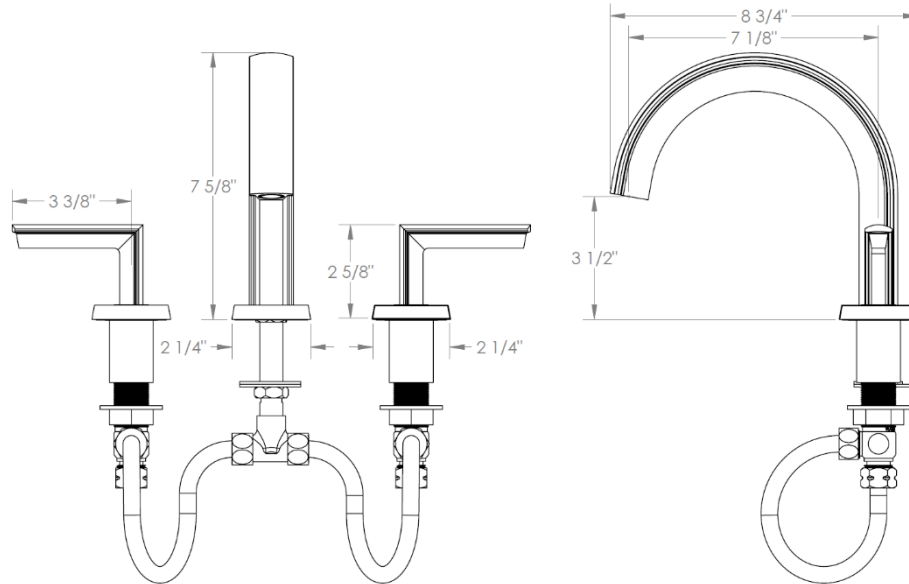


### FEATURES

- ¼ turn washerless ceramic disc valve cartridges
- Flexible hose connection for 8" to 16" spread installations
- Flow rate 1.2 gpm (4.5 lpm) maximum flow rate
- Solid brass construction
- Listed by IAPMO, CSA, NSF, and other municipalities
- Warranty:
  - Limited lifetime warranty (residential use)
  - One year (commercial use)
- Shipping weight (lbs.) 10
- Shipping dimensions (in.): 29x12x4



Carefully remove all parts from the box.

**1. Begin by first installing the Spout.**

- Remove the Mounting Washers and Lock Nut (3, 4, 5) from the Spout (1).
- Drop the Spout through the hole in your countertop or sink.
- Tighten Lock Nut (4) against the underside of the mounting washers under the deck (3, 5).

**2. Identify your Hot and Cold Valves.**

- Remove all trim from Valve Assembly (including Lock Nut where applicable), leaving Bottom Lock Nut.
- Push the valve from the bottom of the deck through the hole on the deck and thread the Lock Nut onto the valve. Make sure the top of the Lock Nut is flushed with the end of cartridge stem.
- Put the entire handle trim onto the Top Lock Nut, make sure the broached hole on the handle engages with the cartridge stem.
- Thread the handle escutcheon onto the top locknut until it bottoms out to the deck.
- Adjust position of handle then tighten the locknut on the valve.

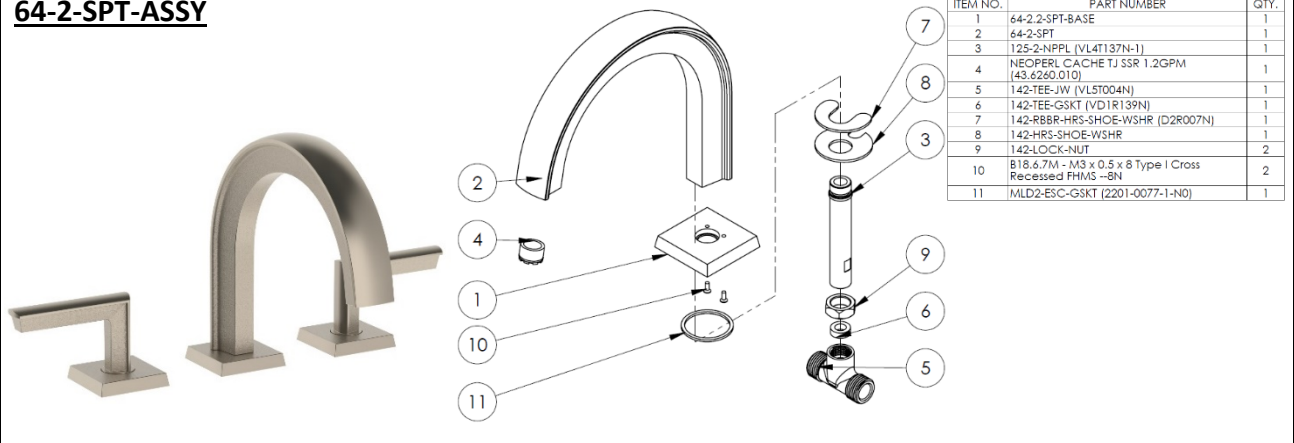
**3. Connect the two Flex Hoses to "T" Assembly and to the HOT and COLD valves, respectively. These hoses can be bent or twisted but be careful not to kink the hoses or you will have limited water supply and excessive noise from the faucet.**

**4. Begin by bleeding the water lines before connecting to the valves. Connect water supplies to bottom of each valve.**

**5. Remove flow restrictors found in both inlets of "T" Assembly and flush faucet by running both Hot and Cold water in fully open position. Replace the flow restrictors.**

**6. Check for leaks. If leaks or problems occur, re-tighten all nuts before consulting a plumber.**

**64-2-SPT-ASSY**



**64-2X-SPT-ASSY**



### HANDLE TRIM

**BR4**

ITEM NO.	PART NUMBER	QTY.
1	BR4-ESC	1
2	BR4-DISC	1
3	5612-313-62	2
4	BR4-LVR	1
5	B18.6.7M - M4 x 0.7 x 25 Type I Cross Recessed FHMS --25N	1
6	BR4-TOP-LOCK-NUT	1
7	BR4-ESC-GSKT (2201-0065-1- NO)	1
8	BR4-NUT	1

#### IMPORTANT INSTALLATION INFORMATION

- USE TEFLON TAPE OR PIPE SEALANT FOR THREADED CONNECTIONS
- DO NOT USE PLUMBER'S PUTTY ON ANY OF THE BRASS COMPONENTS  
This will cause the finish to tarnish and void the warranty. A non-corrosive Alkoxy Silicone is recommended.
- DURING SWEATING OF LINES DO NOT OVERHEAT CASTING  
Overheating may cause damage to internal mechanism
- COPPER ADAPTORS MAY BE REQUIRED TO COMPLETE YOUR INSTALLATION

**For technical support, please call 718-257-2800**

Rev. 1/1