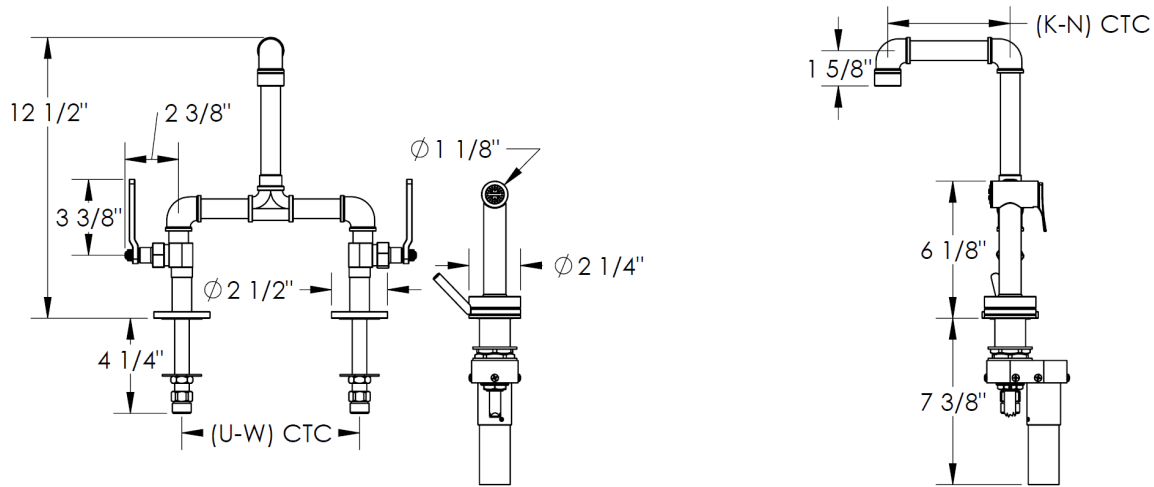


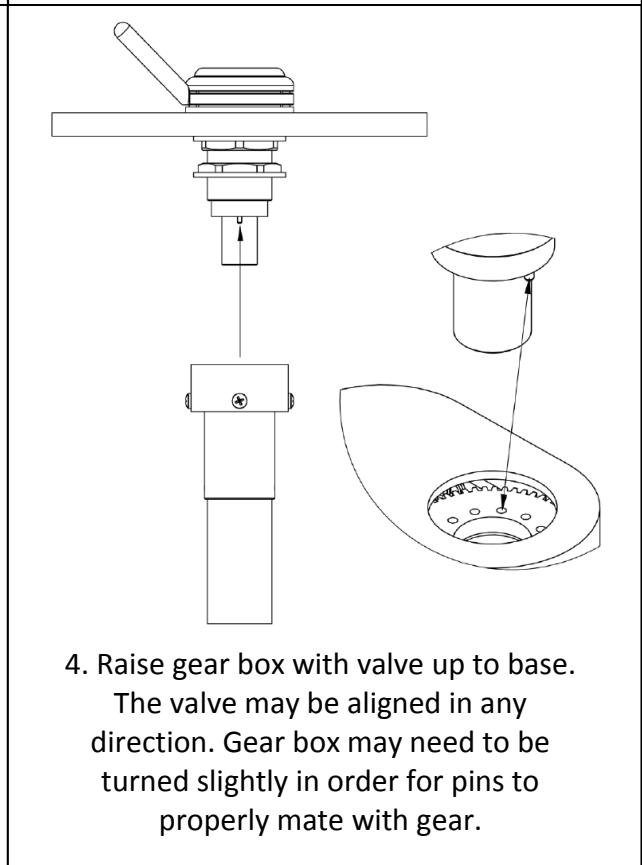
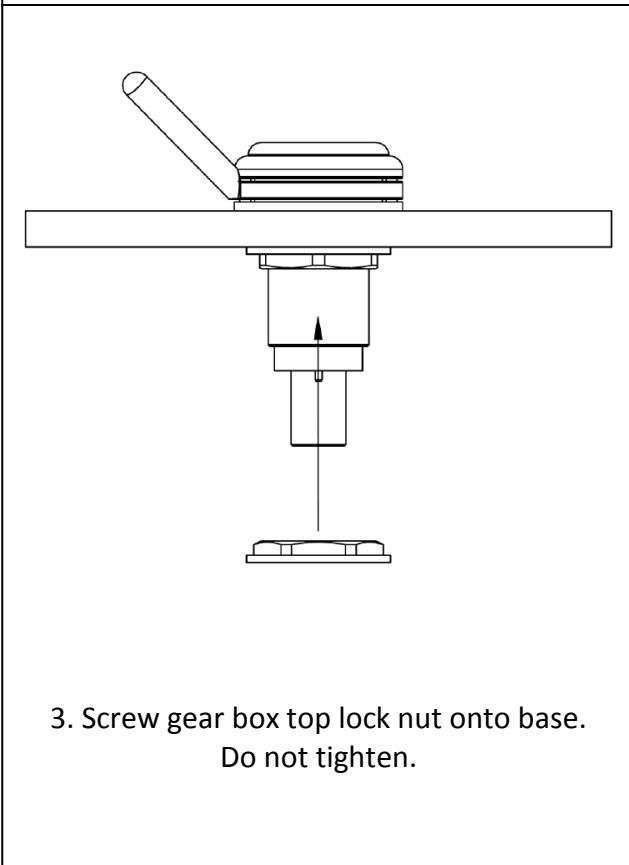
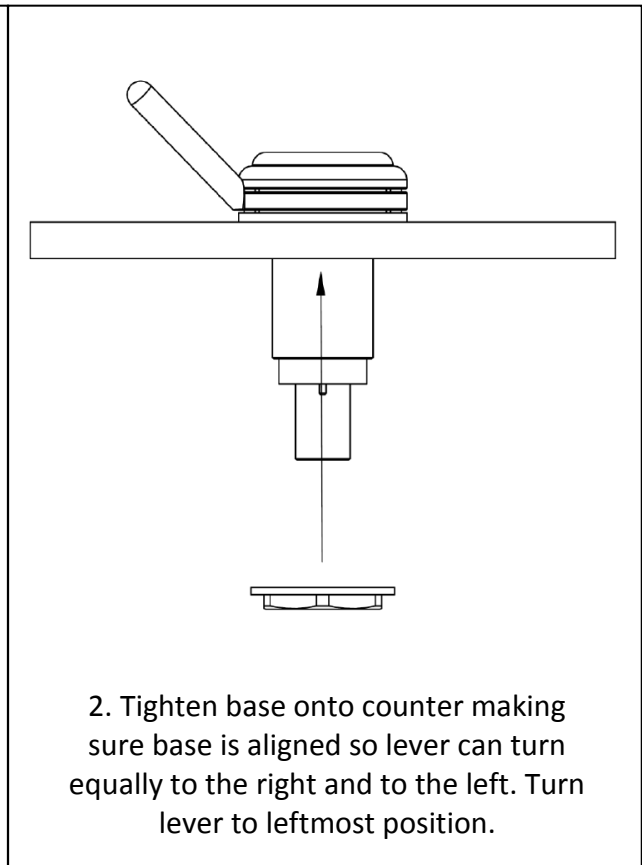
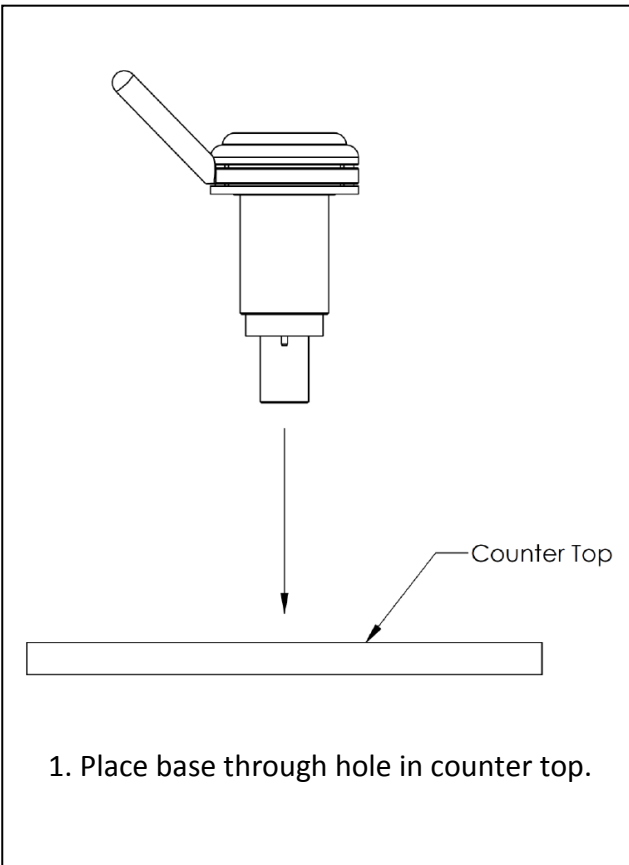
FEATURES

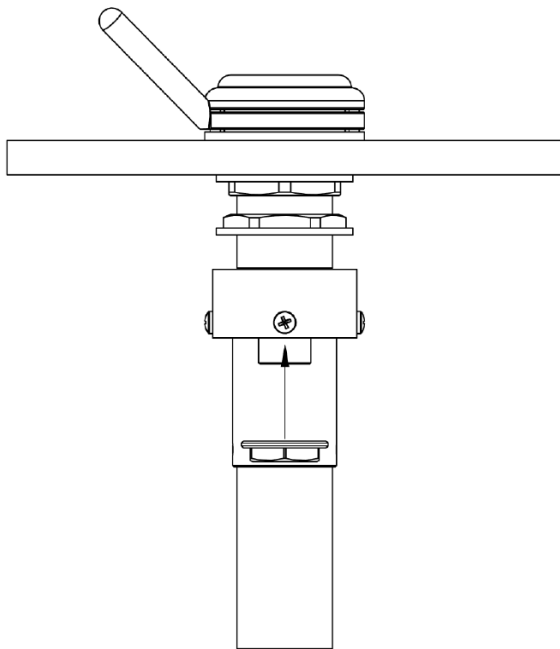
- ¼ turn washerless ceramic disc valve cartridges
- Flexible hose connections
- Flow rate 1.5 gpm (5.7 lpm) maximum flow rate
- Solid brass construction
- Warranty:
 - Limited lifetime warranty (residential use)
 - One year (commercial use)
- Shipping weight (lbs.) 10
- Shipping dimensions (in.): 29x12x4



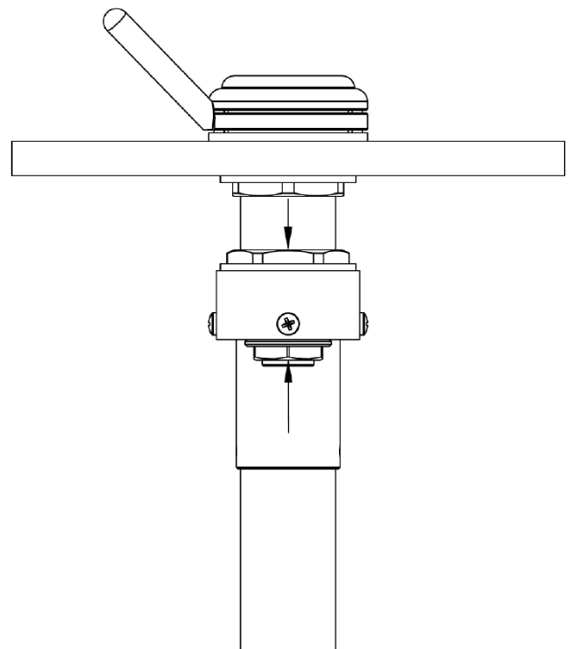
K=5.5"
L=6.5"
M=7.5"
N=8.5"
U=8"
V=12"
W=18"

ITEM NO.	PART NUMBER	QTY.
4H/4C	CRT502 (HOT/COLD)	2
11	38-2.3-ESC	2
12	EV4-LVR-H2	1
13	EV4-LVR-C2	1
15	142-HRS-SHOE-WSHR	2
16	142-LOCK-NUT	2
17	.375-FNPS-.5-MNPS-ADAP	2
18	142-TEE-GSKT	2
19	EV4-POST-CAP	2
20	CR-PHMS 0.164-32x0.375x0.375-S	2
21	NEOPERL CACHE AERATOR	1
22	CV15 SHORT	2
23	22-2-1.8IN GASKET	2
26	AS568 - 013	2
27	SWVL-PLSTC-BSHNG	1
28	SSCUPSKT 0.19-32x0.1875-HX-S	1
29	MSA6 SPRAY W/ HOSE	1
30	SIDE SPRAY BASE	1
31	SIDE SPRAY BASE LOCK NUT	1
32	GEAR BOX TOP LOCK NUT	1
33	GEAR BOX WITH VALVE	1
34	LOCK NUT SET SCREW	2
35	GEAR BOX BOTTOM LOCK NUT	1

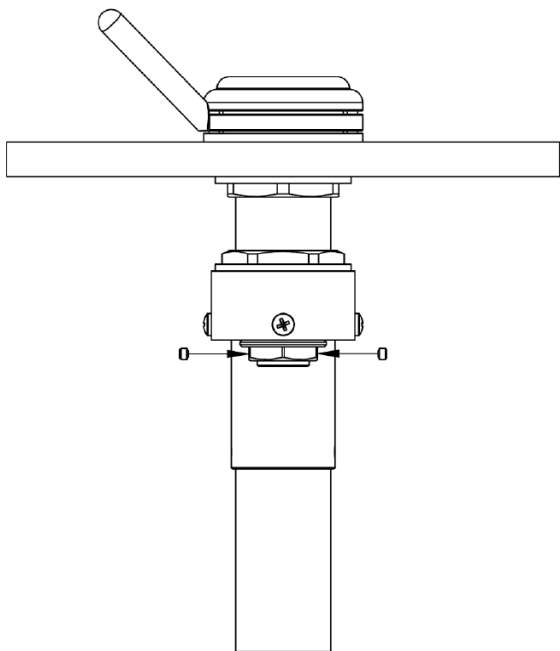




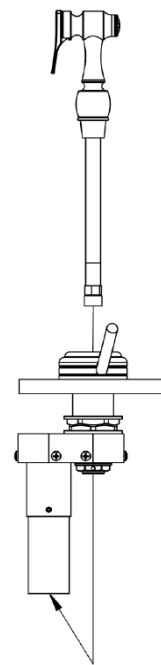
5. Screw gear box bottom lock nut onto base until it contacts the bottom of the gear box. Do not tighten.



6. Lower gear box top lock nut until it touches the top of the gear box. Tighten top and bottom lock nuts.



7. Tighten gear box bottom lock nut set screws. One or both set screws may be tightened.



8. Put hose through hole in base and screw into correct port on valve.

9. Attach cold and hot supply hoses to valve.

10. Verify handle and valve are aligned properly by pushing the button on the spray and turning the handle from all the way left to all the way right. When in the leftmost position the water flow should be off. As the handle is turned to the right the water should progress from off – low cold – high cold – high mixed – high hot – low hot. If turning the handle from the leftmost position to the rightmost position does not produce the full range of flow please see the troubleshooting guide.

Troubleshooting Guide

If the valve cannot be opened or closed fully:

1. Loosen gear box bottom lock nut and lower gear box until the gear disengages from the pin.
2. Turn the handle all the way to the right.
3. Raise the gear box so the pins mates with the gear. The gear box should not be tightened on at this point.
4. Holding the gear box in place, turn the handle to the left until it stops.
5. Lower the gear box to disengage from pins.
6. Turn the handle all the way to the left. Repeat steps 4 – 7 of the installation instructions.

IMPORTANT INSTALLATION INFORMATION

- USE TEFLON TAPE OR PIPE SEALANT FOR THREADED CONNECTIONS
- DO NOT USE PLUMBER'S PUTTY ON ANY OF THE BRASS COMPONENTS
This will cause the finish to tarnish and void the warranty. A non-corrosive Alkoxy Silicone is recommended.
- DURING SWEATING OF LINES DO NOT OVERHEAT CASTING
Overheating may cause damage to internal mechanism
- COPPER ADAPTORS MAY BE REQUIRED TO COMPLETE YOUR INSTALLATION

For technical support, please call 718-257-2800