

Drake® WASHLET®+ S500e Two-Piece Toilet - 1.6 GPF, 10" Rough-In

FEATURES

- Concealed supply connection for seamless installation
- TORNADO FLUSH® system, (1.6 GPF/6.0 LPF)
- CEFIONTECT® ceramic glaze minimizes waste from sticking to porous ceramic surfaces.
- 10" Rough-in, supply line sold separately
- Universal Height
- Chrome plated trip lever
- Auto flush available as upgrade
- Elongated front bowl and WASHLET+ S500e and tank set
- EWATER+® auto-cleans wand and bowl
- On-demand remote function cleans wand with EWATER+
- PREMIST® of bowl before each use
- Remote control operated



MODELS

- **MW7763046CSFGA.10 (#01)**
With CEFIONTECT ceramic glaze, WASHLET+ S500e with contemporary design and Auto Flush
- **C776CEFGT40.10**
Elongated bowl with CEFIONTECT
- **ST776SA**
Tank and cover only
- **SW3046AT40**
WASHLET+ S500e
- **THU767**
Auto Flush Kit
- **MW7763046CSFG.10 (#01)**
Same as MW7763046CSFGA.10 without Auto Flush

OPTIONAL COMPONENTS

- **THU808(#01, #03, #11, #12, #51, #PN, #BN, #RB)-A**
Trip Lever - Cotton, Bone, Colonial White, Sedona Beige, Ebony, Polished Nickel, Brushed Nickel, Oil Rubbed Bronze)

COLORS/FINISHES

- #01 Cotton

-  **TORNADO FLUSH**
-  **EWATER+**
-  **CEFIONTECT**
-  **Auto Flush**
-  **UNIVERSAL HEIGHT**

PRODUCT SPECIFICATION

The two-piece TORNADO FLUSH toilet shall be 1.6 GPF/6.0 LPF. Universal Height Toilet with CEFIONTECT glaze finish. Toilet shall be 10" rough-in, elongated front bowl and chrome trip lever. Toilet shall be TOTO Model MW7763046CSFG____.10#01. See TOTO Specification sheet SW3046AT40 for details on required WASHLET.

CODES/STANDARDS

- Meets and exceeds ASME A112.19.2/CSA B45.1
- Certifications: IAPMO(cUPC®)
- Code Compliance: UPC, IPC, NSPC, NPC Canada, and others
- ADA compliant (when installed with trip lever located on the approach side)



MW7763046CSFG(A).10

Drake® WASHLET®+ S500e Two-Piece Toilet - 1.6 GPF, 10" Rough-In

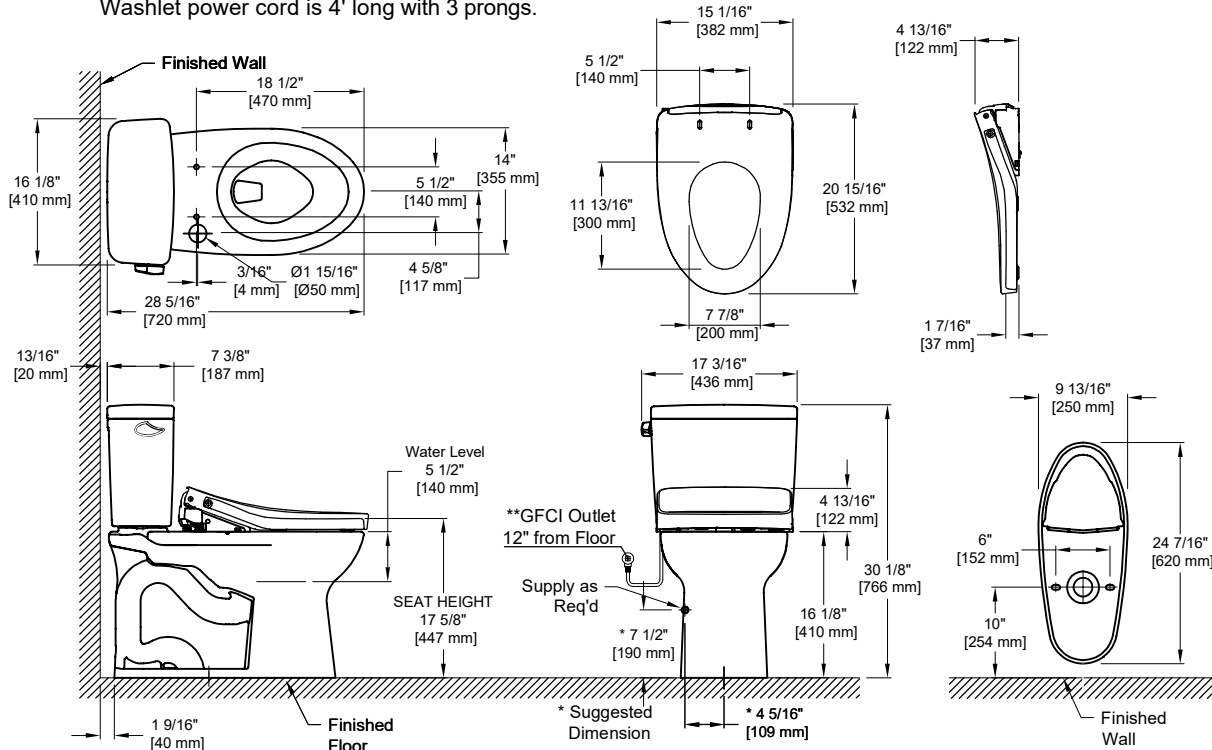
SPECIFICATIONS

Water Use	1.6 GPF (6.0 LPF)
Flush System	TORNADO FLUSH®
Min. Water Pressure	8 psi (Flowing)
Water Surface	9" x 6-7/8"
Trap Diameter	2-1/8"
Rough-in	10"
Trap Seal	2-1/8"
Warranty	One Year Limited Warranty
Material	Vitreous China
Shipping Weight	C776CEFGT40.10 62 lbs. ST776SA 32 lbs.
Shipping Dimensions	C776CEFGT40.10 30-1/8" L x 15-1/4" W1 x 10-7/8" W2 x 17-3/4" H ST776SA 18-3/4" L x 8-7/8" W x 16-1/4" H

See SW3046AT40 Specification Sheet for details on included WASHLET.

DIMENSIONS

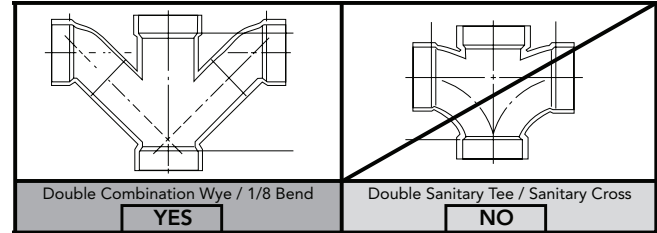
**GFCI outlet of 120V, 10amps.
Washlet power cord is 4' long with 3 prongs.



INSTALLATION NOTES

Back-to-Back Toilet Installations:

TOTO recommends the use of a nationally listed, double sanitary tee-wye only, in vertical waste stacks, in accordance with the stipulations noted in the majority of nationally recognized plumbing codes.



To maintain adequate wall gap between the back of the tank and wall, mount the floor flange at a nominal 10" rough-in distance.

TOTO®

These dimensions and specifications are subject to change without notice