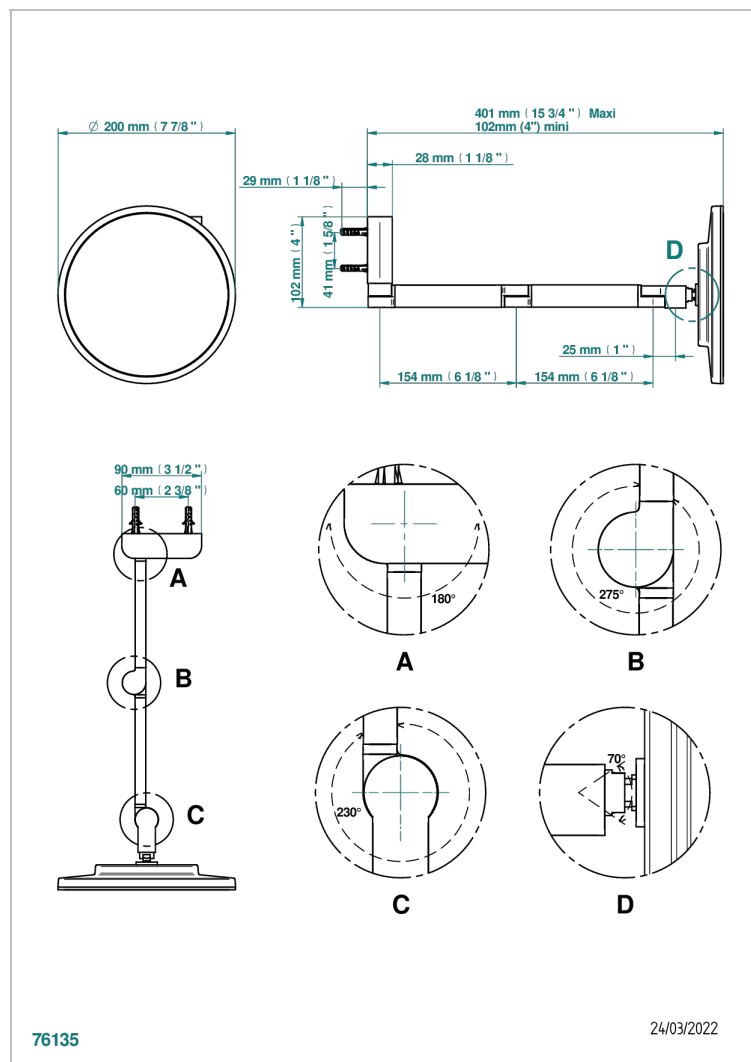


# ICON-X WITH LEVER HANDLES

U7H-669C

Wall mounted Round Magnifying mirror (x5), double arm, Classe 1, LED illuminated with continuously adjustable light color

2700 - 5600 K



76135

24/03/2022

## CHARACTERISTIC

- Icon-x with lever handles
- Wall mounted Round Magnifying mirror (x5), double arm, Classe 1, LED illuminated with continuously adjustable light color 2700 - 5600 K

## AVAILABLE FINITIONS

Blush PVD - H62  
Brass color PVD - H49  
Brown bronze color PVD - F33  
Chrome polished - A02  
Gold color PVD - H52  
Gold mat - F07

Gold polished - F01  
Graphite PVD - H64  
Matt Umber PVD - H67  
Matt blush PVD - H60  
Matt brass color PVD - H50  
Matt brown bronze color PVD - F34

Matt chrome (American satin) - C02  
Matt gold color PVD - H53  
Matt graphite PVD - H65  
Matt nickel (American satin) - C01  
Matt nickel color PVD - H56  
Nickel antique / Sovereign - H28

Nickel color PVD - H55  
Nickel polished - B01  
Soft gold - F30  
Soft matt gold - F31  
Umber PVD - H66