

Ideal HydroStation™

SPECIFICATIONS

IHS-1-V-BA IHS-1-V-GT



Natural Golden Bamboo



Graphite Wood Composite

IHS-1-V-WH



Designer White Resin

IHS-1-V-GR



Exclusive Gray Resin

Specifications

Single bowl
Users: 1
Hydro Tool included: One
Galley Hot & Cold Tap recommended: One
Outside dimensions: 9" x 13 1/2" x 1 5/8"
Countertop cutout: 7 1/2" x 12"
Basin Drain Opening: 2"
Basin area: 6 1/2" x 12"

Basin (HSO-1-V-SS)

16GA 316L stainless steel indoor/outdoor
SilentArmor™ sound reduction technology
Angel finish
One tier design
Star™ groove pattern
Drain included
Drain cover included
Limited Lifetime Warranty
Made in the USA
ASME A112.19.3/CSA B45.4 certified

Hydro Tool included (HP-7X7)

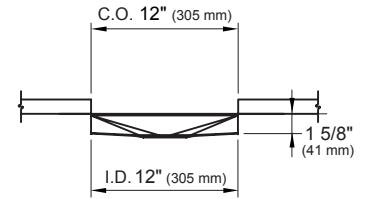
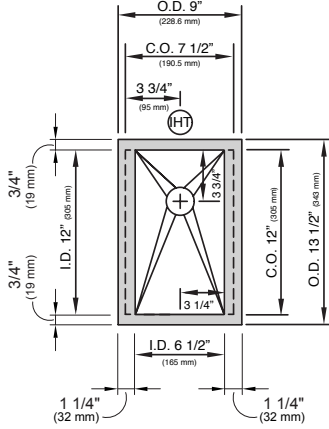


(1) HydroPlate
7" x 7"
HP-7X7-xx

Ideal HydroStation™

SPECIFICATIONS

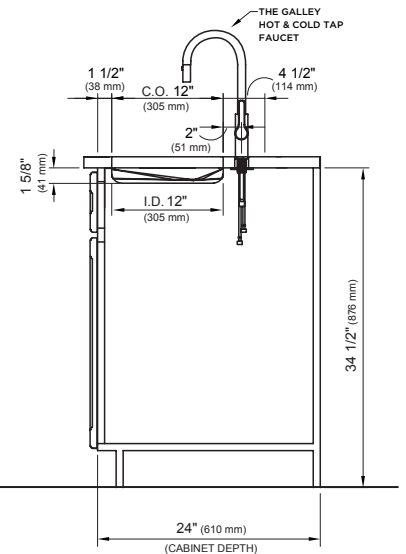
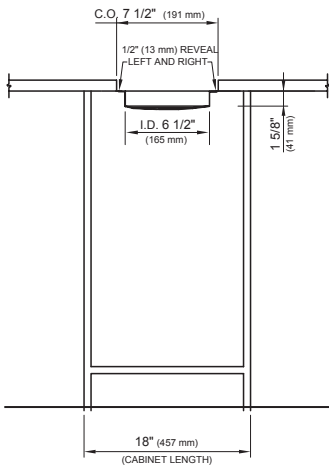
Tap Hole Specifications



SUGGESTED GALLEY TAP AND TAP ACCESSORIES PLACEMENT GUIDE

Suggested maximum inside corner radius of countertop cutout 3/8"
Galley Hot & Cold Tap 1 3/8" min hole diameter (1 1/2" min hole diameter for fast water jet cut)
Center Tap hole diameter 2" behind cutout

Countertop Cutout Plan



STAINLESS STEEL COMPLIANCE ASME A112. 19.3-2008/CSA B45.4-08

WE RESERVE THE RIGHT TO MAKE REVISIONS WITHOUT NOTICE IN THE DESIGN OF PRODUCTS OR IN PACKAGING UNLESS THIS RIGHT HAS SPECIFICALLY BEEN WAIVED AT THE TIME THE ORDER IS ACCEPTED.

DWG and DXF templates available on our website:

[TheGalley.com/specifications](https://www.thegalley.com/specifications)

Questions? For additional assistance, please contact
The Galley's Customer Service Department at 800.375.4255