

Ideal BarStation® 18

SPECIFICATIONS

IBS-18-C-WA



American Black Walnut

IBS-18-C-GT



Graphite Wood Composite

IBS-18-C-BA



Natural Golden Bamboo

IBS-18-C-GR



Exclusive Gray Resin

IBS-18-C-WH



Designer White Resin

Bar Tools included (BKT-3T)

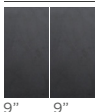


- | | | |
|---|--|---|
| (1) Upper Deck Section†
6" x 19"
UD-06-I-xx | (1) Upper Tier Garnish Board
6" x 18"
SB-06-U-xx | (1) Lower Tier Mini Drying Rack
6" x 17"
DR-06-L-xx |
|---|--|---|

† The Upper Deck requires a 1/4" clearance below the surface of the countertop. If the countertop thickness is 3/4" or less, Walnut or Bamboo Upper Deck sections will not have the clearance to function above the Upper Tier Culinary Tools.

Upper Deck

Cover set **UD-18-2P-WA/GT/BA/GR/WH** Walnut, Graphite, Bamboo, Gray or White Resin



(1) 6"
Included in BKT

Sections Walnut, Graphite, Bamboo, Gray or White Resin



Specifications

Single bowl
Users: 1
Bar Tools included: Three
Galley BarTap, recommended: One
Outside dimensions: 15 1/2" x 19 1/2" x 10 5/16"
Interior dimensions: 14" x 17" x 10"
Countertop cutout: 14 1/2" x 18"
Basin area: 14" x 16"
Minimum cabinet size: 18" or 40cm

Basin (KSO-18-C-SS)

16GA 316L stainless steel indoor/outdoor
SilentArmor™ sound reduction technology
Angel finish
Three tier design
Star™ groove pattern
Center drain
Drain cover included
Limited Lifetime Warranty
Made in the USA
ASME A112.19.3/CSA B45.4 certified
cUPC™ certified

Customize Your Galley

- | | |
|------------------|-------------------------------|
| Add 7-12" length | 9" depth |
| Add 1-6" length | ThinTop™ |
| Add 18" DryDock | WorkTop™ |
| Add 12" DryDock | *Color coded labels available |
| Apron front | |

Recommended Basin Accessories & citrine.

Bottom Grate set **BG-18-C-1-SS** Stainless Steel



13 1/2"

Strainer **M-DRN-MSS**
Angel Finish 304 Stainless Steel



Disposal Strainer **G-DRN-MSS**
Angel Finish 304 Stainless Steel



Auto Strainer Angel Finish 304 Stainless Steel with Polished or Matte knob



A-DRN-PSS
A-DRN-MSS

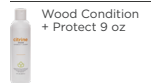
A-DRN-MSS shown

CIT-09-SS-C



Stainless Steel Clean + Polish 9 oz

CIT-09-WD-C



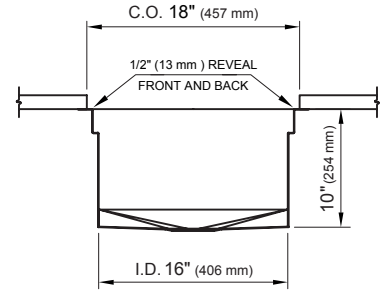
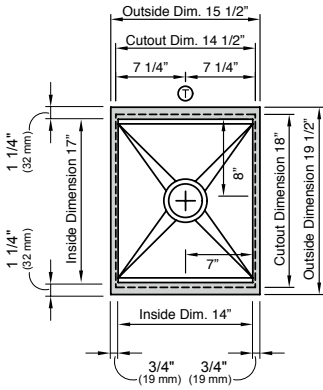
Wood Condition + Protect 9 oz

CIT-04-WD-B



Wood Finishing Balm 4 oz

Tap Hole Specifications



SUGGESTED GALLEY TAP PLACEMENT GUIDE

Suggested maximum inside corner radius of countertop cutout 3/8"

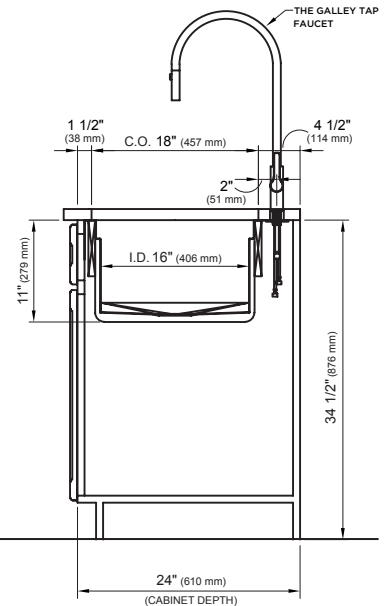
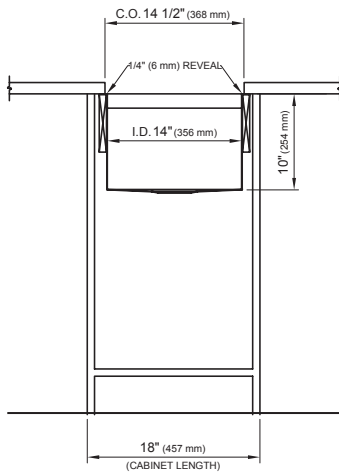
① Galley BarTap- 1 3/8" min to 1 1/2" max hole diameter

Center Tap hole diameters 2" behind cutout

Note: Galley Hot & Cold Tap requires a minimum 8" clearance to center if installed to the right of the Galley Tap

Call 800.375.4255 or email customercare@thegalley.com
for additional guidance on Tap and Tap Accessory placements

Countertop Cutout Plan



STAINLESS STEEL COMPLIANCE ASME A112. 19.3-2008/CSA B45.4-08

WE RESERVE THE RIGHT TO MAKE REVISIONS WITHOUT NOTICE IN THE DESIGN OF PRODUCTS OR IN PACKAGING UNLESS THIS RIGHT HAS SPECIFICALLY BEEN WAIVED AT THE TIME THE ORDER IS ACCEPTED.

DWG and DXF templates available on our website:

TheGalley.com/specification-library

Questions? For additional assistance, please contact
The Galley's Customer Care Department at 800.375.4255