

LUXURY ITALIAN

F U R N I T U R E  
It's all about the experience



BADEN HAUS S.p.A.  
SINCE 1979  
www.badenhaus.it

# MIAMI

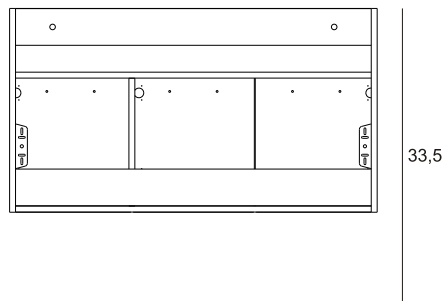
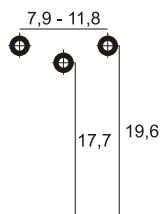
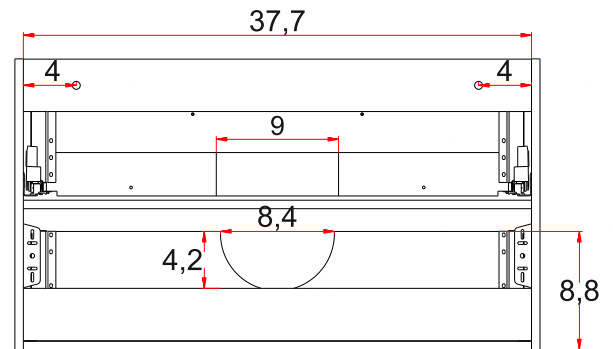
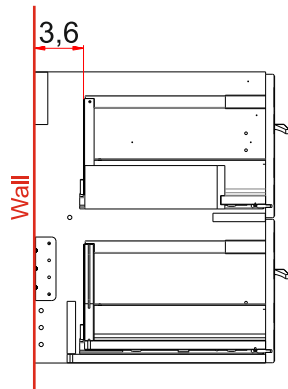
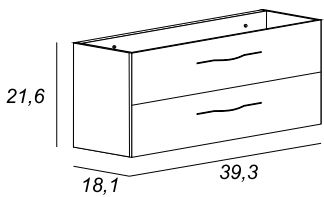
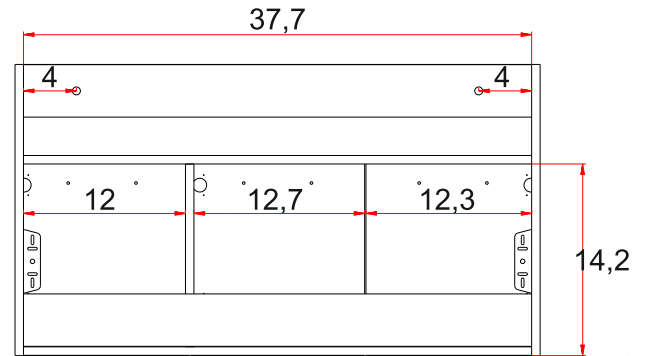
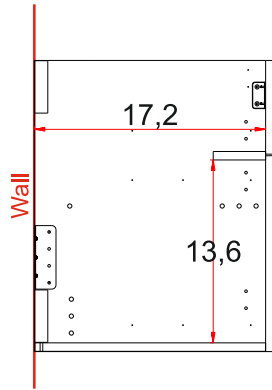
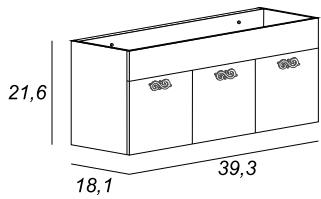
Series

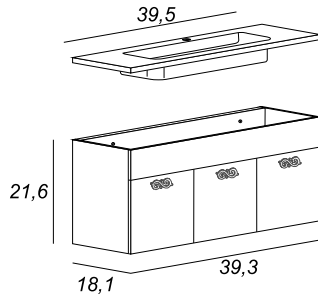
**Features:**

- Includes fully adjustable drawersliders
- Fully finished interiors
- Includes installation hardware
- Micro-Density Fiberboard (MDF) construction
- PVC finish resists moisture and scratches

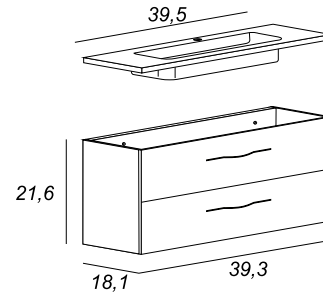
Side view for plumbing

Back view for plumbing





**Basins available:**  
 - ceramic  
 - resin  
 - glass extra-light



## FURNITURE CHARACTERISTIC



Cabinet in MDF, sides and doors thickness 0,63in, coated in PVC 0,01in waterproof and scratchproof that guarantee long life and reliability. Doors with relief finish.



Soft closing hinges guaranteed for 100,000 cycles. Soft closing slides guaranteed for 60,000 cycles. Hinges and slides used in furniture and complementary allow the adjustment in 3 different positions.



Resin washbasin thickness 0,98in impact resistant. Glass washbasin extra-light white thickness 0,59in and resistant to high temperature and impacts. Ceramic washbasin thickness 0,7in and resistant to high temperature and impacts.



It is not necessary to assemble the cabinet (product not in kit).

## MIRRORS



Mirror lighting full-led, guarantee an energy saving of a 80/90% compared to a classic lighting incandescent or halogen and life of about 3/5 times higher.



The LED lighting can exceed 50.000 hours of activities, reducing the costs of maintenance. Not produce heat and withstand the high temperatures.  
 IP44 ☐ CE



Unlike normal halogen lamps, do not contain mercury and do not emit harmful UV rays for the health.

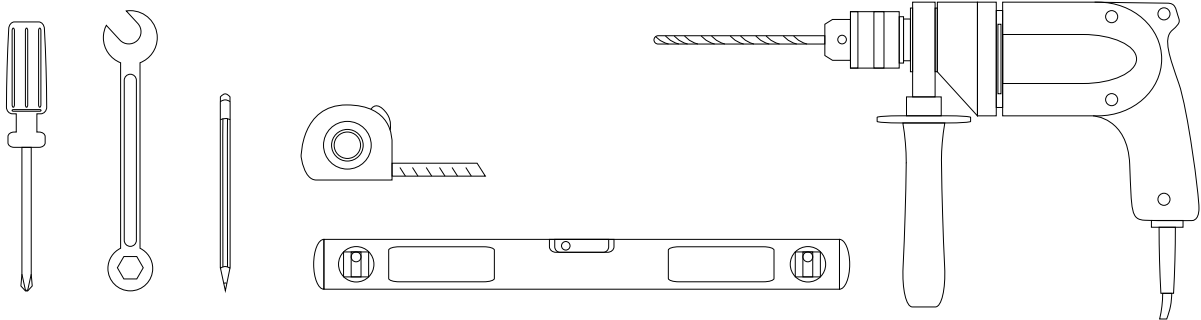
**Installation notes:**

Install this product according to the installation guide  
 Special site preparation is required.

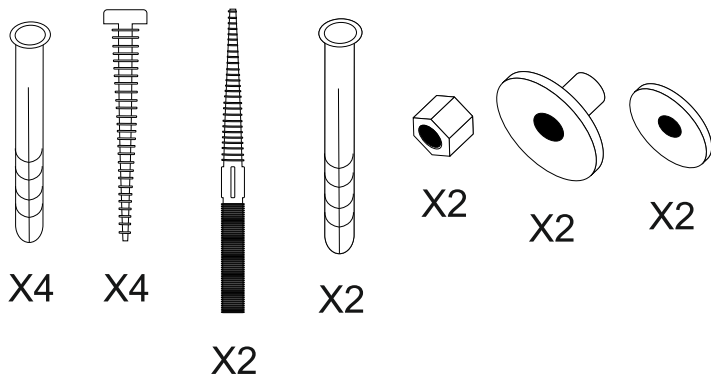
Wall bracing and Baden Haus supplied hardware are recommended.

The plumbing must be roughed into the plumbing cutout area of the vanity.

Refer to the sink rough-in and the vanity rough-in for proper placement. The water supply and drain lines must be installed before installing the vanity.

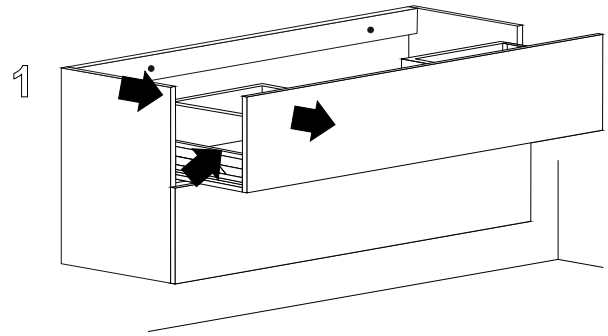
**Installation tools not included:**

**Materials Included:**

- 4 short nylon rawlplug
- 4 short screws
- 2 long nylon rawlplug
- 2 acorn nut
- 2 nylon washer
- 2 metal washer

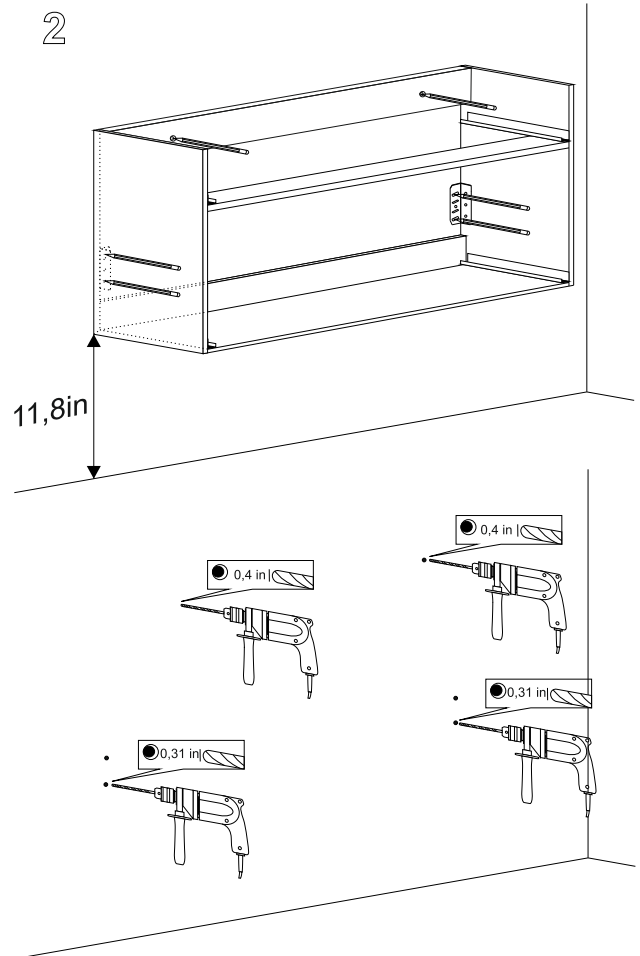


**Step 1**

Pull out completely the drawers and take off from the slide rails.


**Step 2**

Determine the ideal location of your new vanity. Mark the holes and drill pilot holes in the wall.


**Step 3**

Place the vanity frame on the finished wall and install at the locations drilled with the screws shown in Figure 3:

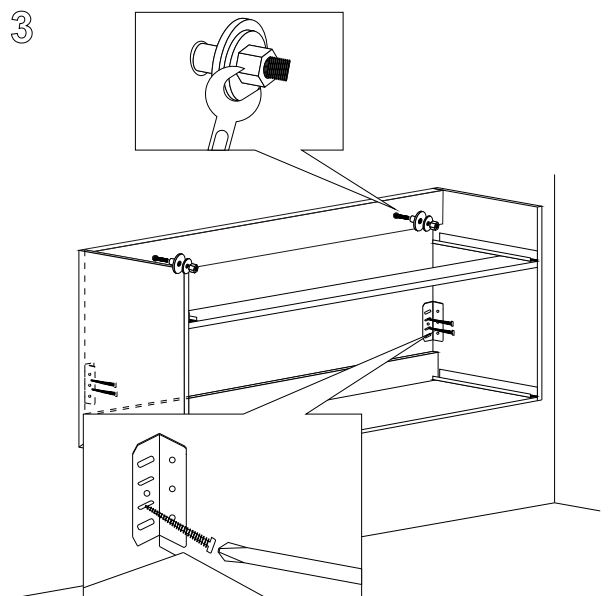
The long nylon raw for the long screw with nylon washer and metal washer and fix with acorn nut.

The short nylon raw for the short screw.

Fully extend the slide rails out.

Place the drawer into the slide rails.

To secure drawer, close the drawer until a series of clicks are heard.



**Installation notes:**

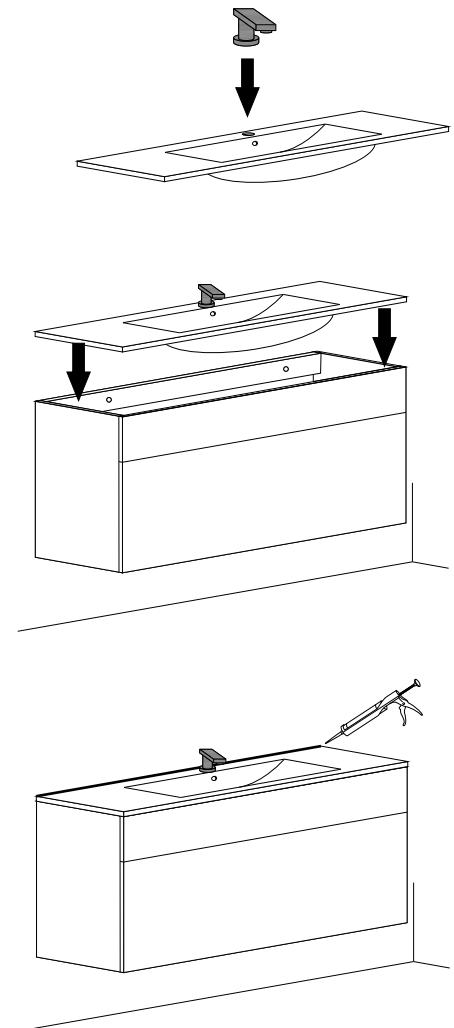
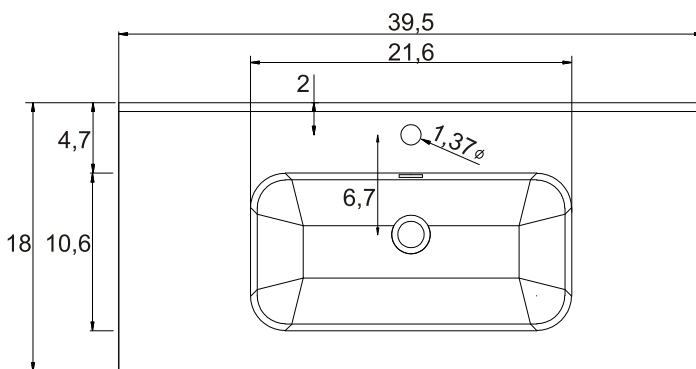
Faucet and silicone are not included.  
 All sizes are subject to tolerance.

**Sink assembly**

Install the faucet to the top and drains to the sink. Refer to the faucet and drain manufacturer's instructions. Complete the faucet connections. Run water and check for leaks. Apply a bead of silicone behind the top surface to the finished wall.

**CERAMIC BASIN ART. 50200**

Top view of sink



**Installation notes:**

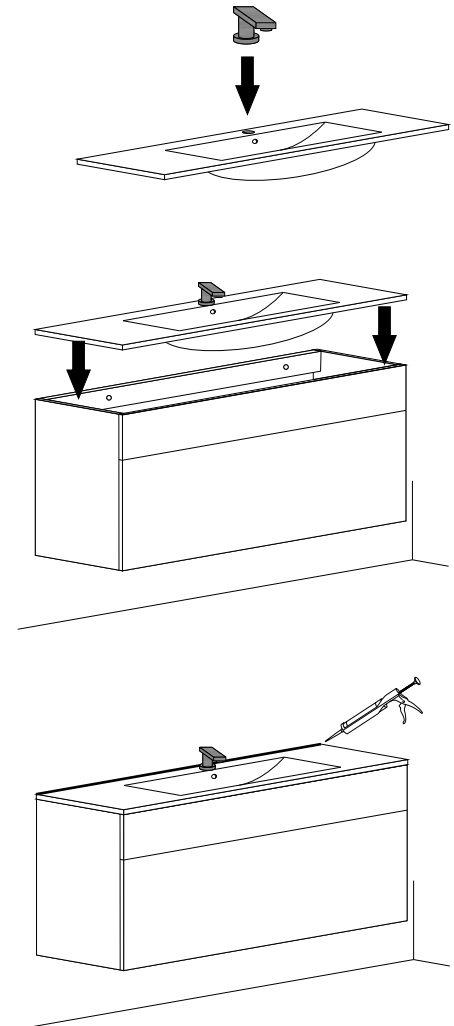
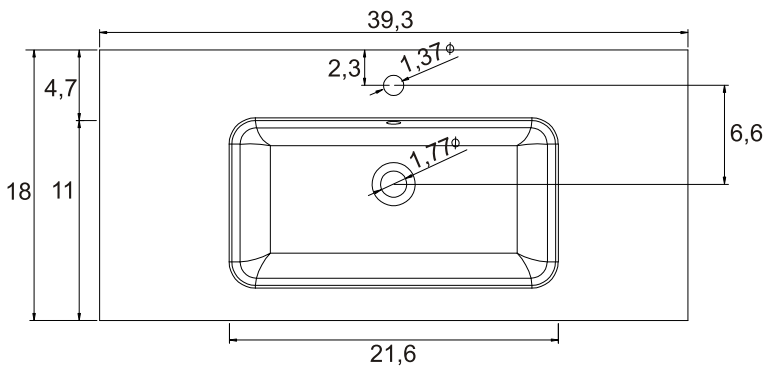
Faucet and silicone are not included.  
 All sizes are subject to tolerance.

**Sink assembly**

Install the faucet to the top and drains to the sink. Refer to the faucet and drain manufacturer's instructions. Complete the faucet connections. Run water and check for leaks. Apply a bead of silicone behind the top surface to the finished wall.

**RESIN BASIN ART. 50170**

Top view of sink



**Installation notes:**

Faucet and silicone are not included.  
All sizes are subject to tolerance.

**Sink assembly**

Install the faucet to the top and drains to the sink. Refer to the faucet and drain manufacturer's instructions.  
Complete the faucet connections. Run water and check for leaks.  
Apply a bead of silicone behind the top surface to the finished wall.

**GLASS EXTRA-LIGHT BASIN ART. 82414**

Top view of sink

