

**Installation notes:**

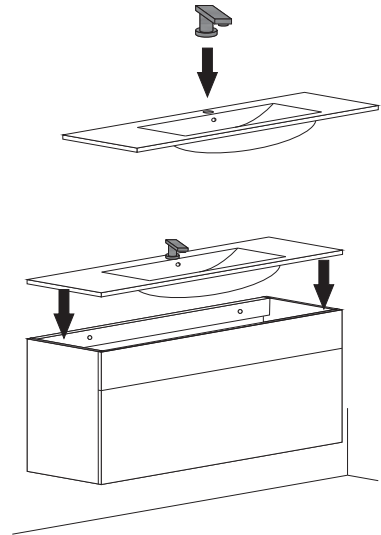
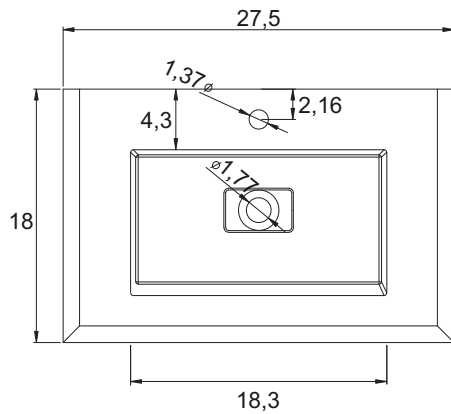
Faucet and silicone are not included.  
 All sizes are subject to tolerance.

**Sink assembly**

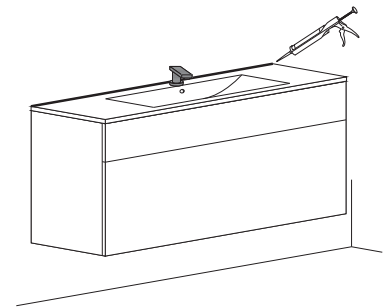
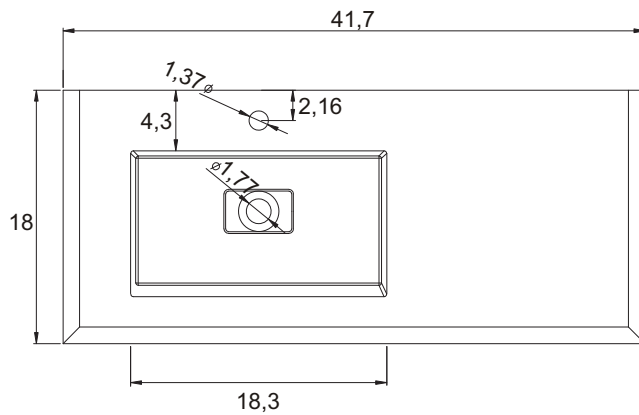
Install the faucet to the top and drains to the sink. Refer to the faucet and drain manufacturer's instructions.  
 Complete the faucet connections. Run water and check for leaks.  
 Apply a bead of silicone behind the top surface to the finished wall.

**RESIN BASIN ART. 50212**

Top view of sink


**RESIN BASIN ART. 50213**

Top view of sink


**RESIN BASIN ART. 50214**

Top view of sink

