

Installation notes:

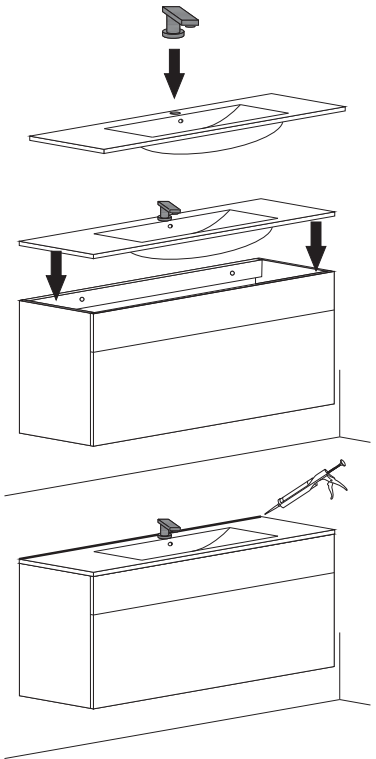
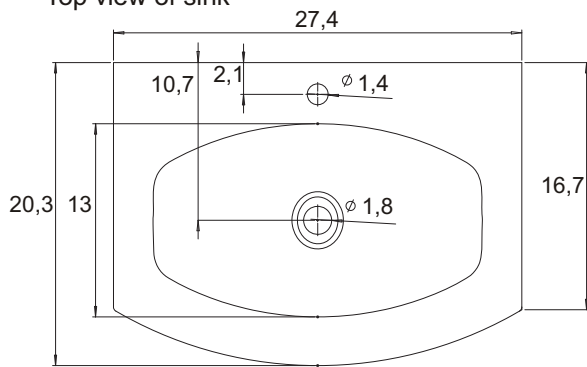
Faucet and silicone are not included.
 All sizes are subject to tolerance.

Sink assembly

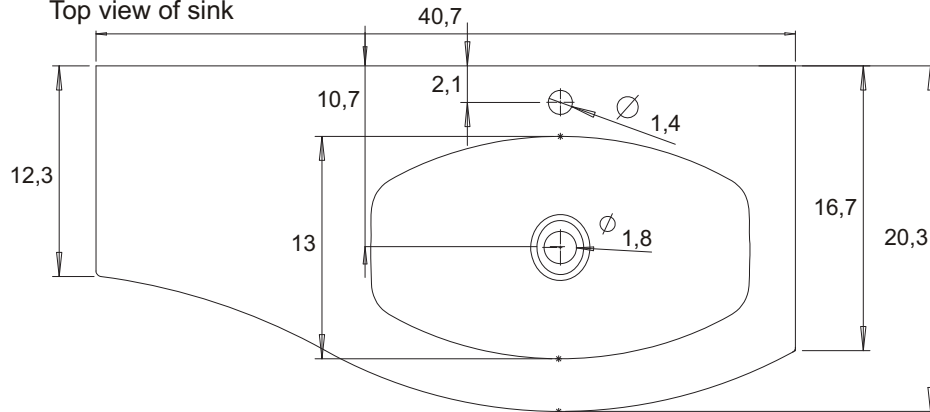
Install the faucet to the top and drains to the sink. Refer to the faucet and drain manufacturer's instructions.
 Complete the faucet connections. Run water and check for leaks.
 Apply a bead of silicone behind the top surface to the finished wall.

RESIN BASIN ART. 50158

Top view of sink


RESIN BASIN ART. 50154 - 50153

Top view of sink


RESIN BASIN ART. 50155

Top view of sink

