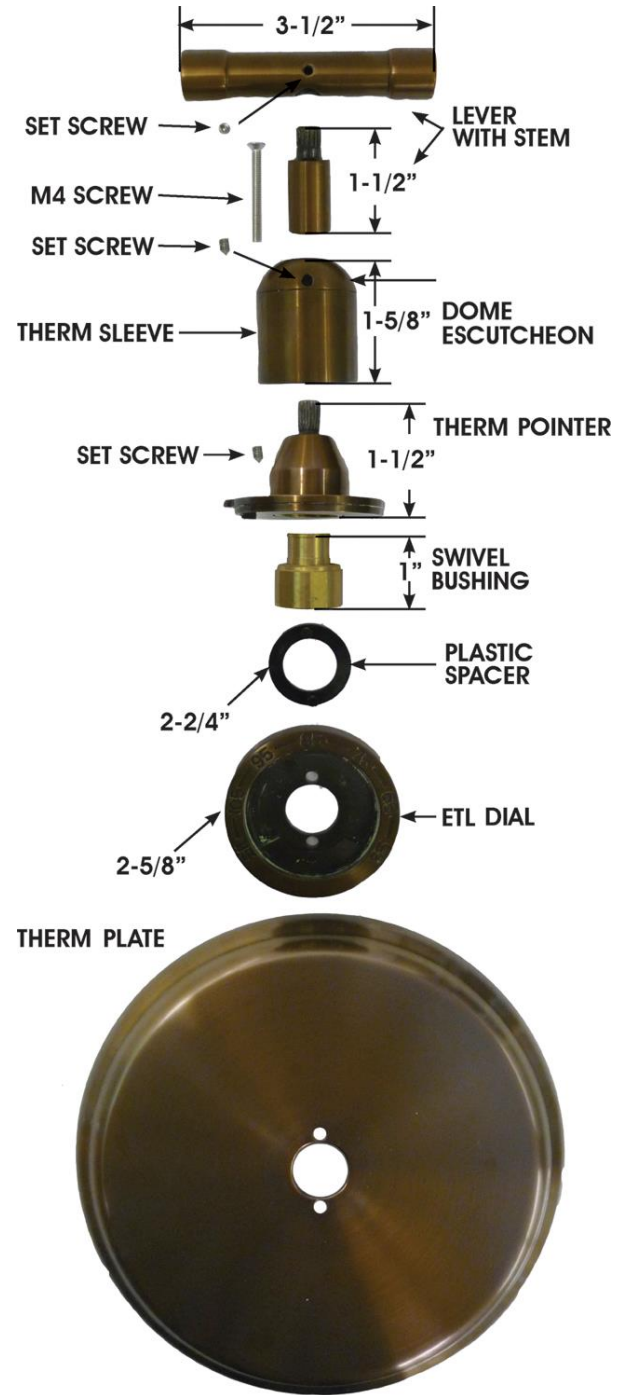




August 2013

PRODUCT SPECIFICATIONS

Wherever Thermostatic Shower Valve & Trim
WE-THERM



- ADA Compliant
- 7" Trim Plate
- Offset and Cross handles available
- Custom finishes available

Connection	3/4" NPT
GPM	14