

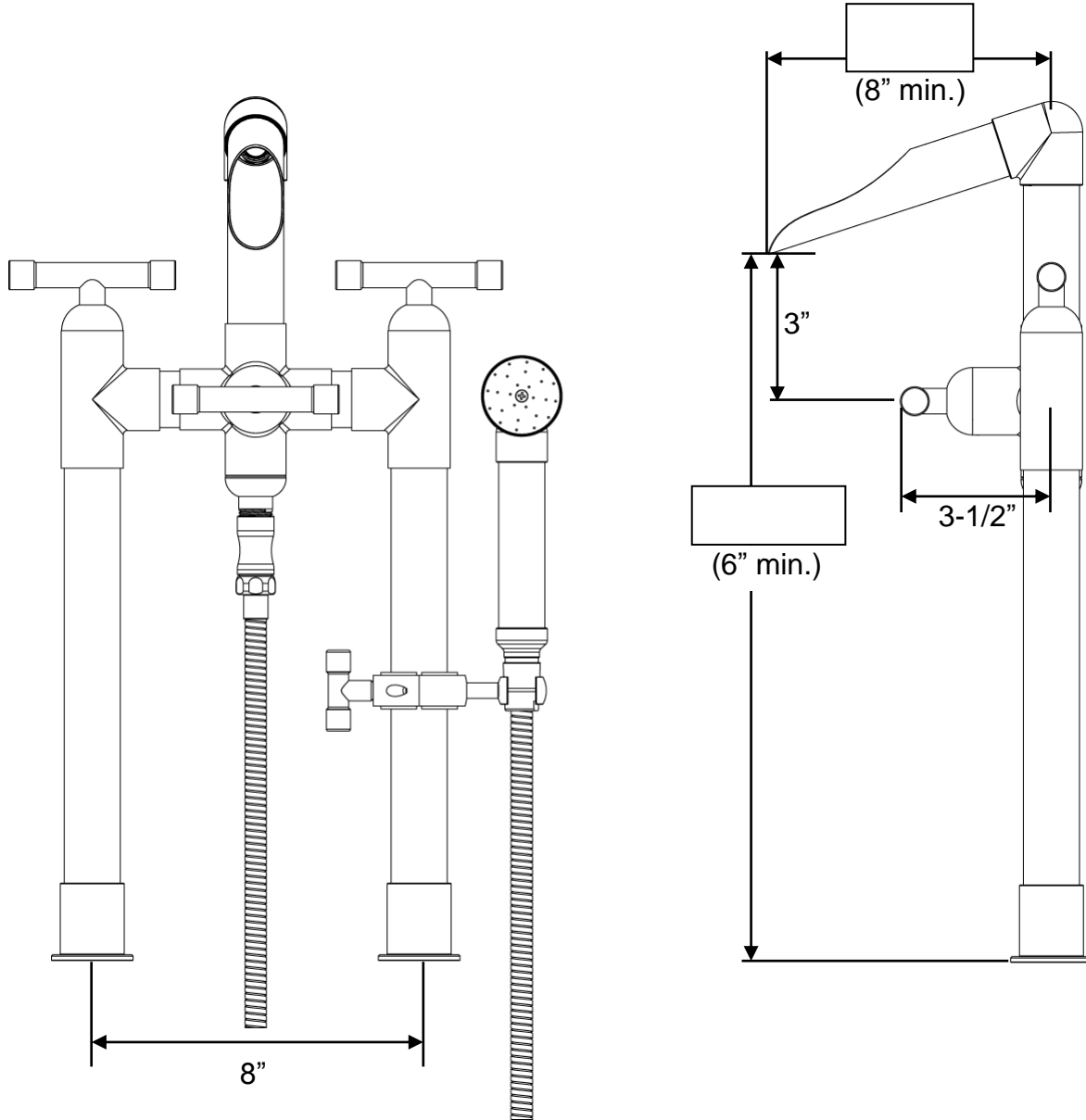


# PRODUCT SPECIFICATIONS

## Waterbridge Tub Filler with Waterfall Spout & Handshower

Mar 2018

WB-RTF-FM-WF-HS



- ADA Compliant
- Custom finishes available

Connection	3/4" FIP
GPM	8



# PRODUCT SPECIFICATIONS

Waterbridge Tub Filler with Waterfall Spout & Handshower

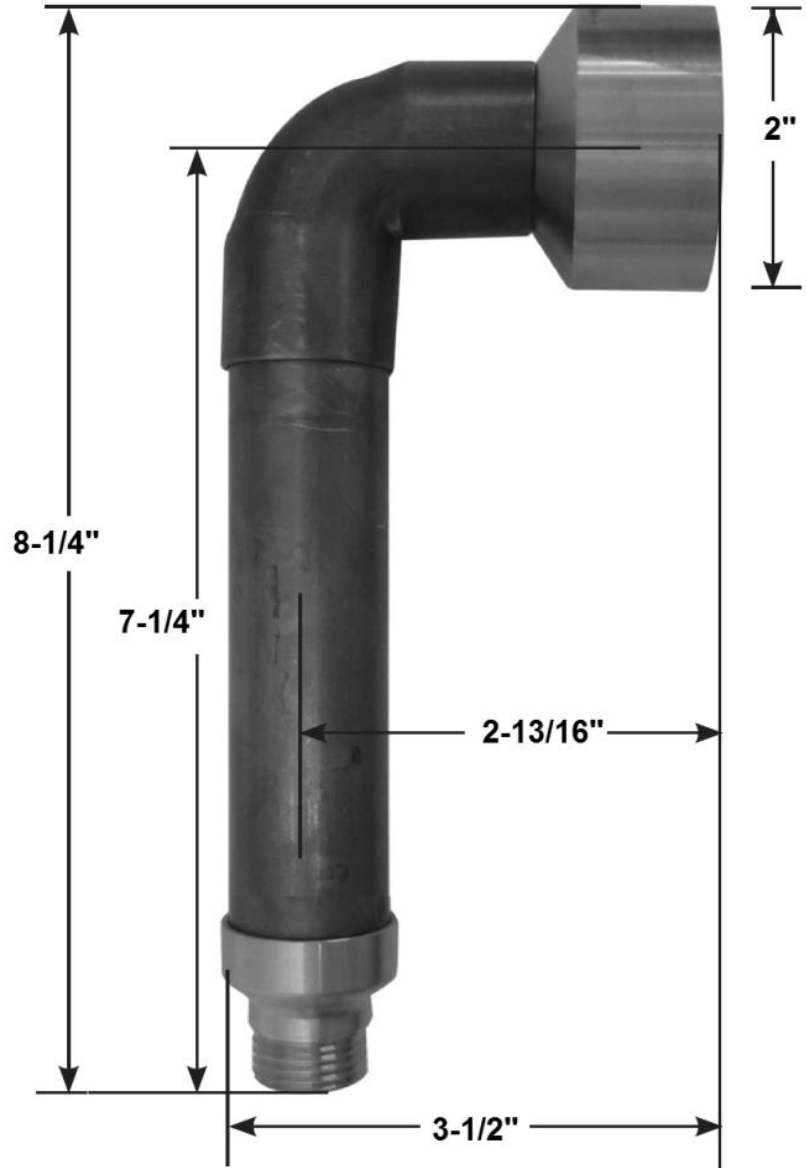
Mar 2018

WB-RTF-FM-WF-HS



59" FLEXIBLE HOSE

WATERBRIDGE  
HAND WAND



CLAMP FOR  
HAND WAND

