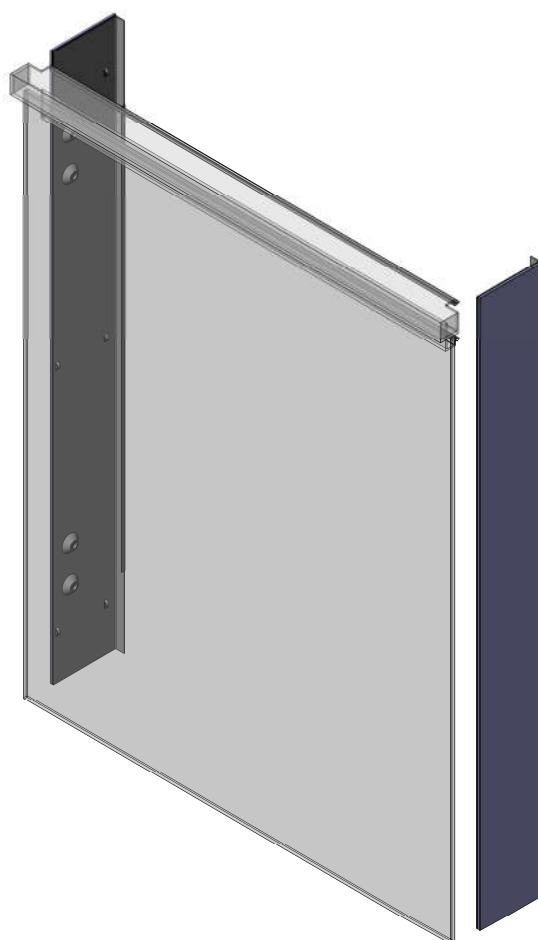


wall mount kit including side mirrors

kit fixation murale y compris les miroirs latéraux

for mirrored bathroom cabinets
Model: SIDLER Xamo



Please read instructions before proceeding
Lisez attentivement les instructions avant d'installer l'armoire de toilette

Save these instructions
Conservez-les instructions pour future référence

IMPORTANT SAFETY INSTRUCTIONS - to reduce the risk of burns, fire, electric shock, or injury:

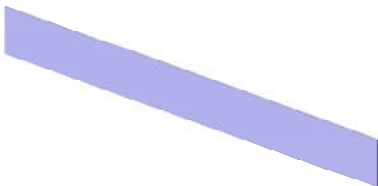
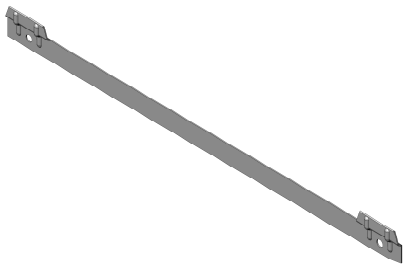
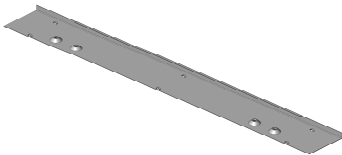
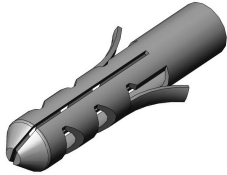



- This product is for household use only
- WARNING - do not use outdoors
- WARNING - use this furnishing only for its intended use as described in these instructions
- WARNING - never operate the furnishing with the air openings blocked. Keep the air openings free of lint, hair, and the like
- WARNING - never drop or insert any object into any opening
- WARNING - avoid dispensing of aerosol sprays near top of the cabinet
- SAVE THESE INSTRUCTIONS

Importantes consignes de sécurité pour réduire les risques de brûlures, d'incendie, de choc électrique et de blessures:

- Ce produit est destiné seulement à un usage personnel et familial
- Avertissement - ne pas utiliser à l'extérieur
- Avertissement - Utilisez cette armoire pour l'usage approprié tel que décrit dans ce manuel
- Avertissement - Ne jamais faire fonctionner l'armoire si ses ouvertures d'aération sont obstruées. Veiller à ce que ses ouvertures soient exemptes de peluches, cheveux et autres.
- Avertissement - Ne jamais laissez tomber ou insérer un objet dans les ouvertures
- Avertissement - Éviter la pulvérisation de bombes aérosol à proximité haut de l'armoire
- VEUILLEZ CONSERVER CES INSTRUCTIONS

List of all components to be installed
Liste des pièces à installer

the components pos.2 / pos.6 are included in the delivered mirror cabinet.

Pos.	Description	Dimension	Comment
1	side mirror / miroir latéraux		wall mount only
2	mounting bracket / support de montage		wall mount only
3	sheet metal / tôle		wall mount only
4	raw plug / goujons		wall mount only
5	screw / vis	M4x8	wall mount only
6	screw / vis	4.5x35mm	
7	anchor / goujons		wall mount only
			
pos. 1 side mirror / miroir latéraux		pos. 2 assembly rail/support de montage	
			
pos. 3 sheet metal / tôle	pos. 8 raw plug / goujons	pos. 5 screw / vis	
			
pos. 6 screw / vis	pos. 7 anchor / goujons		

Installation Guide – Guide d'installation

Step 1 – Mounting bracket

1ère étape – Support de montage

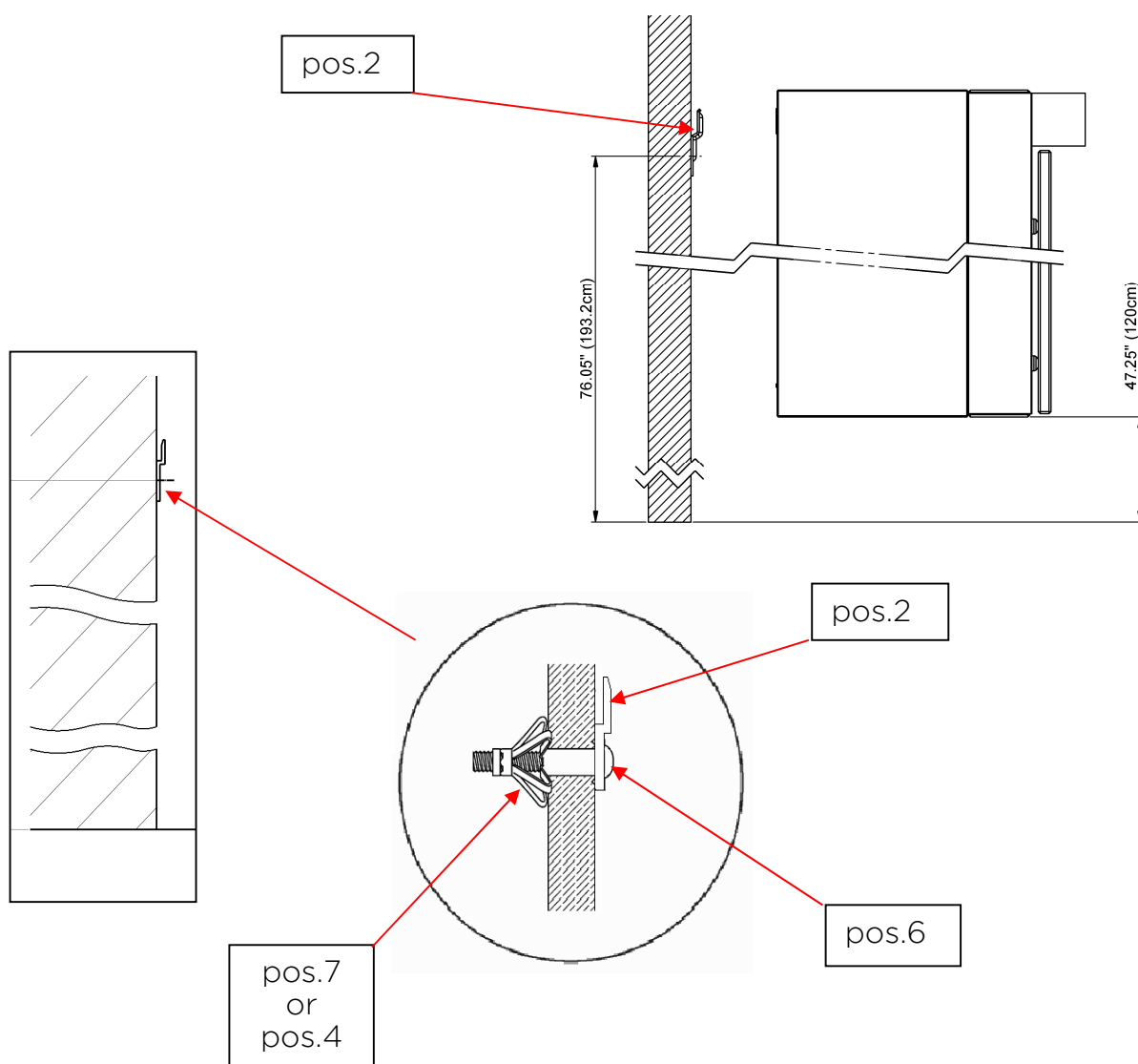
- 1) Mount the mounting bracket (pos. 2) according to the schematic drawings below. Recommend height: center of mounting holes at 76”.

Make sure that the mounting bracket is fastened to at least one wall stud. Use the correct anchors for the different types of walls.

pos.7	dry walls, hollow brick walls
pos.4	brick walls, concrete walls

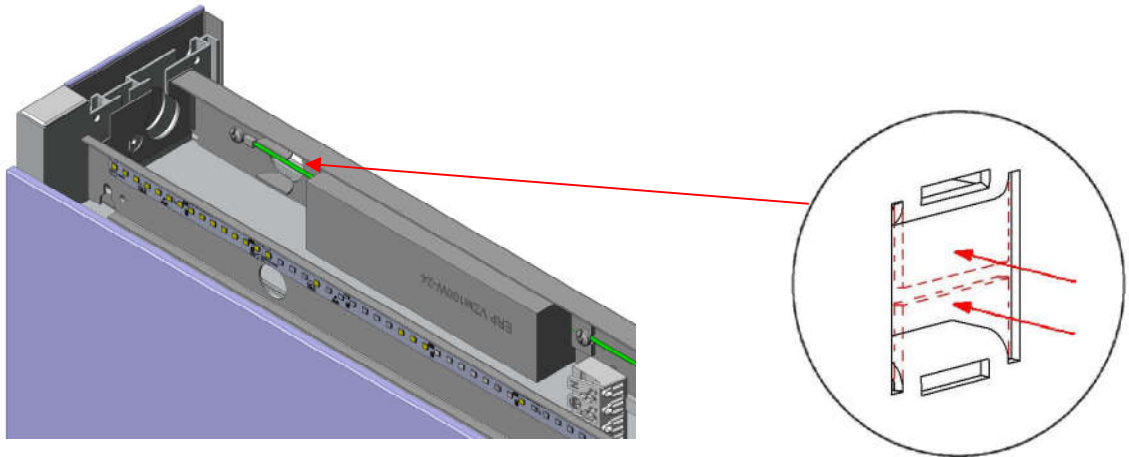
Drill holes 3/8” (10mm) for the anchors pos.4 or 1/4” (6mm) for pos.5

Check the mounting rail with a level before proceeding with the next steps.

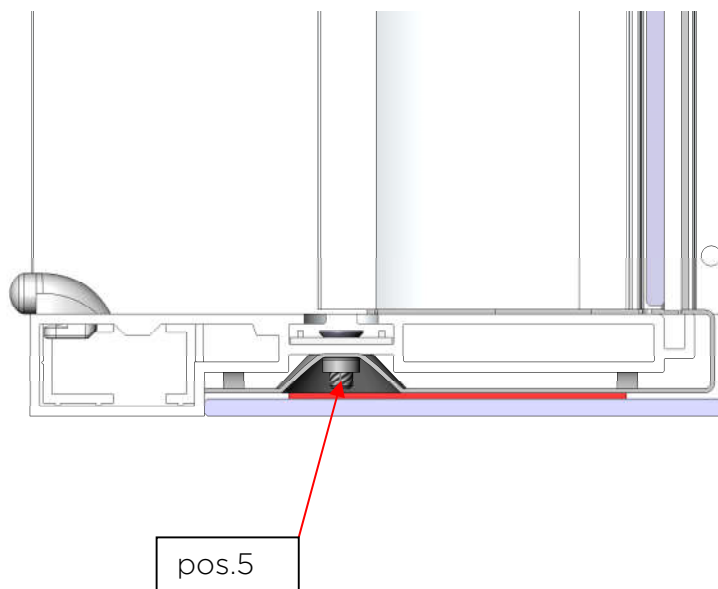


Step 2 - Preparing wiring / assembling side mirrors

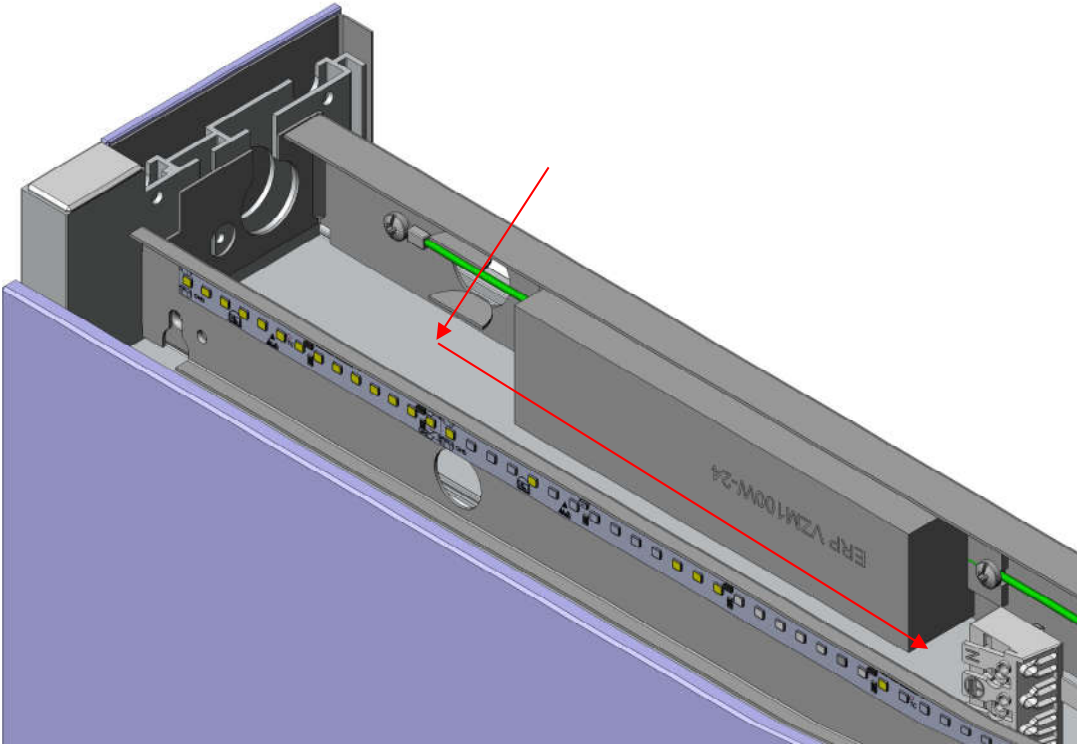
- 1) Bend the two flaps open at the back of the mirrored cabinet



- 2) Mount the side kits

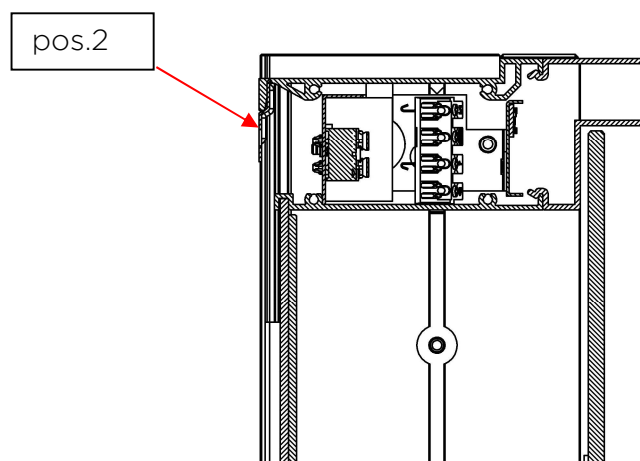


Step 3 - thread wires through back opening

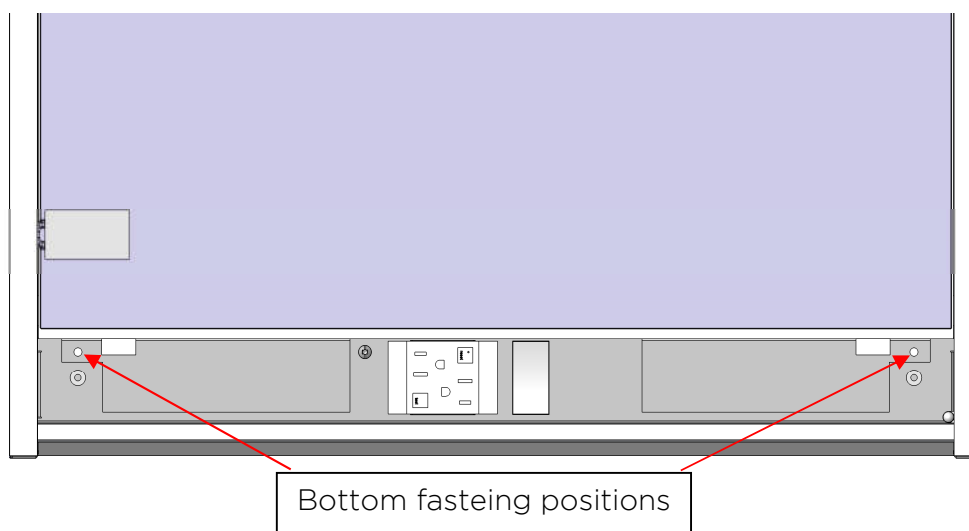


Step 5 – Mount the Cabinet

- 1) Hang the cabinet into mounting bracket Pos. 2



- 2) Center the mirror cabinet over the vanity and fasten it at the lower mounting holes as shown below, by using the anchors (pos.4 or pos.5).



=> proceed with

OPERATION INSTRUCTIONS *Quadro*

⇒ Step 6 (Connect the Electric Cables)

LIMITED WARRANTY

SIDLER will provide a two-year warranty in respect of defects associated with the Product, commencing from the date of delivery, subject to the following conditions:

- (I) The Product must have been professionally mounted and installed by a certified licensed contractor in accordance with the *Safety Standards Act*, S.B.C. 2003, c. 39, as amended, and the Electrical Safety Regulation B.C. Reg. 100/2004, as amended.
- (II) The Product must have been used by the Purchaser in the manner and for the purpose recommended and authorized by SIDLER and the manufacturer.
- (III) The Product must not have been modified, or changed in design or function following delivery.
- (IV) In each case, written notice by the Purchaser specifying the alleged defects must be received during the warranty period (within two years of the date of delivery).
- (V) The warranty is limited to replacement parts only.
- (VI) Damages resulting from normal wear and tear are excluded. The determination of whether damage has so resulted will be in the sole discretion of SIDLER.
- (VII) Damages resulting from any errors in representations made by the manufacturer regarding product specifications are excluded.

SIDLER International Ltd.
Vancouver, BC
CANADA

Phone: (604) 415 24 22
Toll Free: (888) 415 24 22
Fax: (604) 415 24 33
E-mail: info@sidler-international.com
Homepage: www.sidler-international.com