

SPECIFICATIONS

DESCRIPTION

- Handcrafted in the UK

STANDARDS

- Temp range: Min 1°C / 34°F; Max 85°C / 185°F
- Recommended working pressure: Min 0.5 bar / 7psi; Max 5 bar / 75 psi

WARRANTY

- Consult your local House of Rohl showroom for additional information and specifications. For complete warranty details and a list of showrooms, go to houseofrohl.com

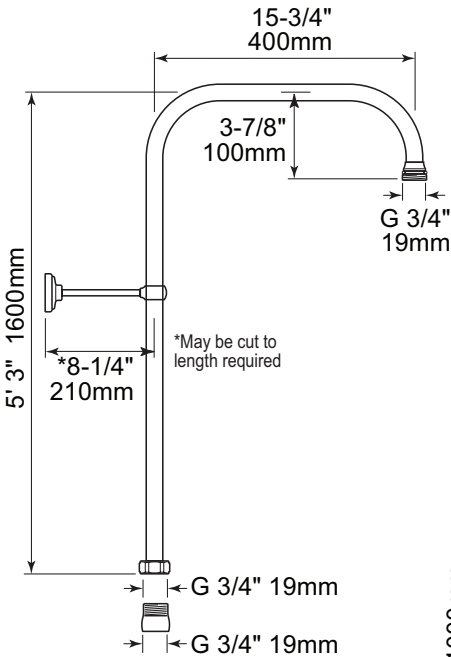


Fixed Riser

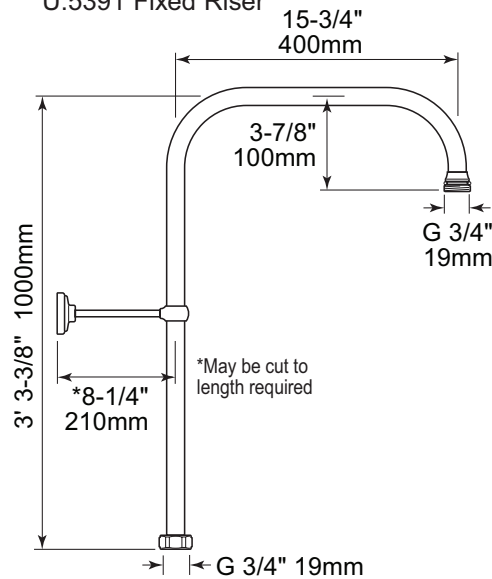
1600 x 400 x G3/4, 1000 x 400 x G3/4,
800 x 400 x G3/4, Shower Outlet, Bath/Shower Mixer Outlet
Connector

MODEL: U.5381, U.5391, U.5393, U.5394, U.5395

U.5381 Fixed Riser



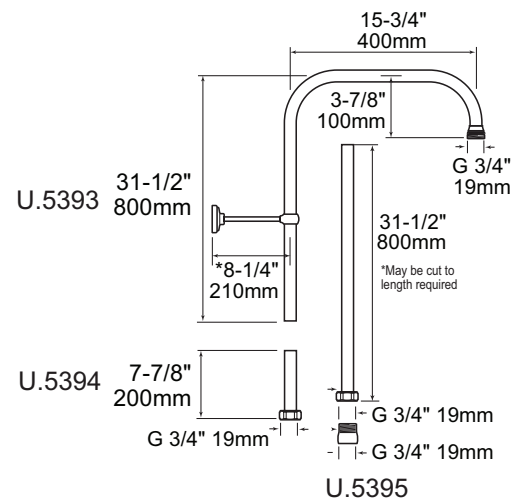
U.5391 Fixed Riser



Fixed Riser

Shower Outlet, Bath/Shower
Mixer Outlet Connector.

For use with Riser Diverter U.5383.



For warranty or additional information, contact:

US Customers

U.S.A.
houseofrohl.com/support
1-800-777-9762

QUEBEC / MARITIMES / WESTERN CANADA
houseofrohl.ca/support
1-866-473-8442

Canadian Customers

ONTARIO
houseofrohl.ca/support
1-800-287-5354