



PULSE

SHOWERSPAS

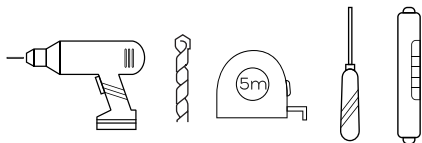
INSTALLATION INSTRUCTIONS



ErgoSlideBar

4001-SSP

TOOLS REQUIRED FOR INSTALLATION



Electric Drill
1/8" wood or metal drill bit
1/4" masonry drill bit
Tape measure
Screwdriver
Level

IMPORTANT

Check local code for proper placement of ErgoSlideBar to meet requirement such as ADA or ANSI 117.1 Consumer Safety Requirements.

ERGOSLIDEBAR MUST BE MOUNTED THROUGH SHOWER WALL AND SCREWED DIRECTLY TO WOOD OR METAL STUD.

INSTALLATION QUESTIONS

Before returning your ErgoSlideBar to the store or have any question about installation or missing parts please visit the CUSTOMER CARE area on our website www.PulseShowerSpas.com.

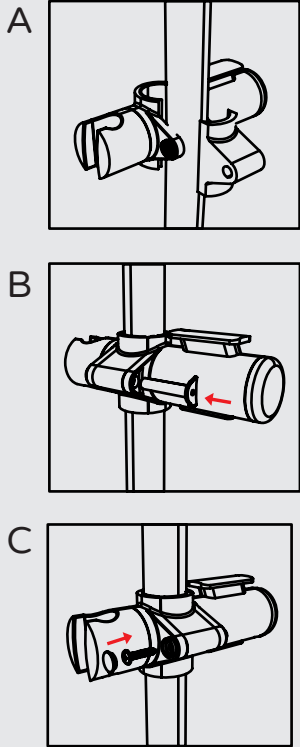
WARRANTY

Please visit www.PulseShowerSpas.com for our Manufacture's Limited Warranty information.

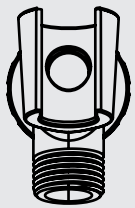
PARTS INCLUDED

- L-type stainless steel rail
- 5 Function hand held
- 72" Shower hose
- Installation manual
- Shower arm mount with hand held holder

HAND HELD HOLDER INSTALLATION



SHOWER ARM MOUNT INSTALLATION



Attach shower arm mount to your existing shower arm using supplied washer. Shower arm NOT INCLUDED.

INSTALLATION

STEP 1

Position mounting flanges and mark hole locations. Drill 1/8" pilot holes through shower wall into wood or metal stud.

NOTE: If wall is tiled, drill through tile (only) with a 1/4" diameter masonry or ceramic tile drill bit and then change to the 1/8" drill bit to complete.

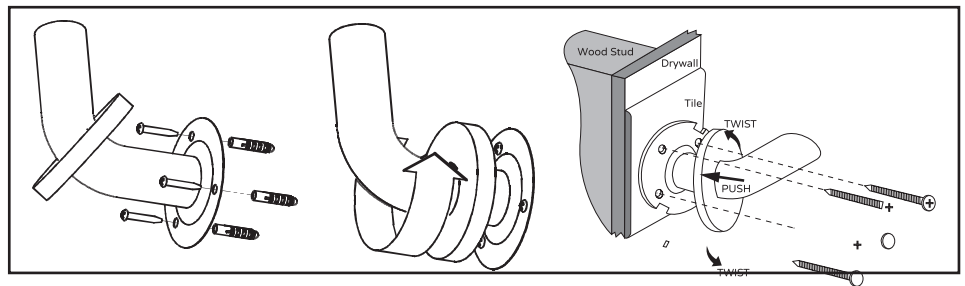
STEP 2

Install mounting screws through grab bar mounting bracket and directly into wood/metal stud or bracing. Use masonry anchors if necessary.

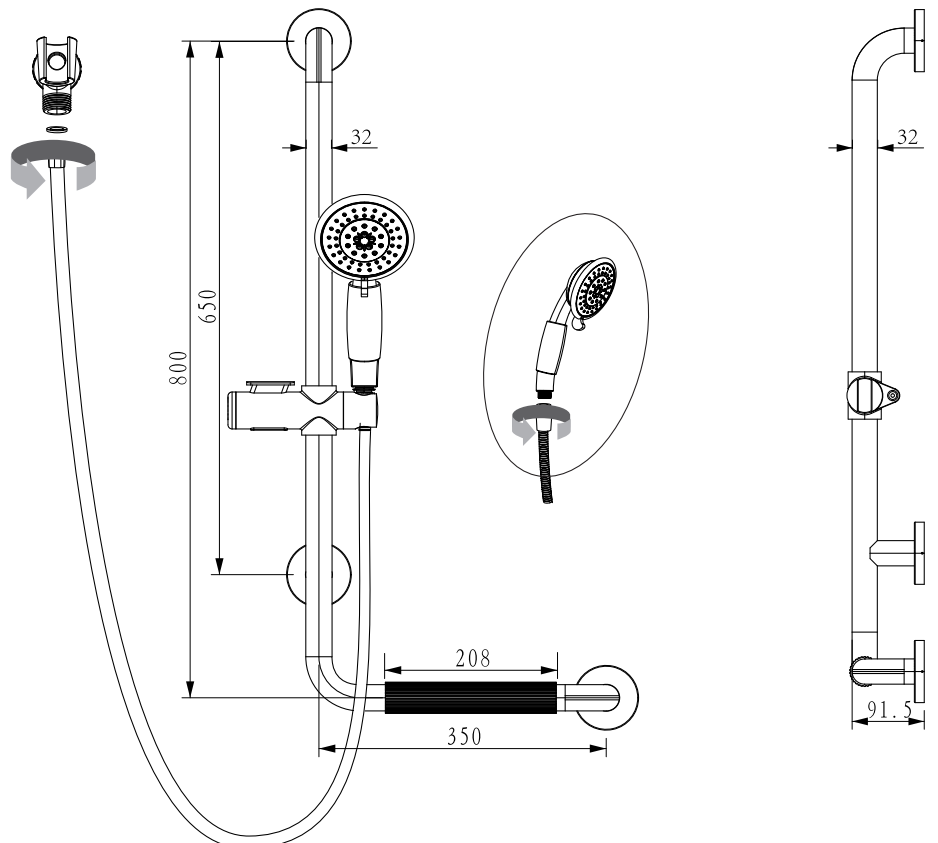
STEP 3

Once the ErgoGrabBar is securely fastened to wall, align cover plate locking tabs with slots in flange. Rotate TWIST-LOCK cover plate counterclockwise approx. 1/4" turn to lock in place.

DETAIL MOUNTING INSTALLATION



PRODUCT DIMENSIONS



PULSE

SHOWERSPAS

Toll Free: 888.785.7320

www.PulseShowerSpas.com

