

APEX

**WMA**

WALL MOUNT SYSTEM

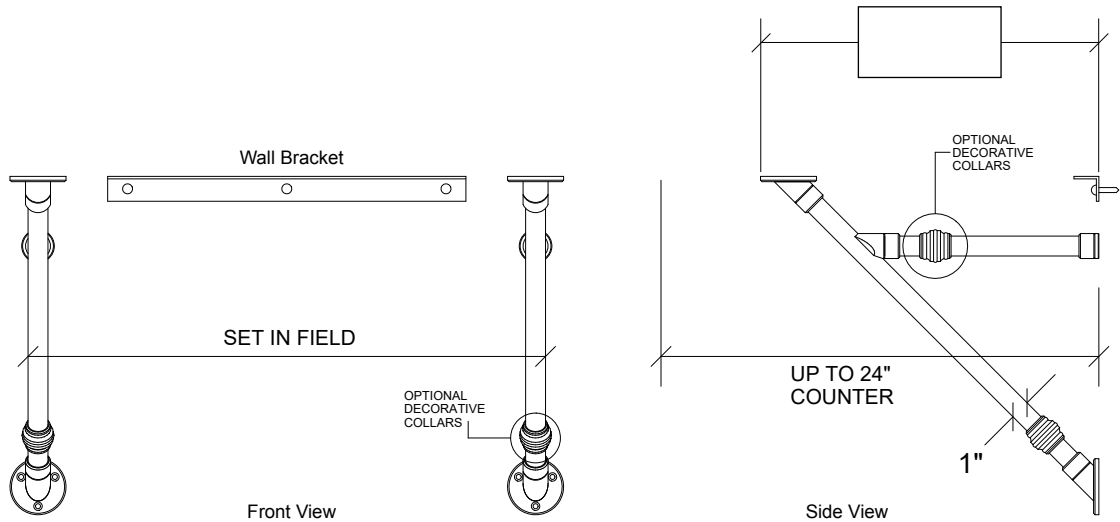
**1.0" DIAMETER TUBING**

WMAC - with Collars  
WMA - without Collars

Models:

**WMAC**  
with collars

**WMA**  
no collars

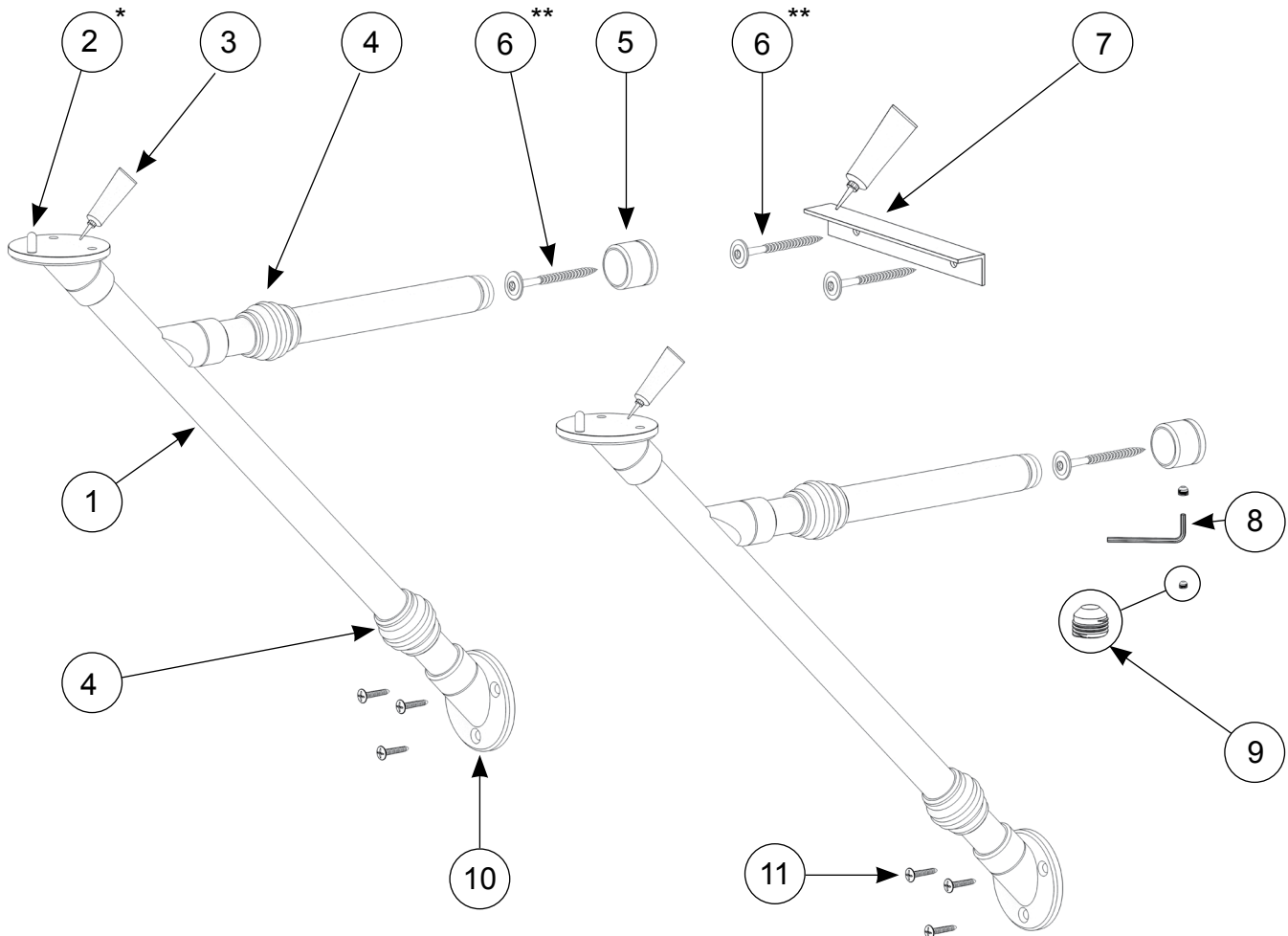


Order #:

Finish:

Inspector:

**ALL PALMER WALL MOUNT SYSTEMS REQUIRE  
SOLID WOOD BLOCKING IN THE WALL**



**ALL PALMER WALL MOUNT SYSTEMS REQUIRE SOLID WOOD BLOCKING IN THE WALL**

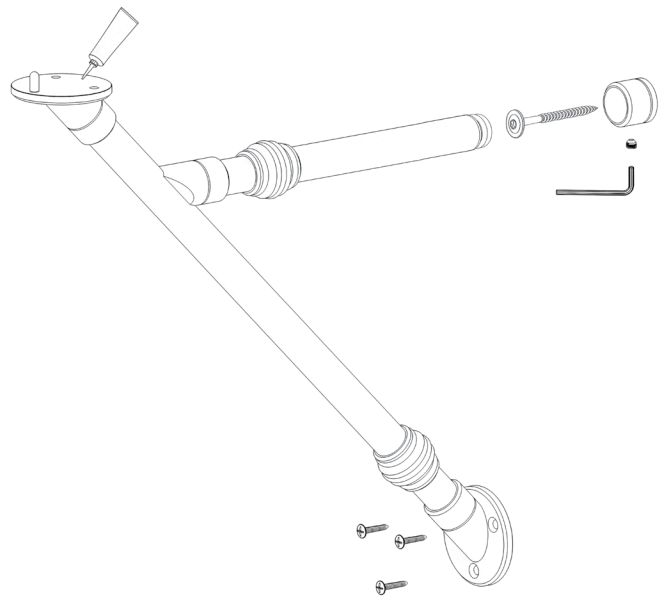
- |   |                                   |
|---|-----------------------------------|
| 1. Apex Wall Mount Assembly               | 6. SPAX 1/4" x 3" PowerLag Screws |
| 2. Counter Pin*<br>Remove for china sinks | 7. Wall Bracket                   |
| 3. Silicone Adhesive                      | 8. Hex Wrench                     |
| 4. Decorative Collar (optional)           | 9. Set Screw                      |
| 5. Wall Flange                            | 10. Exposed Screw Wall Flange     |
|   | 11. Finished Structural Screws    |

\* It is recommended that Counter Pins (#2) engage 1/4" diameter holes drilled into the underside of the counter top. Do Not drill china sinks

\*\* Load bearing Wall Flanges (#5 & 10) and Wall Bracket (#7) **MUST** be screwed into framing or blocking in the wall see: Wall Bracket Installation page

## INSTALLATION INSTRUCTIONS

- Determine that you have received the correct product before unpacking and unwrapping the leg system components.
- The leg system components must be protected from abrasion and scratching during installation. Use padding on the floor to protect your console during layout and assembly.
- The Apex Wall Mount System **MUST** be securely screwed into solid wood blocking in the wall.
- It is recommended that Counter Pins (#2) engage 1/4" diameter holes drilled into the underside of the counter top. Do not drill into China Sinks, the counter pin may be removed and the sink secured with silicone adhesive.
- To allow for a slightly out-of-plumb wall the horizontal tube assembly may be adjusted by first removing the tube and then slightly loosening the internal screw, (No more than 1/2 turn!) allowing you to slide the fitting up or down. Retighten screw and reassemble.
- Wall Flanges must be rotated so that the set screw holes are not visible from a standing position in front of the vanity.
- Confirm that the installation is correct and complete before permanently gluing the counter top into place.



SEE ADDITIONAL PAGES FOR INSTRUCTIONS SPECIFIC TO INCLUDED OPTIONS.

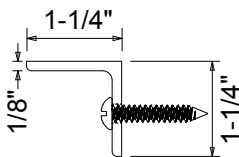
**PROPER INSTALLATION OF THE PROVIDED ALUMINUM ANGLE WALL BRACKET(S) IS CRITICALLY IMPORTANT TO THE STRUCTURAL INTEGRITY OF OUR LEG SYSTEMS.**

- Fastening the wall bracket to solid wood blocking in the wall is highly recommended. A MINIMUM OF (3) FASTENERS SHOULD BE USED. If solid blocking is not available, fasten bracket to stud framing in the wall. Use the appropriate fastener (1/4" x 3" SPAX PowerLag screws for the standard bracket\* or 5/16" lag bolt for the heavy duty bracket\*\*) of the appropriate length to engage sufficiently with the framing.
- The bracket has pre-drilled holes for easy fastening. However if the pre-drilled holes do not align with the stud framing in the wall, additional holes must be drilled into the bracket at the stud location(s).
- The wall bracket must be carefully positioned such that the top surface of the bracket is perfectly level with the top of ALL counter top supports.
- A generous bead of silicone (adhesive) must be applied to the top of the wall bracket and the tops of the legs (and rear risers if applicable) in order to secure the sink top.

**TILE WALL / DRYWALL APPLICATIONS - Standard Wall Bracket**

- If the stud locations can be determined, drill holes in the tile at these locations and use #12 screws of the appropriate length to engage with the framing at least 1-1/2".
- For non-stud locations, drill 9/32" holes into the tile and use the provided red anchors and #12 screws.

**\* Standard Wall Bracket**



**\*\* Heavy Duty Wall Bracket**

