



neelnox

LET
THERE
BE **DESIGN.**

FEATURES

- Premium 304 Grade Stainless Steel
- Solid Mount Construction
- Concealed Installation Hardware
- Solid End Cap provided for side opposite to the door for a seamless look



Small Rosette
(Dia 1 1/8")



Medium Rosette
(Dia 1 1/4")



Large Rosette
(Large 1 1/2")

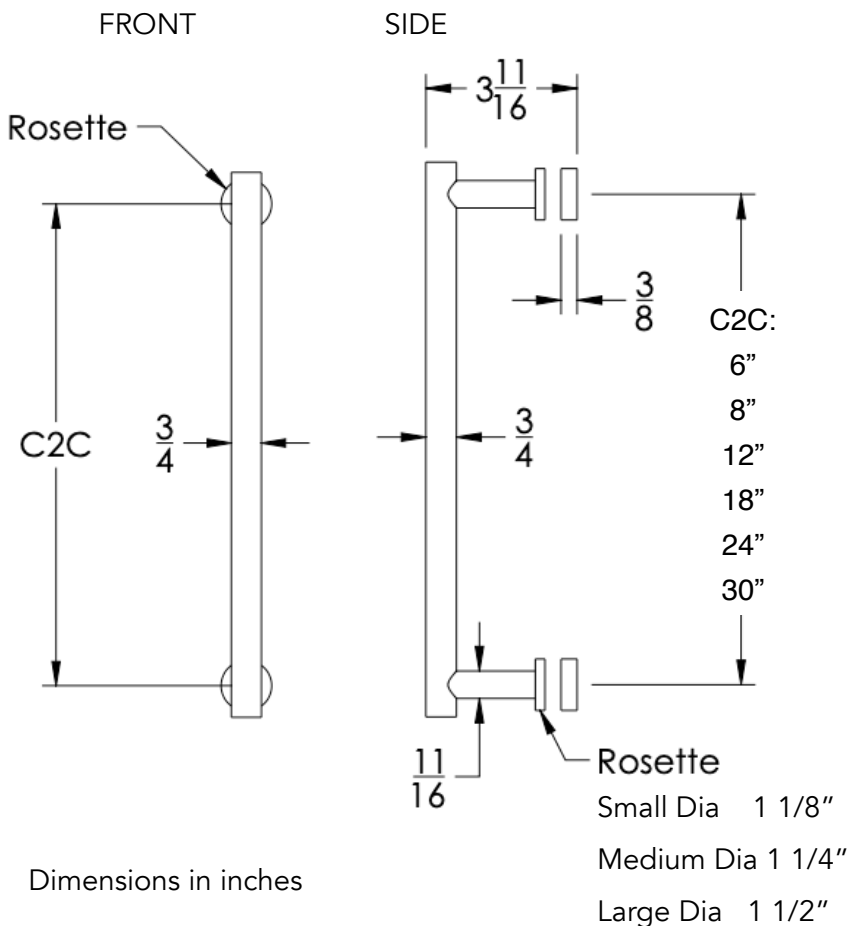
COLLECTION MASTERPIECE

SINGLE DOOR HANDLE

Model	Product	Finishes Available
MST-SSD <u>XX-XX</u>	Single Door Handle	Multiple finishes available. Over 23 finishes to choose from.

FINISHES			
Polished (-P)	Antique Copper (-ACOP)	Polished Gold (-PGLD)	
Brushed (-B)	Polished Brass (-PBR)	Brushed Copper (-BCOP)	
Brushed Gold (-BGLD)	Matte White (-WHT)	Brushed Rose Gold (-BRGD)	
Matte Black (-BLK)	Brushed Modern Bronze (-BMBRZ)	Brushed Black (-BRBLK)	
Oil Rubbed Bronze (-ORB)	Glossy White (-GWHT)	Polished Black (-PBLK)	
Brushed Brass (-BBRS)	Polished Rose Gold (-PRGD)	Antique Nickel (-ANKL)	
Brushed Bronze (-BBRZ)	Unlacquered Brass (-UBRS)	Black Nickel (-NKBL)	
Antique Brass (-ABRS)	Polished Nickel (-PNKL)		

C2C	Small Rosette	Medium Rosette	Large Rosette
6"	MST-SSD6-SR	MST-SSD6-MR	MST-SSD6-LR
8"	MST-SSD8-SR	MST-SSD8-MR	MST-SSD8-LR
12"	MST-SSD12-SR	MST-SSD12-MR	MST-SSD12-LR
18"	MST-SSD18-SR	MST-SSD18-MR	MST-SSD18-LR
24"	MST-SSD24-SR	MST-SSD24-MR	MST-SSD24-LR
30"	MST-SSD30-SR	MST-SSD30-MR	MST-SSD30-LR



Installation Notes: Center to center hole drilling dimension are same as mentioned in column. Diameter of glass hole for installation is 1/2".

Standard hardware supplied can accommodate glass thicknesses 1/4" to 1/2". Please contact us for custom hardware in case glass thickness exceeds 1/2".



Dimensions in inches

NOTE: Dimensions subject to change without notice.