

NEWPORT BATH

Features

- Solid brass construction
- 9.44" (23.9 cm) spout length
- 3/4" NPT inlet fitting (1/2" bushing included)
- Complements Metro and Skyler product series

Wall Tub Spout

8-030

Codes / Standards Compliance

Meets or exceeds the following at date of manufacture:

- All applicable US Federal and State material regulations



Colors / Finishes

- 10B: Oil Rubbed Bronze
- 15: Polished Nickel
- 15S: Satin Nickel - PVD
- 26: Polished Chrome
- Other: Refer to the Newport Brass catalog for additional color/finish options.

Specified Model

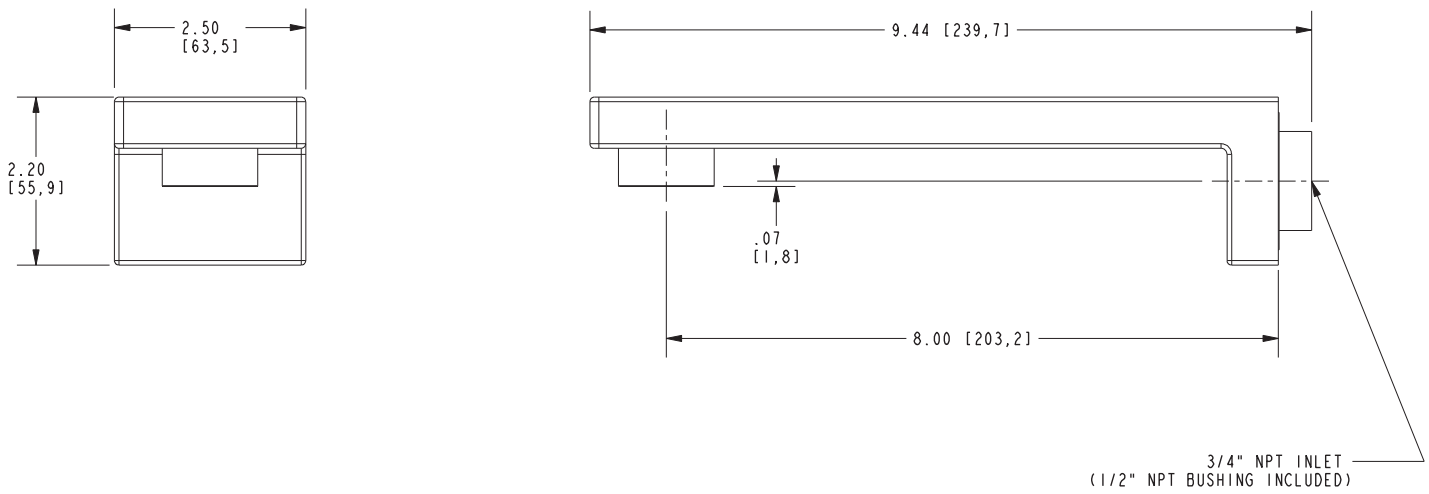
Model	Description	Colors Finishes				
8-030	Wall Tub Spout	<input type="checkbox"/> 10B	<input type="checkbox"/> 15	<input type="checkbox"/> 15S	<input type="checkbox"/> 26	<input type="checkbox"/> Other

Product Specification Add "Color / Finish" suffix to Model number, below.

The Wall-Mounted Tub Spout shall be made of solid brass construction. Tub spout shall have a length of 9.44" (23.9 cm) and incorporate a 3/4" NPT inlet fitting (adaptable to 1/2" NPT via included adapter). Tub Spout shall be Newport Brass Model 8-030/_____.

8-030

PRODUCT DIMENSIONS *(Units are in inches)*



Newport Bath Wall Tub Spout 8-030