

Bath 2 Valve Rough

Installation Instructions Model No. 1-564

NEWPORT BRASS
Flawless Beauty. From Faucet to Finish.™

We Recommend Installation by a Professional Plumbing Contractor

Note: Use Teflon tape or equivalent to seal all threaded port joints.

Warning: To prevent severe damage to valve body, any solder/braze process must be performed a min. of 4" from ports. Remove cartridge from valve body prior to applying any heat/flame.

1. Turn off water to valve.
2. Install elbow into 1/2" NPT outlet port. Position elbow in the direction required for your application .
3. Check the horizontal and vertical level of valve BODY (1) by placing bubble level on STEMS (4, 5). Make any necessary adjustments. *Secure valve BODY (1) to cross BRACE (2) using suitable SCREW (3), not included.*
4. Utilizing a 1/2" copper supply pipe and 1/2" Socket End x 1/2"NPT Male Pipe Adapter to sweat water supply line to inlets of Valve BODY(1), (blue STEM (4) is cold, red STEM (5) is hot). If sweating supplies are directly connected to valve inlets, remove cartridges during this process.

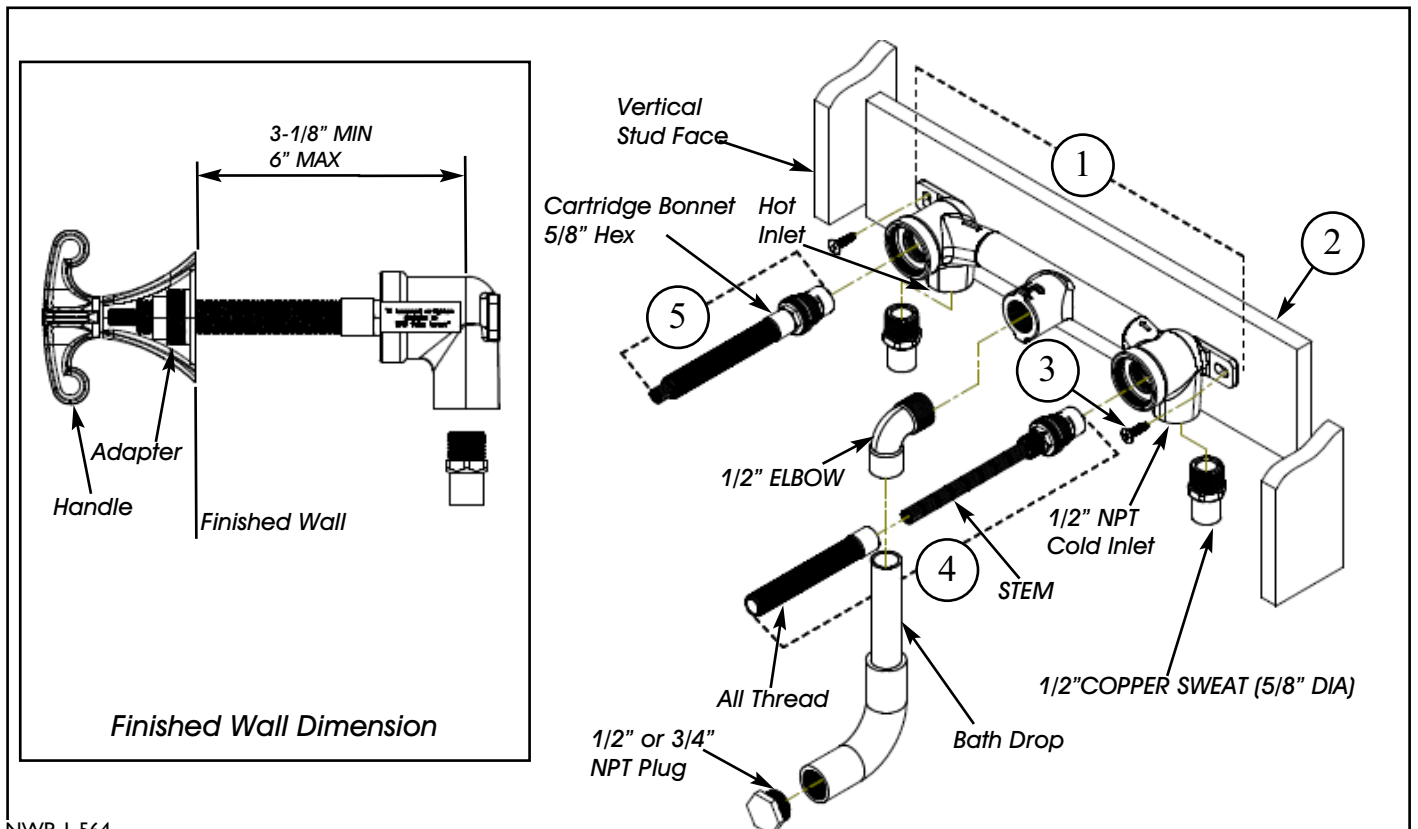
Note : If cartridges are removed during installation, re-torque to factory specification of 14-16 ft-lbs.

5. Solder/Braze end device line to the elbow.

Note: Bath drop connecting to the spout requires a 3/4" NPT fitting at finished wall(not included).

6. Place temporary 1/2" or 3/4" NPT plug (based on spout thread size) into fitting of bath drop (not included).
7. Turn on water supply, pressurize system and check for leaks. Finished wall dimensions are shown in Figure 1a.
8. For handle trim installation, cut stem and all thread length per specific product installation instructions provided.
9. Apply clear silicone sealant to backside of escutcheons. Install escutcheon/bonnet trim and handle.
10. Secure handle into place per specific product installation instructions provided with trim.

Note: To achieve desired handle rotational alignment, the Cartridge **MUST** be tightened in clockwise rotation only. **DO NOT** loosen the cartridge. Factory torque of 14 ft-lbs. minimum, must be maintained.



NWP 1-564

EN-2644

REV -

2001 CARNEGIE AVE, SANTA ANA CA 92705

(949) 417-5207

WWW.NEWPORTBRASS.COM

01/25/2013