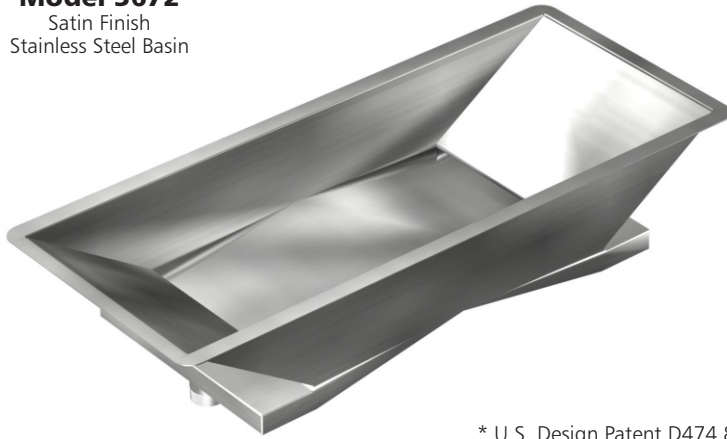


Symmetric Ebb® Basin

Model 3672
Satin Finish
Stainless Steel Basin

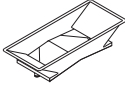
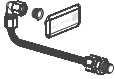


* U.S. Design Patent D474,835

- **BASIN WITH FOLDED SURFACES HIDING TWO DRAINS** (Hidden drain is a Patented Design)
- **Ideally Accommodates Two Users**
- **Maximum Depth of 7-1/4" (184 mm)**
- **Heavy 14-Gage Stainless Steel Construction**
- **Satin Finish is Standard;**
Optional Mira (High Polish) Finish, White Gloss Powdercoat or Black Matte Powdercoat is Available
- **Can be Installed as Drop-in or Undermount Inset Basin**
- **Laminar (Soft Flow) Faucet is Recommended (FAUCET NOT INCLUDED)**
- **Ebb Basin also Available in Deep and Shallow Configurations.**



This product is compliant with Canadian UPC and IAPMO requirements.

DESCRIPTION	MODEL/OPTION #
ORDERING OPTIONS	
INIT. _____	
 Symmetric Ebb Basin	
<input type="checkbox"/> Satin (standard)	3672
<input type="checkbox"/> Mira (high polish)	3672-HP
<input type="checkbox"/> White Gloss Powdercoat	3672-EG-10
<input type="checkbox"/> Black Matte Powdercoat	3672-EG-22
 Option for Ebb Basin	
<input type="checkbox"/> Overflow Waste Outlet - OF	

The Symmetric EBB Basin is available as an inset basin. It is also the featured basin in the EBB Concept Console/Table Model 9112.



APPROVAL FOR MANUFACTURE

COMPANY: _____

PROJECT NAME: _____

SIGNEE'S NAME WRITTEN CLEARLY: _____

DATE _____

AUTHORIZED SIGNATURE: _____



Member of U.S. Green Building Council



Recyclable Product

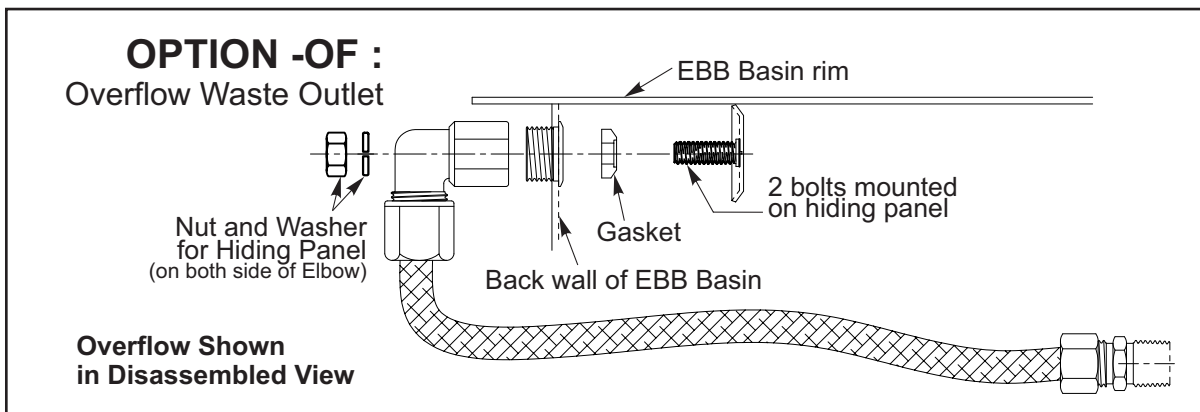
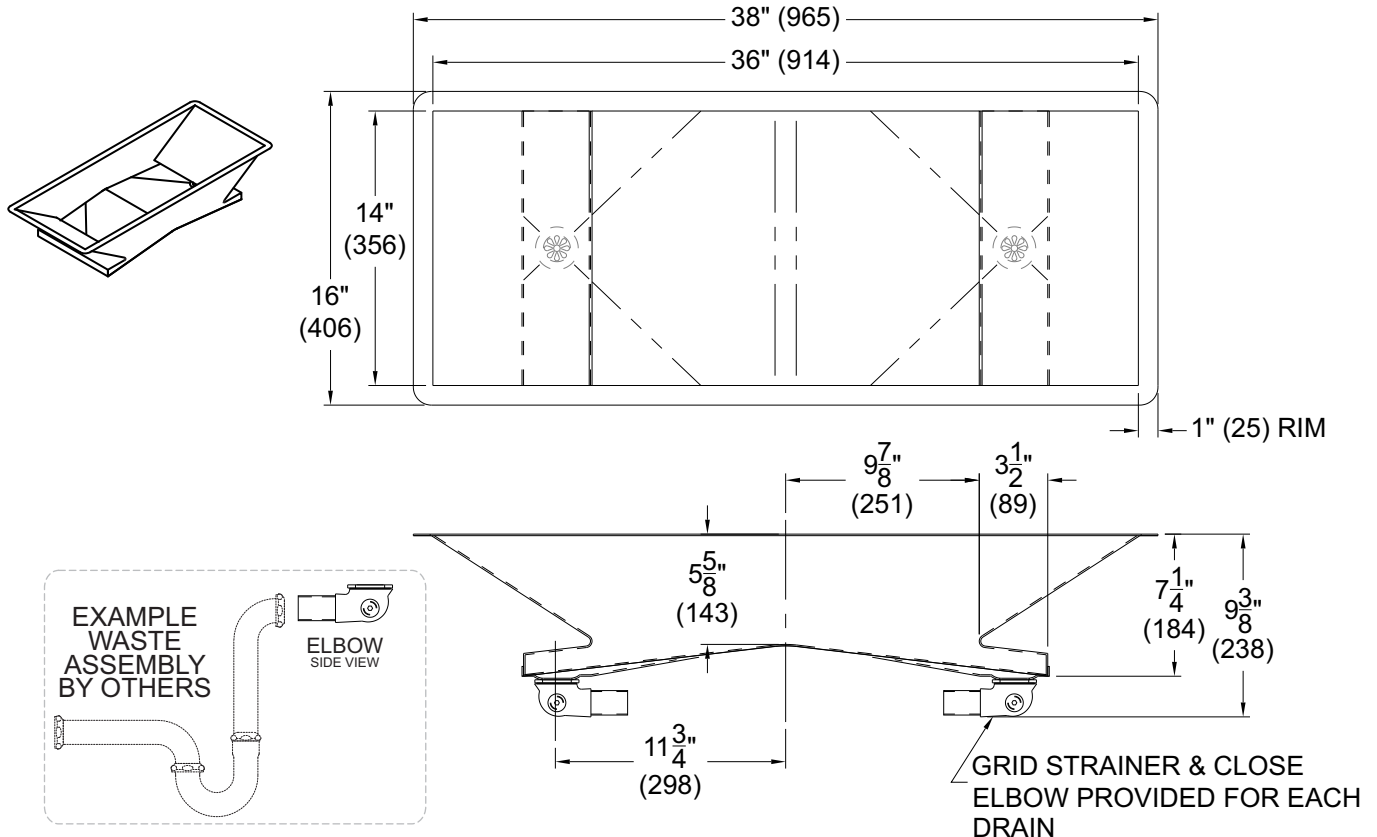
WARNING: Cancer and Reproductive Harm - www.P65Warnings.ca.gov

Symmetric Ebb® Basin

PRODUCT Specification . . . The Symmetric Ebb Basin is manufactured with 14-gage, Type 304 stainless steel. Satin Finish stainless steel is standard. Mira (High Polish) Finish and White Gloss Powdercoated and Black Matte Powdercoated stainless steel are also available. The Symmetric Ebb Basin features two hidden drains. The patented sloped surfaces hide drain openings (U.S. Design Patent D474,835). The basin can be installed in a drop-in or undermount

application. The basin shall have a maximum depth of 7-1/4" (184 mm).

PLUMBING Specification . . . The Symmetric Ebb Basin is recommended for drop-in or undermount applications. Laminar (soft flow) faucet is recommended. Faucets and waste assemblies are not provided. However, a grid strainer with close elbow and 1-1/4" O.D. tailpiece is provided for each drain.



Neo-Metro assumes no responsibility for use of void or suspended data. All dimensions are nominal and subject to manufacturer change without notice.

INSTALLATION INSTRUCTIONS ARE AVAILABLE