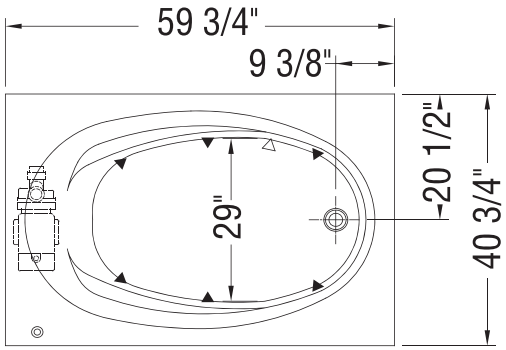
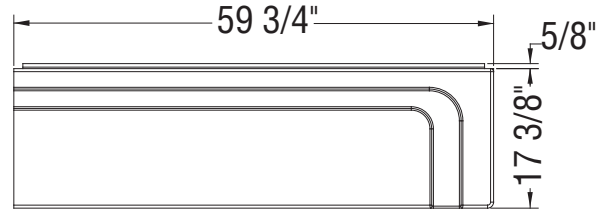
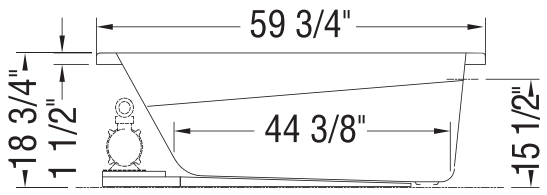
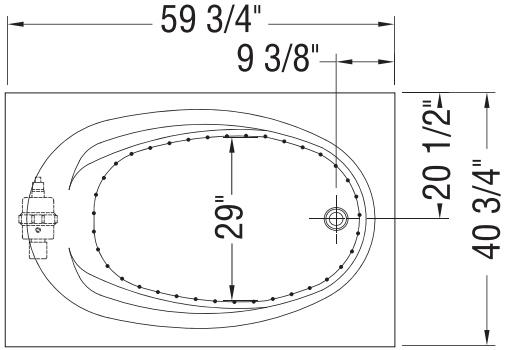


WHIRLPOOL SYSTEM



AIR SYSTEM



- (▲): Indicates Whirlpool jets positioning
- (●): Indicates airjets positioning
- (△): Indicates suction positioning

All dimensions are approximate. Structure measurements must be verified against the unit to ensure proper fit.