

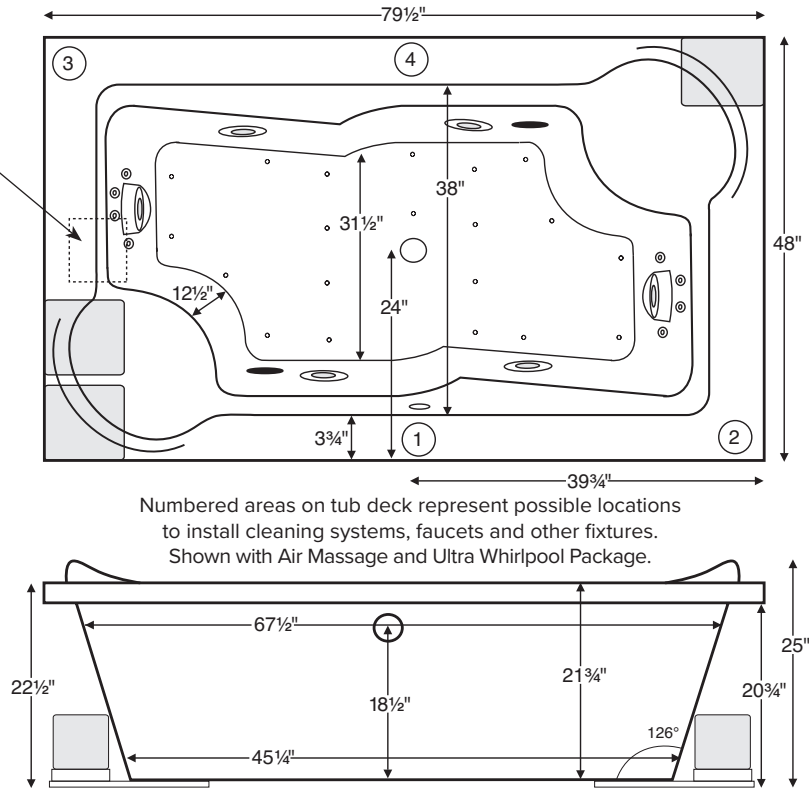
Siesta



Features integral seats.

MODEL 33
79.5" x 48" x 22.5"
DROP-IN (cannot be undermounted) <i>Not recommended as a tub/shower combination</i> 107 gal to overflow
Acrylic CXL®
120 lbs / 55 kg soaker 185 lbs / 84 kg plumbed
Filling this tub to the maximum may require an above average size or dedicated water heater.

Compliance Label
Model MTXXXX
Made in USA
Complies with
ANSI Z124.1-1995
CSA Certified C/US



Numbered areas on tub deck represent possible locations to install cleaning systems, faucets and other fixtures. Shown with Air Massage and Ultra Whirlpool Package.

IMPORTANT: Air baths and tubs with a pre-leveled foam base or frame system add 2-3" to overall tub height.

IMPORTANT ORDERING & INSTALLATION INFORMATION

- Before ordering or installing, please consider future access to equipment.
- Add proper bedding compound to fully level and support bottom of tub.
- When equipped with an air bath package, pre-leveled foam base or frame system, overall tub height is increased by approx. 2-3" and is designed to install on a flat, level subfloor.
- Radiance placed on airbath floor will affect placement of air jets.
- System components may extend beyond the perimeter of deck.
- Please measure tub **on-site** before building tub decking.
- Advise MTI when planning to use a glass enclosure. Relocation of controls may be necessary.
- Suction and control locations may vary.
- All tubs are compliant with ASTM C 1028-07 coefficient of friction. DoloMatte meets ANSI A137.1/A326.3 coefficient of friction and AS HB198:2014 slip tests.

ELECTRICAL COMPONENTS & SPECIFICATIONS

Hydrotherapy Package	Components Included	GFCI / 110V
Standard Whirlpool	2-bhp pump	1-15 amp
Microbubbles	Microbubbles pump	1-15 amp
Ultra Whirlpool	2-bhp pump x 2, inline heater, ozone	2-20 amp
Air Massage	heated blower	1-15 amp
Air Massage Elite	heated blower, chromatherapy	1-15 amp

Electrical requirements may change with the addition of optional therapy components. See specific option details or installation information. CSA Certified C/US; B45.5/IAPMO ANSI Z124.1 and ANSI 112.19.7

Hydrotherapy Package	Components Included	GFCI / 110V
Microbubbles with Air	Microbubbles pump, heated blower	1-20 amp
Microbubbles with Air Elite	Microbubbles pump, heated blower, chromatherapy	2-15 amp
Air with Whirlpool	2-bhp pump, heated blower	2-15 amp
Air with Ultra Whirlpool	2-bhp pump x 2, inline heater, heated blower, ozone	2-20 amp
Air Elite with Whirlpool	2-bhp pump, heated blower, chromatherapy	2-15 amp
Air Elite with Ultra Whirlpool	2-bhp pump x 2, inline heater, heated blower, chromatherapy, ozone	2-20 amp

See the Installation & Operation Manual for more details. MTI's Customer Service Monday-Friday 8am-6pm EST 800-783-8827 or service@mtibaths.com

- Before discarding tub crate, check for accessories that may be packaged inside.
- All product measurements are ±1/2".
- Specifications and configurations are subject to change without notice.
- Measurements herein supersede all others published prior to publication date below.



- Aromatherapy is eliminated for undermount applications
- Air Baths, Pre-Leveled Foam Base or Frame Systems increase overall height by 2-3".

Siesta
MODEL 33
 79.5" x 48" x 22.5"

Hydrotherapy Packages	Package Contents	Part #	MSRP
Soaker	Soaking bath - no jets, textured bottom	S33	\$3,350
Microbubbles	1 microbubbles infusion port and pump, textured bottom	M33	\$6,340
Air Massage	20 air jets, heated air blower, Aromatherapy, pre-leveled foam base, textured bottom	AST33	\$6,635
Air Massage Elite	30 air jets, heated air blower, Aromatherapy, Chromatherapy LED lighting, Spa Mode, pre-leveled foam base, textured bottom	AE33	\$8,345
Microbubbles with Air Massage	1 microbubbles infusion port and pump, 20 air jets, heated air blower, Aromatherapy, pre-leveled foam base, textured bottom	ASTM33	\$9,085
Microbubbles with Air Massage Elite	1 microbubbles infusion port and pump, 30 air jets, heated air blower, Aromatherapy, Chromatherapy LED lighting, Spa Mode, pre-leveled foam base, textured bottom	AEM33	\$10,705
Standard Whirlpool	6 point-massage jets, 2-bhp pump, inline heater, textured bottom	P33	\$5,920
Ultra Whirlpool	6 point-massage jets, 8 micro-jets with Tsubo massage, 2 2-bhp pumps, inline heater, Ozone, textured bottom	P33U	\$8,330
Air Massage with Standard Whirlpool	6 point-massage jets, 2-bhp pump, inline heater, 20 air jets, heated air blower, Aromatherapy, pre-leveled foam base, textured bottom	AW33	\$9,205
Air Massage with Ultra Whirlpool	6 point-massage jets, 8 micro jets with Tsubo massage, 2 2-bhp pumps, inline heater, 20 air jets, heated air blower, Aromatherapy, Ozone, pre-leveled foam base (increases overall height 2-3"), textured bottom	AU33	\$11,615
Air Massage Elite with Standard Whirlpool	6 point-massage jets, 2-bhp pump, inline heater, 30 air jets, heated air blower, Aromatherapy, Chromatherapy LED lighting, Spa Mode, pre-leveled foam base (increases overall height 2-3"), textured bottom	AEAP33	\$10,915
Air Massage Elite with Ultra Whirlpool	6 point-massage jets, 8 micro-jets with Tsubo massage, 2 2-bhp pumps, inline heater, 30 air jets, heated air blower, Aromatherapy, Ozone, Chromatherapy LED lighting, Spa Mode, pre-leveled foam base, textured bottom	AEAP33U	\$12,515

RECOMMENDED SENSORY THERAPIES

Chromatherapy

(LE) **\$800** underwater lighting
 2 LED lights included

Audiotherapy

(STEREOBT) **\$1,390** 2 transducers with bluetooth and amplifier
 (BTREMOTE) **\$600** bluetooth remote

(STEREOH202) **\$1,575** 4 transducers amplifier not included

Thermaltherapy

(RAD100) **\$1,595** Radiance®
 2 heated zones included
 (HTISOAK) **\$825**



For more information on options and accessories go to Acrylic Tub Options at mtibaths.com

Options <i>Must be ordered at time of purchase.</i>
Standard Colors White (CWH) Biscuit (CBS)
Quick Ship reduces lead time (QSPRI) \$430 <i>Please call for availability</i>
Inline Heater maintains water temperature For Soaker or Air Baths (HTISOAK) \$825 Includes a recirculating pump <i>Cannot be combined with Microbubbles.</i>
Virtual Spout high-flow integrated tub filler (FPMJ) \$450 <i>Virtual Spout location is left of the overflow, unless otherwise specified on order.</i>
Grab Bars from \$330 <i>Selections vary. Personalization available.</i>
Accessories
Pillows from \$180
Teak Bath Mat (TKMAT3018) \$815 <i>Custom sizes also available. Contact MTI for details and pricing.</i>

Hydrotherapy Equipment & Cleaning Systems <i>Must be ordered at time of purchase.</i>
Inline Heater maintains water temperature For Whirlpools or Stream Bath (HTI) \$570 Uses existing pump <i>Cannot be combined with Microbubbles.</i>
Whirlpool Cleaning Systems Fill-Flush (FFSO) \$590 Simple Touch (FFE) \$1,020 <i>Must specify stub-out location on order. See page 1 for location options.</i>
Whirlpool Jets Pump upgrade may be advisable for optimal performance when adding jets. Point-Massage Jet Extra Point-Massage Jet (EJ) \$315 Micro-Jet from \$360 <i>Jet styles and packages vary. Personalization available.</i>
Pump Upgrade - 3-bhp (PUMP3) \$315
Jet Trim Kits For Standard Whirlpool Chrome (TRC) \$270 , Brushed Nickel (TRBN) \$725 For Ultra Whirlpool Chrome (TRCU) \$370 , Brushed Nickel (TRBNU) \$960
Ozonator (OZONE) \$515 <i>Cannot be added to soakers or airbaths without combination hydrotherapy package or HTISOAK.</i>

Installation Options *Must be ordered at time of purchase.*

- Pre-Leveled Foam Base (PLFOAM) \$295**
All airbaths include a pre-leveled foam base.
- Pre-Leveled Frame and Foam Base (PLF) \$740**
- Pre-Leveled Frame and Foam Base with Skirting (Acrylic CXL® tubs only) (FSKE65) \$1,535**
Acrylic Contemporary Euro-Style with Removable Panels



- Tile Flange**
Factory-Installed on 3 sides - rigid ABS (TFK3) \$200
Field Install Kit - includes rigid ABS & adhesive (TFKNI) \$185
IMPORTANT: *Must specify flange location(s) on order of Factory-Installed Flange. Not available with optional Low-Profile Rim.*

Drains & Overflow Kits

- Cable Driven**
- Drain Finishes – PVC Drain Kit**
White/Bone/Biscuit (WOCDW) **\$440**
Chrome (WOC) **\$410**
Brushed Nickel (WOCDBN) **\$490**
Polished Nickel (WOCDPN) **\$540**
Oil-Rubbed Bronze+ (WOCBOR) **\$550**
Polished Brass (WOCDBR) **\$690**
Special Finishes* (WOCDSF) **\$1,135**
MTI does not offer a brass body cable drain kit.
 - Lift & Turn**
Drain Finishes – PVC Drain Kit
Chrome (WOC) **\$185**
White (WOW) **\$245**
Brushed Nickel (WOBN) **\$305**

- Toe Tap**
- Round Overflow – PVC Drain Kit**
Chrome (WOTTC) **\$380**
Brushed Nickel (WOTBN) **\$385**
Polished Nickel (WOTPN) **\$385**
Special Finishes* (WOTTSF) **\$1,145**
 - Round Overflow – Solid Brass Drain**
Chrome (WOTTSBC) **\$810**
Brushed Nickel (WOTTSBBN) **\$810**
Polished Nickel (WOTTSBPN) **\$810**
 - Rectangular Overflow – PVC Drain Kit**
Chrome (WOTRC) **\$470**
Brushed Nickel (WOTRBN) **\$430**
White (WOTRW) **\$525**

Slim-Line Overflow with Toe Tap Drain *Must be ordered at time of purchase.*

<ul style="list-style-type: none"> Low profile overflow is factory installed Overflow measures 4.5" x 1" Provides a deeper soak Not available for commercial applications 	<p>Slim-Line Overflow with Toe Tap Drain PVC Drain Chrome (SLOT) \$500 Brushed Nickel (SLOTBN) \$530 Polished Nickel (SLOTPN) \$555 White (SLOTW) \$430</p>	<p>Slim-Line Overflow with Toe Tap Drain Solid Brass Drain Chrome (SLOTSBC) \$930 Brushed Nickel (SLOTSBBN) \$935 Polished Nickel (SLOTSBPN) \$935 White (SLOTSBW) \$965</p>
---	--	---

