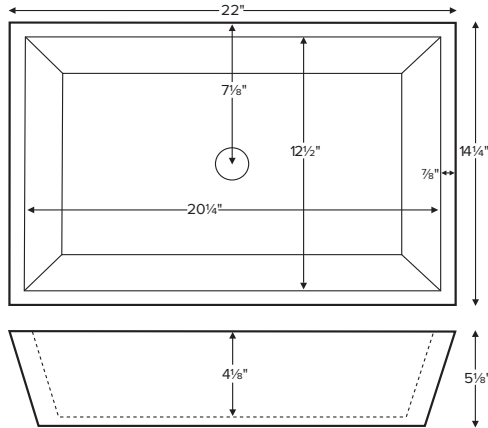


Petra 4



Vessel style sink rests on top of the vanity.



Due to its handcrafted nature, always measure sink on-site to ensure cut-out accuracy.

When ordered as undermount, 1/2" x 3/8" lip detail accommodates most undermount clips (shown right).



**ORDERING AND INSTALLATION**

- 1.5" drain opening
- Optional overflow available for undermount (check local codes)
- Measure on site to achieve the proper cut-out size.
- Lip detail on undermount bowl will accommodate commonly used undermount hardware. Hardware is not included.
- One-piece construction
- Non-porous, stain-, mold- and mildew-resistant SculptureStone®
- Material is approximately 70% organic
- Five-Year Limited Residential Warranty

MODEL 730
22" x 14.25" x 5.125" Bowl: 20.25" x 12.5"
VESSEL STYLE or UNDERMOUNT
<b>SculptureStone®</b>
33 lbs / 15 kg

**Sink Options and Pricing**

**Part #:** MTCS730 Vessel **\$1,105** MTCS730UM Undermount **\$1,105**

**Standard Color** White, matte finish  
**Biscuit Color Upgrade** (SSBISNK) **\$120** matte finish  
 Additional material colors available for projects only. Please call MTI.

**Hand-Polished Deep Gloss Finish Upcharge** (SSGLOSSSNK2) **\$530**  
 For White or Biscuit

**Exterior Color \$340** (SSCOLSG) Gloss (SSCOLSM) Matte  
 Must specify color code:  
 Sapphire Blue (SB), Blue Lagoon (BL), Terracotta (TC),  
 Onyx (OX), Stratus Gray (TG), Stormgray (SG)

**Quick Ship** (QSPRI3) **\$255** reduces lead time  
 Please call for availability.

**Options and Accessories**

**Teak Sink Tray**  
 Slatted (TKST1) **\$190** Solid (TKST2) **\$220**

**Drain Kits**  
**Finger Touch Drain Without Overflow**  
 Chrome (DKFGCN) **\$185**, Brushed Nickel (DKFGBNN) **\$190**

**Grid Drain Without Overflow**  
 Chrome (DKGDCN) **\$115**, Brushed Nickel (DKGDBNN) **\$180**

**Fixed Drain Without Overflow**  
 Chrome (DKFDC) **\$300**

**Sink Bottom Cover** matching material color  
 Matte (BCSMT) **\$280**, Gloss (BCSGL) **\$390**  
 Upcharge, Ext. Color for Sink Bottom Cover Matte (SSCOLSBM) **\$260**  
 Gloss (SSCOLSBG) **\$260**

**Options For Undermount Sink**

**Integrated Overflow no charge**  
 Rear Overflow (SINKIOR), Front Overflow (SINKIOF)

**Drain Kits**  
**Finger Touch Drain With Overflow**  
 Chrome (DKFGC) **\$185**, Brushed Nickel (DKFGBN) **\$180**

**Grid Drain With Overflow**  
 Chrome (DKGDC) **\$130**, Brushed Nickel (DKGDBN) **\$180**

• Before discarding packaging, check for accessories that may be inside.  
 • All product measurements are ±1/2".  
 • Specifications and configurations are subject to change without notice.  
 • Measurements herein supersede all others published prior to publication date below.

