

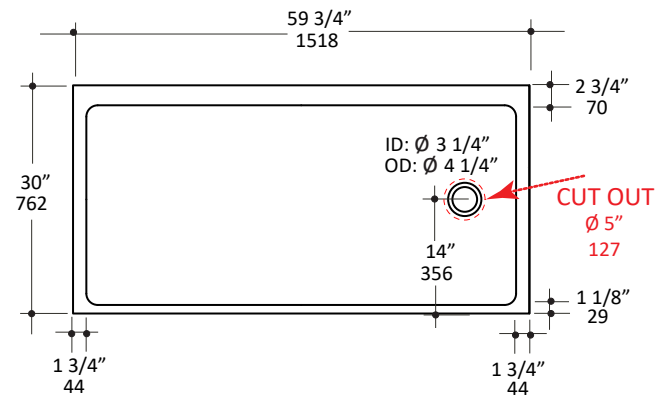
Specifications:

Installation:	Floor-mounted
Exterior Dimensions:	59 3/4" w x 30" d x 3 1/4" h
Material:	Concrete
Weight:	244 lbs
Finishes:	TER - Terracotta SLT- Slate CHL - Charcoal SND - Sand
Drain Hole Size:	ID: \varnothing 3 1/4" OD: \varnothing 4 1/4"
Floor Cut-out Size:	\varnothing 5"



Features:

- Concrete shower base
- Requires 2" shower drain PVC, ABS or copper
- We recommend compression shower drain OATEY 140 SERIES or comparable
- Size can be customizable upon request
- Drain/P-trap is not included



Codes + Standards:

- Meets and exceeds applicable national codes and standards

