

## CIGNO Faucet Item #1582

### Features:

- Deck-mount three-hole faucet with goose-neck spout and two cross handles
- Brass construction with hot/cold ceramic disc cartridges
- Includes flexible supply lines and pop-up drain assembly
- Flow rate: 1 GPM pressure compensating aerator
- Meets and exceeds the following standards/codes:
  - NSF/ANSI 61-2011
  - ASME A112.18.1-2012/CSA B125.1-12
  - CMR 248 (Mass. Code of Approval)
  - Section 1417(d) of the Safe Drinking Water Act
- It can be installed to meet ADA compliance
- Weight: 9 lbs.



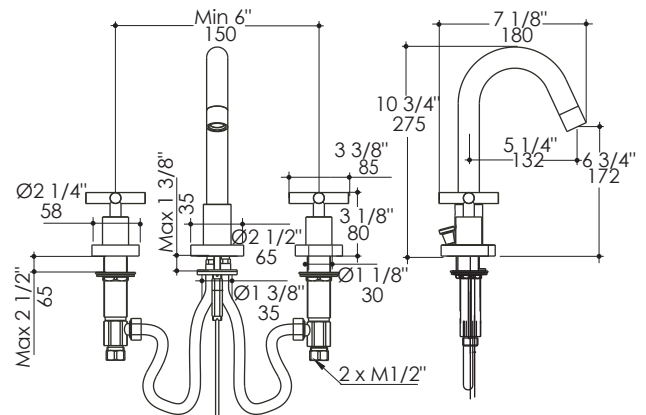
### Finish Options:

- CR - Polished Chrome
- PN - Polished Nickel
- NI - Brushed Nickel
- BG - Brushed Gold
- 44 - Matte Black

### Parts:

- R025-26 - Replacement ceramic disc cartridge pair
- 1582-AERATOR - Replacement aerator cartridge

### Product Specifications:



### Notes:

Drawings provided herein are meant to give the user an idea of the product and are not made to scale. The size in inches is rounded up to the nearest 1/16".

LACAVA is committed to the highest level of customer service. Please feel free to contact us at 1-888-522-2823 (toll free) or by email at [info@lacava.com](mailto:info@lacava.com) for technical assistance or any general inquiries.

Rev. 05-17-2017