

Features

- For use with KOHLER Choreograph wall panels and accent panels.
- Package contains two 72" lengths.
- Aluminum construction.
- Height in-field trimmable.



Codes/Standards

None Applicable

KOHLER® Limited Warranty – Choreograph™ Walls and Accessories

See website for detailed warranty information.

Available Colors/Finishes

Color tiles intended for reference only.

Color	Code	Description
-------	------	-------------



SHP	Bright Polished Silver
-----	------------------------



0	White
---	-------



96	Biscuit
----	---------



47	Almond
----	--------



NY	Dune
----	------



95	Ice™ Grey
----	-----------



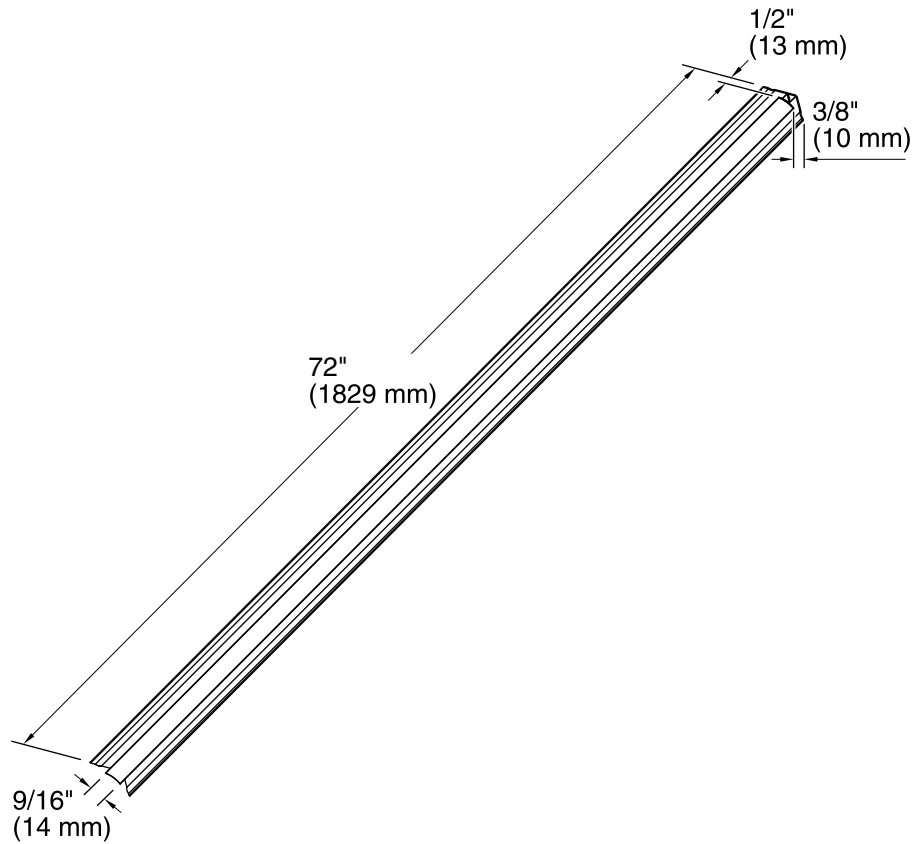
G9	Sandbar
----	---------



ABZ	Anodized Dark Bronze
-----	----------------------



BNK	Anodized Brushed Nickel
-----	-------------------------



Technical Information

All product dimensions are nominal.

Material: Anodized Aluminum, Aluminum

Notes

Install this product according to the installation guide.