

### Features

- Clean lines and an integral apron create a comfortable bathing experience.
- 14-inch step-over threshold for easy entry and exit.
- Standard size simplifies installation in remodels.
- Integral flange helps prevent water from seeping behind wall and simplifies alcove installation.
- Safeguard® slip-resistant surface on bath floor.
- Wide ledges for extra storage space.
- Left-hand drain.

### Material

- KOHLER® enameled cast iron.

### Installation

- Three-wall alcove.

### Recommended Products/Accessories

K-7213 27" Cable Bath Drain  
K-7214 27" Cable Bath Drain  
K-37386 rough-in cable drain, PVC, 30" cable  
K-702200-G54 Frameless Sliding Bath Door  
K-702200-G73 Frameless Sliding Bath Door  
K-702200-L Frameless Sliding Bath Door  
K-702205-L Frameless Sliding Bath Door  
K-706000-D3 Frameless Sliding Bath Door  
K-706000-L Frameless Sliding Bath Door  
K-706003-L Frameless Sliding Bath Door  
K-706004-D3 Frameless Sliding Bath Door  
K-706004-L Frameless Sliding Bath Door  
K-706007-L Frameless Sliding Bath Door  
K-7160-TF Bath Drain



ADA

### Codes/Standards

ASME A112.19.1/CSA B45.2  
ASTM F462  
ADA  
ICC/ANSI A117.1






### KOHLER® Enameled Cast Iron Bath and Shower Base Lifetime Limited Warranty

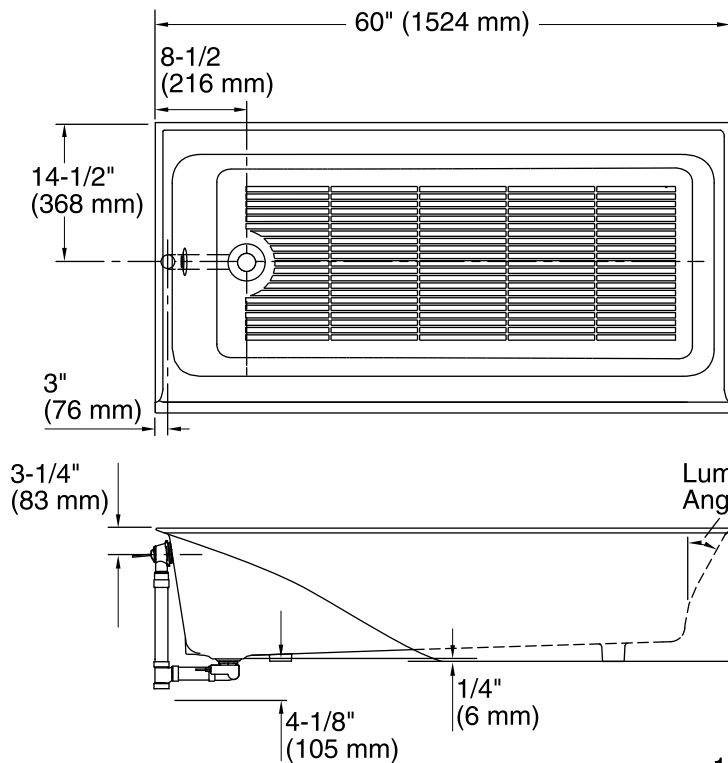
See website for detailed warranty information.

### Available Colors/Finishes

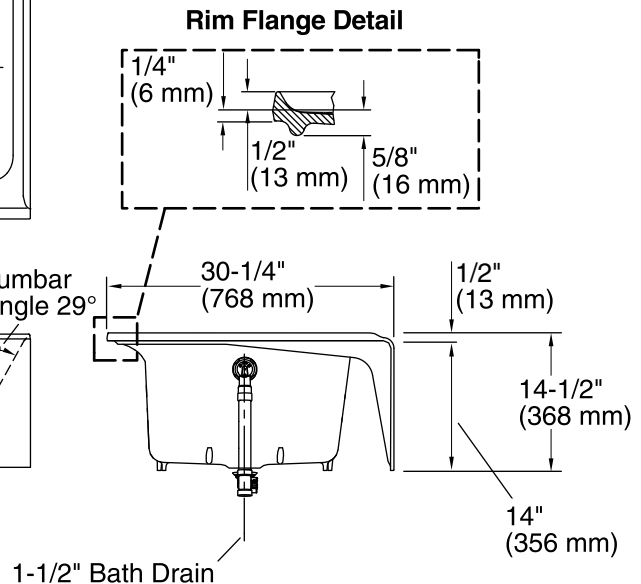
*Color tiles intended for reference only.*

Color	Code	Description
-------	------	-------------

	0	White
	96	Biscuit
	47	Almond
	NY	Dune
	G9	Sandbar



No change in measurement if connected with drain illustrated. (K-37383)



### Technical Information

All product dimensions are nominal.

Installation:	Three-wall alcove
Drain location:	Left
Basin area, bottom:	48-3/4" x 19-5/16" (1238 mm x 491 mm)
Basin area, top:	54-11/16" x 21-3/16" (1389 mm x 538 mm)
Weight:	310 lbs (140.6 kg)
Minimum floor load:	52 lbs/ft <sup>2</sup> (253.9 kg/m <sup>2</sup> )
Water depth:	9" (229 mm)
Water capacity:	32.6 gal (123.4 L)
Minimum flat for door:	2-5/8" (66 mm)

### Notes

Measure your actual product for rough-in details. Install this product according to the installation instructions.

The hot water supply should be 70% of the capacity of the bath or greater. Installations will vary.

ADA compliant when installed to the specific requirements of these regulations.