

#### Features

- 8" (203 mm) centers.
- Swivel/rigid gooseneck spout.
- 9-11/16" (246 mm) spout reach.
- 1/4-turn full brass ceramic valve.
- 2.0 gal/min (7.6 l/min) maximum flow rate [max at 60 psi (4.14 bar)].
- Vandal-resistant aerator.
- 4-1/16" vandal-proof metal wristblade lever handles.
- Integral Supply Stops with lock key for easy and convenient access.
- Drain not included.

#### Material

- Solid brass construction with thick chrome plating for rough commercial applications.

#### Installation

- Eccentric inlet shanks for easy installation.

#### Recommended Products/Accessories

K-23723 Faucet cleaner



ADA

CSA B651

OBC

#### Codes/Standards

ASME A112.18.1/CSA B125.1  
DOE - Energy Policy Act 1992  
ADA  
ICC/ANSI A117.1  
CSA B651  
OBC

#### KOHLER® One-Year Limited Warranty

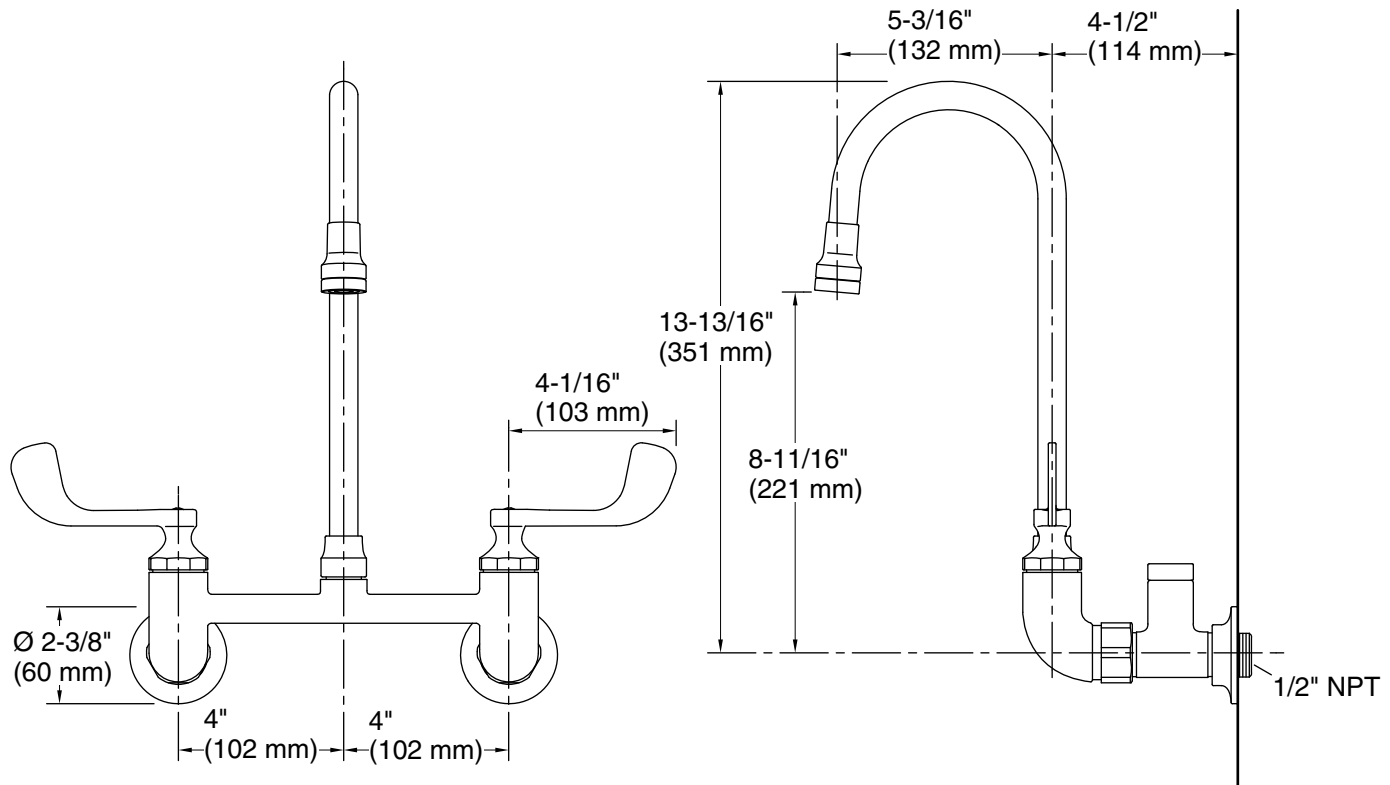
See website for detailed warranty information.

#### Available Colors/Finishes

*Color tiles intended for reference only.*

Color	Code	Description
-------	------	-------------

	CP	Polished Chrome
--------------------------------------------------------------------------------------	----	-----------------



### Technical Information

All product dimensions are nominal.

#### Faucet:

Flow rate: 2 gal/min (7.6 l/min)

Pressure: 60 psi (4.1 bar)

Valve body: Cast brass

Drain included: No

#### Spout:

Spout reach: 9-11/16" (246 mm)

Handle clearance: 3" (76 mm)

### Notes

Install this product according to the installation instructions.

ADA, OBC, CSA B651 compliant when installed to the specific requirements of these regulations.