

## Features

- 36-inch minimum base cabinet width.
- Large/medium bowls.
- 9-inch depth.
- No faucet holes.
- Smart Divide® features a lower bowl divider that increases workspace and versatility.
- Rear drain increases workspace in the sink and allows for more storage space underneath the sink.
- SilentShield® sound-absorption technology offers quieter performance.
- Includes a sink bridge utility shelf with dishcloth bar and a bottom sink rack.
- Includes installation hardware.
- Rounded 10mm corners are easy to clean.

## Material

- Handcrafted from 16-gauge stainless steel.

## Installation

- Under-mount

## Recommended Products/Accessories

- K-6647 Right-Bowl Sink Rack
- K-6377 Sponge Caddy
- K-6378 Kitchen Brush Caddy
- K-6379 Kitchen Squeegee
- K-6382 Disinfecting Wipes Dispenser
- K-6383 Soap Dispenser
- K-8618 Paper Towel Holder
- K-8619 Flexible Kitchen Mat
- K-8801 Sink Strainer
- K-8799 Sink Strainer
- K-8624 Dish Scraper

## Included Components

Product consists of:

- K-6429 Utility Rack
- K-6646 Left-Bowl Sink Rack

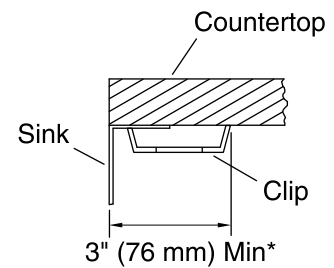
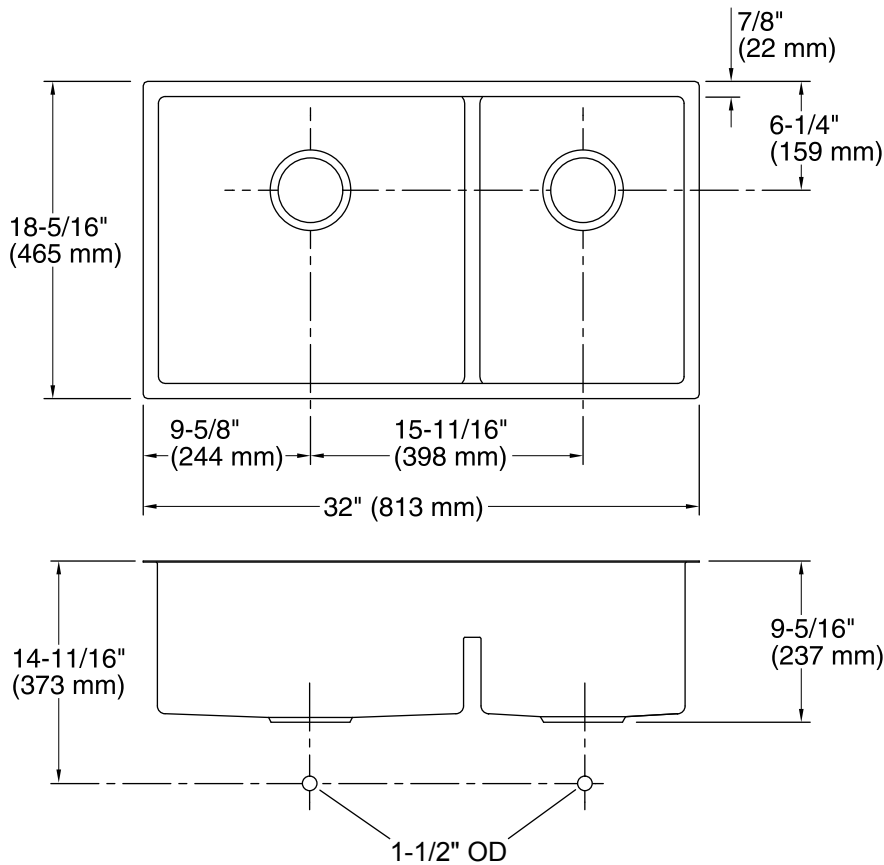


## Codes/Standards

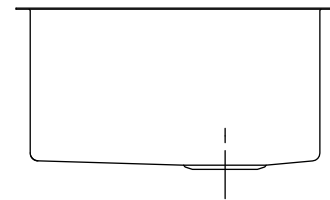
ASME A112.19.3/CSA B45.4

## Lifetime Limited Warranty for KOHLER® Stainless Steel Sinks

See website for detailed warranty information.



\* Allow clearance around sink rim for clip attachment.



## Technical Information

All product dimensions are nominal.

Bowl configuration: Off-set Large/small

Installation: Under-mount

Min. base cabinet width: 36" (914 mm)

Bowl area (Left): Length: 17-1/2" (445 mm)  
Width: 16-9/16" (420 mm)  
Bowl depth: 9" (229 mm)  
Water depth: 4-11/16" (118 mm)

Bowl area (Right): Length: 11-5/8" (295 mm)  
Width: 16-9/16" (420 mm)  
Bowl depth: 9" (229 mm)  
Water depth: 4-11/16" (118 mm)

Drain hole: 3-3/4" (94 mm)

Template: 1207216-7, required, included

## Notes

Install this product according to the installation instructions.