

Features

- Integrated push-button diverter provides simple, intuitive control of two shower outlets.
- Eco-mode diverter meets CALGreen requirements for eco-friendly operation by limiting activation of only one outlet at a time.
- Sleek, minimalist design.
- Easy-to-use temperature dial control.
- Suitable for dual shower applications.
- Duration/Countdown feature.
- Digital thermostatic valve technology guarantees accurate, safe temperature control.
- Adjustable high-temperature limit for added safety.
- Compatible with the DTV Mode™ BLUETOOTH® app to provide remote on/off capability and setting adjustments.

Installation

- Surface-mount.

Required Products/Accessories

K-528-PM two-port digital thermostatic valve

Included Components

Additional Components:

Mounting hardware
RJ11 Cable extension 20 ft
RJ11 Coupler
Removal tool



Codes/Standards

UL 1951
CSA C22.2 No. 14
CSA C22.2 No. 68

KOHLER® Electronic Faucets, Valves, and Controls Five-Year Limited Warranty

See website for detailed warranty information.

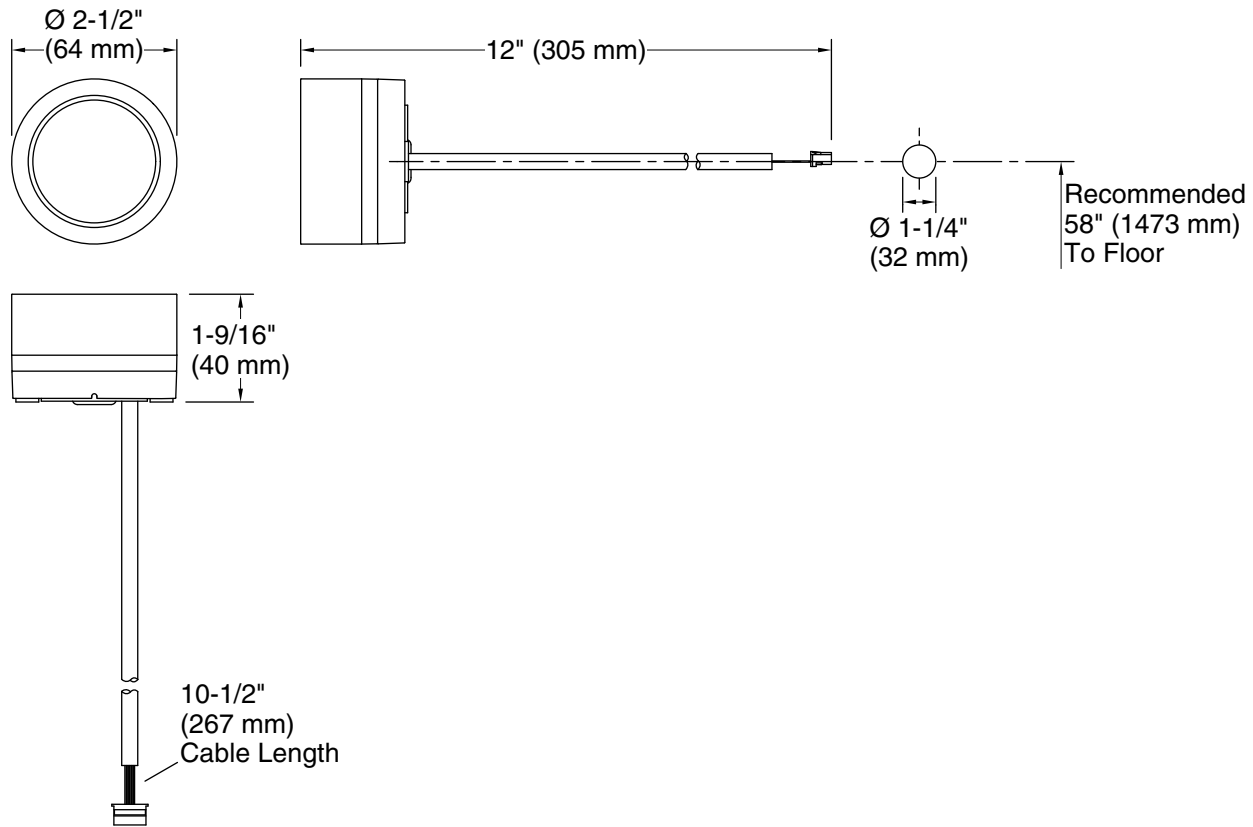
The BLUETOOTH® word mark and logos are registered trademarks owned by Bluetooth SIG, Inc. and any use of such marks by Kohler Co. is under license. Other trademarks and trade names are those of their respective owners.

Available Colors/Finishes

Color tiles intended for reference only.

Color	Code	Description
-------	------	-------------

	CP	Polished Chrome
--	----	-----------------



Technical Information

All product dimensions are nominal.

Drain included:	No
Bluetooth® range:	32 ft (0.8 m)
Bluetooth® version:	4.1
Max. Ambient temp:	140°F (60°C)
Min. Operating temp:	86°F (30°C)
Max. Operating temp:	120°F (48.9°C)
Max. Relative humidity condensing:	100%

Notes

Install this product according to the installation instructions.