

Features

- No Custom Bags – Designed to fit any brand of 13-gallon trash bags.
- Fingerprint Proof – Stays cleaner longer.
- Effortless Bag Exchange – Raised liner and rim locks open for easy bag change.
- Quiet-Close Lid – Lid closes gently and silently.
- Removable Liner – Liner is easy to remove for cleaning.
- Won't Scuff – Hinge design protects the wall.
- Space-Saving – Fits snug against the wall.
- Hands-Free Operation – Lid opens with durable foot pedal.
- 13-Gallon (49.2 Liter)
- 16.8" (427 mm) x 13" (330 mm) x 26.4" (671 mm) or 36.2" (919 mm) with Lid Open



Codes/Standards


None Applicable

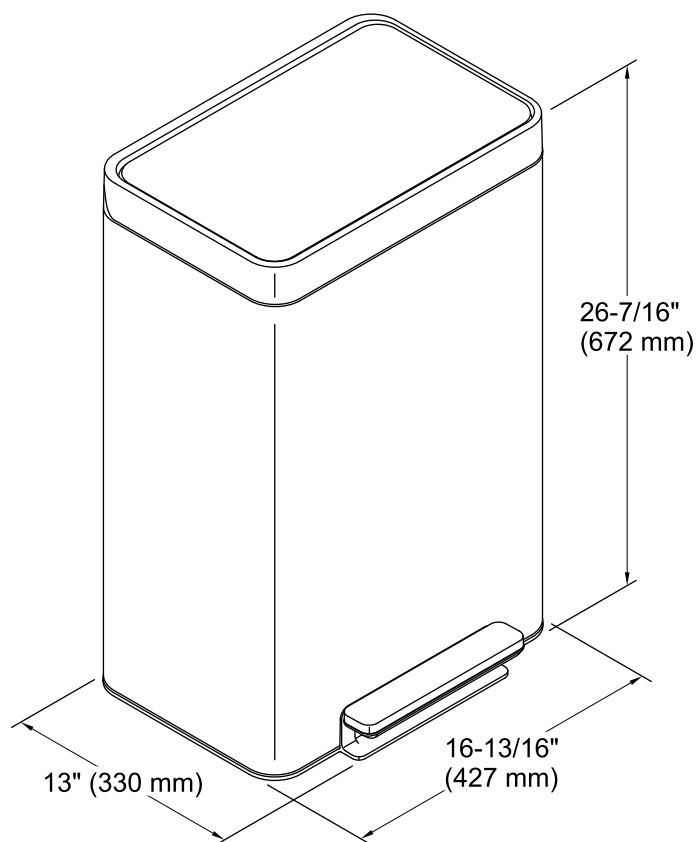
KOHLER® Step Trash Can Ten-Year Limited Warranty

See website for detailed warranty information.

Available Color/Finishes

Color tiles intended for reference only.

Color	Code	Description
	ST	Stainless Steel
	BST	



Technical Information

All product dimensions are nominal.