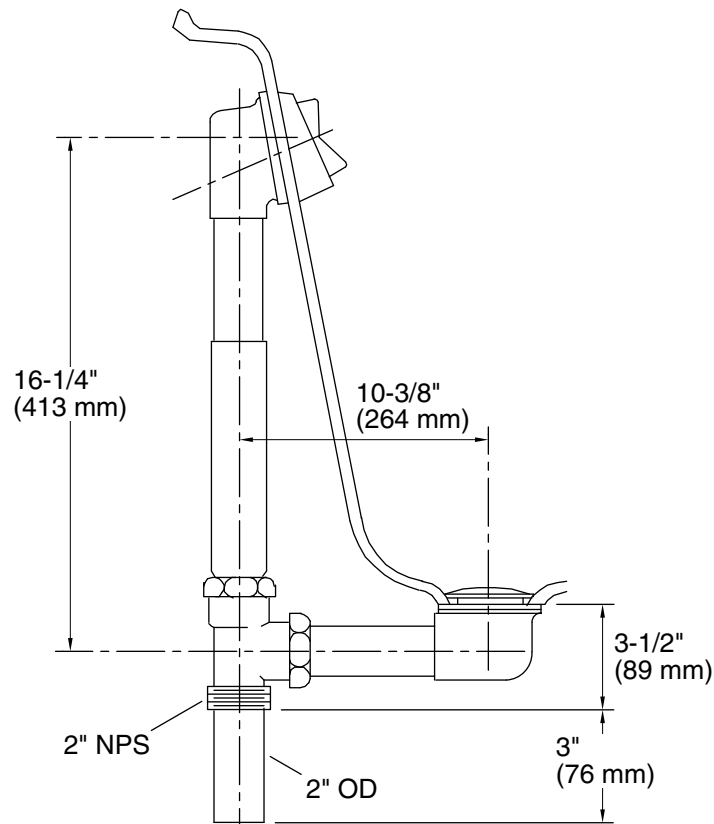


FEATURES

- Solid brass construction for durability and reliability
- Complements Barbara Barry cast iron bathtub

P21573

Used with P50014



SPECIFIED MODEL

Model	Description	Finishes		
P21573-00	Barbara Barry Waste and Overflow	<input type="checkbox"/> CP Polished Chrome	<input type="checkbox"/> AD Nickel Silver	<input type="checkbox"/> AG Brushed Nickel

We reserve the right to make revisions without notice in the design of products or in packaging unless this right has specifically been waived at the time the order is accepted.