



# Kalia

ONCE UPON A TIME...WATER®

## ROUNDONE™

### BF1636-XXX

#### TCD1 Thermostatic Coaxial Shower System

#### SPECIFICATIONS

#### Components included

- BF1585-XXX\*: 2-way AQUATONIK™ type T/P 1/2" coaxial valve with diverter (operates 1 or 2 components at a time) and decorative trim
- BF1633-XXX\*: Rainhead with 90° wall arm
- 104286-XXX\*: 2-jet handshower (2 direct functions and 1 shared function)
- 103577-XXX\*: Wallbar
- 101620-XXX\*: 60" flexible and soft PVC hose
- 102847-XXX\*: Wall outlet

\*XXX means that the finish color must be specified.

#### Colors (Finishes)

- Chrome: BF1636-110
- Matte Black: BF1636-160

#### Certifications

The specified model meets or exceeds the following standards;



See the following sheets for the technical features of each component.

#### Installation Notes

This product must be installed following the installation instructions provided.

#### WARRANTY

Kalia Inc. guarantees all aspects of its products to be free of defects in material and workmanship for normal residential use. **Refer to the warranty included with the Kalia products for details.**



# Kalia

ONCE UPON A TIME...WATER®

1355, 2<sup>nd</sup> Street, Industrial Park  
Sainte-Marie (Québec)  
Canada G6E 1G9

T 418-387-9090  
1-877-GO-KALIA (1-87- 465-2542)  
F 418 387-9089

KaliaStyle.com





ONCE UPON A TIME...WATER®

**ROUNDONE™**

**BF1585**

2-way AQUATONIK™ type T/P 1/2" coaxial valve with diverter and decorative trim

**SPÉCIFICATIONS**

**Features**

- 2 male water inlets 1/2NPT threaded or welded
- 2 male water outlets 1/2NPT threaded or welded
- Solid brass construction
- Total adjustment of 32 mm (1 1/4")
- Can be installed back to back
- Support included for better stability during installation
- Operates 1 or 2 components at a time

**Colors (Finishes)**

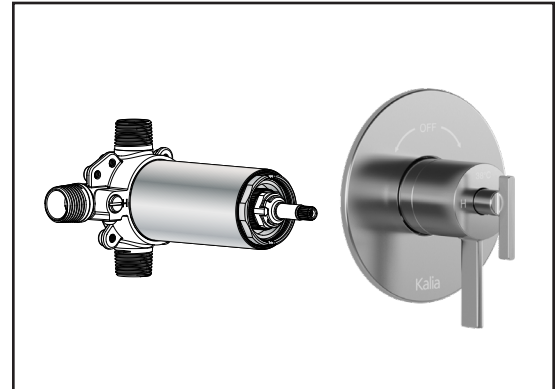
- Chrome: BF1585-110
- Matte Black: BF1585-160

**Maximum flow rate**

- 1 outlet: 25 L/min (6.6 gpm) at 60 psi
- 2 outlets: 29 L/min (7.7 gpm) at 60 psi

**Certifications**

The specified model meets or exceeds the following standards;



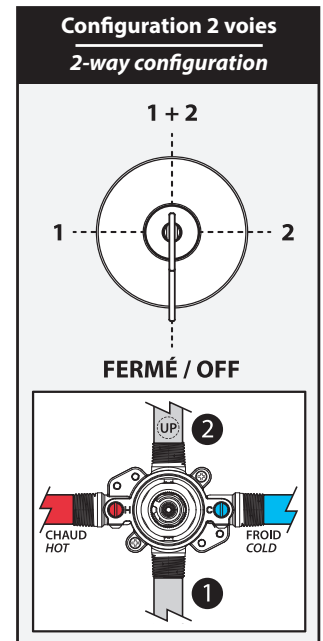
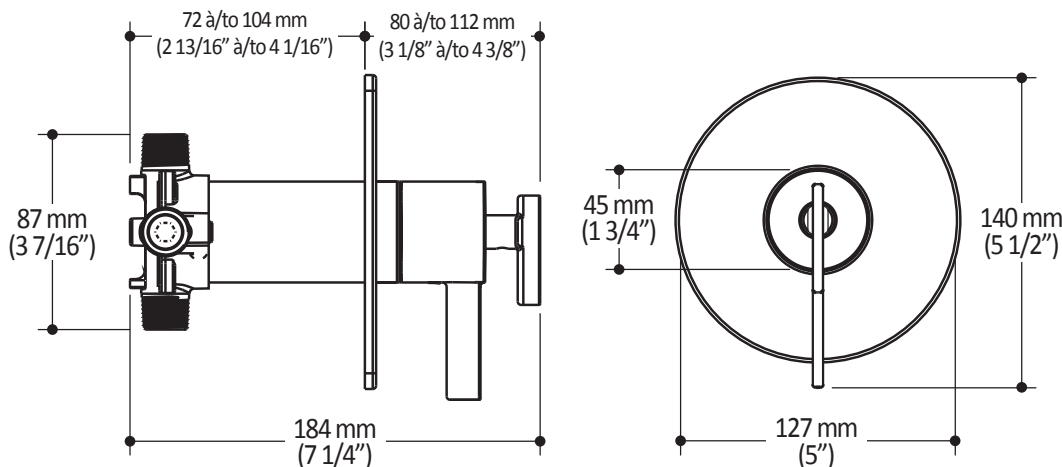
**Installation Notes**

This product must be installed following the installation instructions provided.

**WARRANTY**

Kalia Inc. guarantees all aspects of its products to be free of defects in material and workmanship for normal residential use. Refer to the warranty included with the Kalia products for details.

Product dimensions:



**Important:** Dimensions are approximated and are subject to changes. Please refer to the installation instructions.



ONCE UPON A TIME...WATER®

1355, 2<sup>nd</sup> Street, Industrial Park  
Sainte-Marie (Québec)  
Canada G6E 1G9

T 418-387-9090  
1-877-GO-KALIA (1-87- 465-2542)  
F 418 387-9089

KaliaStyle.com



**Caractéristiques**

- Entrée d'eau mâle 1/2NPT sur le bras mural
- Entrée d'eau femelle G1/2 sur la tête de pluie
- Diamètre tête de pluie de 220 mm (8 5/8")
- Système antitartre avec jets de pulvérisation flexibles
- Orientation ajustable avec joint à rotule

**Couleurs (Finis)**

- Chrome : BF1633-110
- Noir mat : BF1633-160

**Débit maximal**

- 9.5 L/min (2.5 gpm) à 80 psi

**Certifications**

Le modèle spécifié rencontre ou dépasse les normes suivantes ;



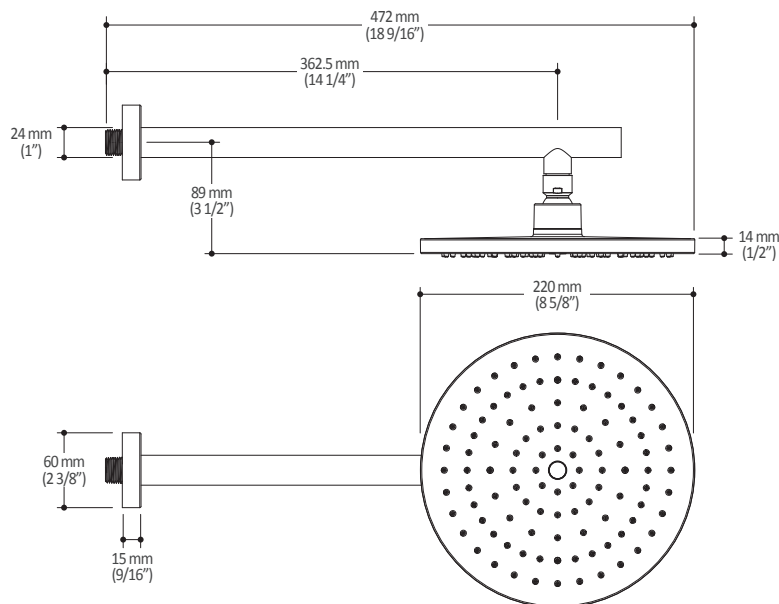
**Notes d'installation**

L'installation doit être conforme aux instructions d'installation fournies avec le produit.

**GARANTIE**

Kalia inc. garantit ses produits contre tout défaut de matériel ou de fabrication dans des conditions normales d'utilisation et d'entretien. **Veillez vous référer à la garantie Kalia comprise avec chacun des produits pour obtenir plus de détails.**

*Dimensions du produit :*



**Important :** Les dimensions sont approximatives et sont sujettes à changements sans préavis. Veuillez vous référer aux instructions d'installation.



ONCE UPON A TIME...WATER®

104286

2-jet handshower

**SPECIFICATIONS**

**Features**

- Dimension: 120 mm (4 3/4")
- Anti-scale system with soft sprays
- Male water inlet G1/2
- 2 direct functions and 1 shared function

**Colors (Finishes)**

- Chrome: 104286-110
- Matte Black: 104286-160

**Maximum flow rate**

- 9.5 L/min (2.5 gpm) at 80 psi

**Certifications**

*The specified model meets or exceeds the following standards;*



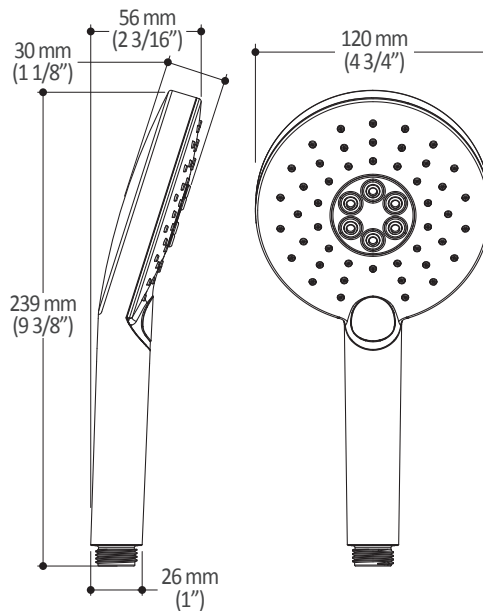
**Installation Notes**

This product must be installed following the installation instructions provided.

**WARRANTY**

Kalia Inc. guarantees all aspects of its products to be free of defects in material and workmanship for normal residential use. **Refer to the warranty included with the Kalia products for details.**

*Product dimensions:*



**Important :** Dimensions are approximated and are subject to changes. Please refer to the installation instructions.



ONCE UPON A TIME...WATER®

1355, 2<sup>nd</sup> Street, Industrial Park  
Sainte-Marie (Québec)  
Canada G6E 1G9

T 418-387-9090  
1-877-GO-KALIA (1-87- 465-2542)  
F 418 387-9089

KaliaStyle.com





ONCE UPON A TIME...WATER®

103577

Wallbar for handshower

*SPÉCIFICATIONS*

**Features**

- Total height of 742 mm (30")
- Easy-to-use gliding system
- Locking system

**Colors (Finishes)**

- Chrome: 103577-110
- Matte Black: 103577-160



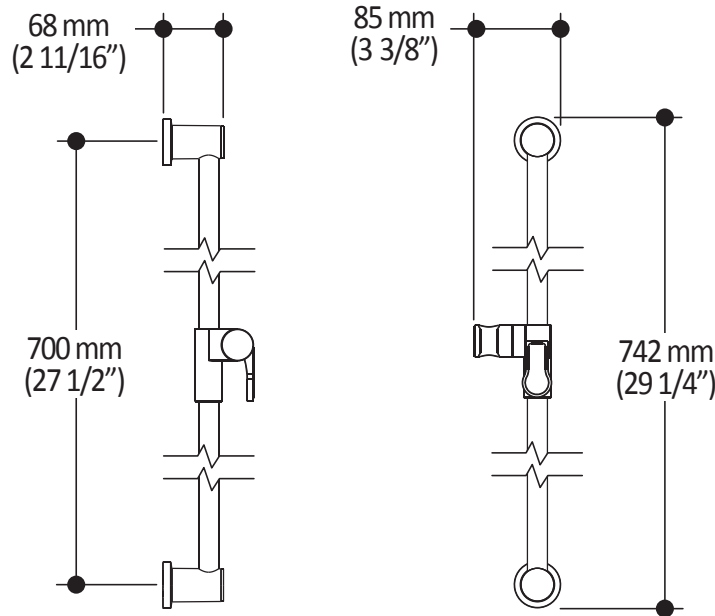
**Installation Notes**

This product must be installed following the installation instructions provided.

**WARRANTY**

Kalia Inc. guarantees all aspects of its products to be free of defects in material and workmanship for normal residential use. Refer to the warranty included with the Kalia products for details.

*Product dimensions:*



**Important :** Dimensions are approximated and are subject to changes. Please refer to the installation instructions.



ONCE UPON A TIME...WATER®

1355, 2<sup>nd</sup> Street, Industrial Park  
Sainte-Marie (Québec)  
Canada G6E 1G9

T 418-387-9090  
1-877-GO-KALIA (1-87- 465-2542)  
F 418 387-9089

KaliaStyle.com





ONCE UPON A TIME...WATER®

# 102847 Wall Outlet

## SPECIFICATIONS

### Features

- Male or female water inlet 1/2NPT
- Male water outlet G1/2
- Solid brass construction
- PVD finish (Physical Vapour Deposit): A high technology process that protects the surface finish for increased durability

### Colors (Finishes)

- Chrome: 102847-110
- Brushed Nickel PVD: 102847-120
- Matte Black: 102847-160

### Certifications

The specified model meets or exceeds the following standards;



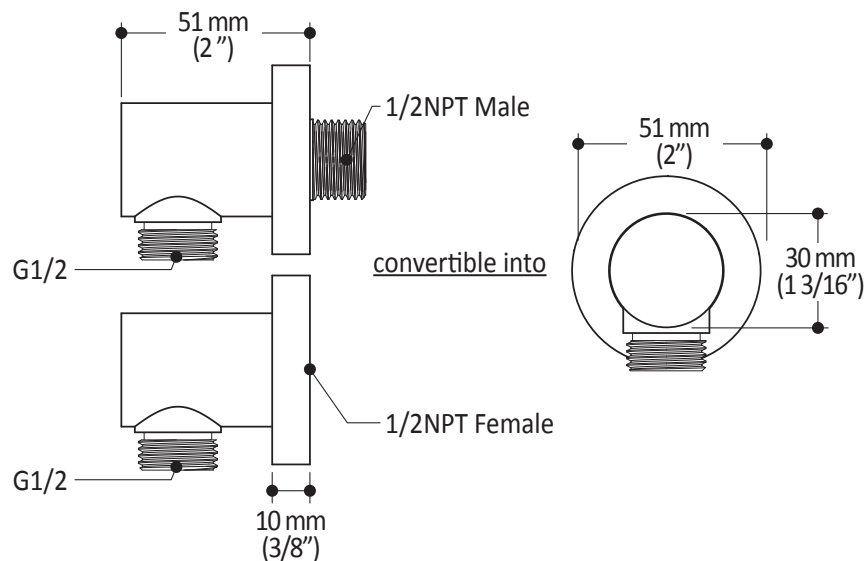
### Installation Notes

This product must be installed following the installation instructions provided.

### WARRANTY

Kalia Inc. guarantees all aspects of its products to be free of defects in material and workmanship for normal residential use. **Refer to the warranty included with the Kalia products for details.**

Product dimensions:



**Important:** Dimensions are approximated and are subject to changes. Please refer to the installation instructions.



ONCE UPON A TIME...WATER®

1355, 2<sup>nd</sup> Street, Industrial Park  
Sainte-Marie (Québec)  
Canada G6E 1G9

T 418-387-9090  
1-877-GO-KALIA (1-87- 465-2542)  
F 418 387-9089

KaliaStyle.com

