



Kalia

ONCE UPON A TIME...WATER®

RUSTIK™

BF1510

PB2 Pressure Balance Tub Shower System

SPECIFICATIONS

Components included

- 103604-110: Handshower
- 103608-110: Solid brass wallbar
- 105007-110: 60" flexible metal hose
- BF1523-110: 1/2" Pressure balance valve with diverter and decorative trim
- 102847-110: Wall outlet
- 103603-110: Tub spout

Colors (Finishes)

- Chrome : BF1510-110

Certifications

The specified model meets or exceeds the following standards;



See the following sheets for the technical features of each component.

Installation Notes

This product must be installed following the installation instructions provided.

WARRANTY

Kalia Inc. guarantees all aspects of its products to be free of defects in material and workmanship for normal residential use. **Refer to the warranty included with the Kalia products for details.**



ONCE UPON A TIME...WATER®

1355, 2nd Street, Industrial Park
Sainte-Marie (Québec)
Canada G6E 1G9

T 418-387-9090
1-877-GO-KALIA (1-877-465-2542)
F 418 387-9089

KaliaStyle.com





ONCE UPON A TIME...WATER®

RUSTIK™

BF1529

STANDARD: Handshower, wallbar and 60" flexible solid brass hose assembly

SPECIFICATIONS

Features

Handshower (13604-110)

- Dimension: 83 mm (3 1/4")
- Water G1/2 male inlet
- Max. flow 9.5 L/min (2.5 gpm) to 80 psi
- Solid brass construction

Wallbar (103608-110)

- Total height of 650 mm (25 5/8")
- Locking system of 1/4 turn
- Solid brass construction

60" flexible solid brass hose (105007-110)

- 1/2 female connection

Color (Finish)

- Chrome : BF1529-110

Certifications

The specified model meets or exceeds the following standards;

ASME A112.18.1 / CSA B125.1



Packaging

- **Dimensions** : 832 mm x 152 mm x 89 mm (32 3/4" x 6" x 3 1/2")
- **Volume** : 0.40 cu ft (0.011 cu m)
- **Total weight**: 4.07 lb (1.85 kg)



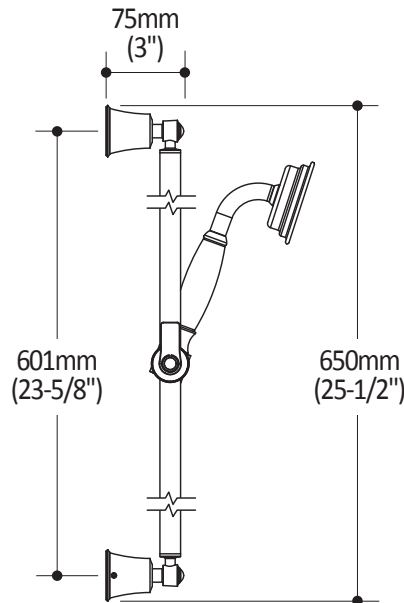
Installation Notes

This product must be installed following the installation instructions provided.

WARRANTY

Kalia inc. guarantees all aspects of its products to be free of defects in material and workmanship for normal residential use. **Refer to the warranty included with the Kalia products for details.**

Product dimensions:



Important : Dimensions are approximated and are subject to changes. Please refer to the installation instructions.



ONCE UPON A TIME...WATER®

1355, 2nd Street, Industrial Park
Sainte-Marie (Québec)
Canada G6E 1G9

T 418-387-9090
1-877-GO-KALIA (1-87- 465-2542)
F 418 387-9089

KaliaStyle.com





RUSTIK™

BF1523

1/2" Pressure Balance Valve With Diverter and Decorative Trim

SPECIFICATIONS

Features

- No visible screws
- 1/2" male inlet NPT threaded or welded
- Shut-off valves included
- Total adjustment of 19 mm (3/4")
- Support for better stability during installation included
- Can be installed back-to-back
- Push-button diverter with automatic reset
- Solid brass construction

Colors (Finishes)

- Chrome : BF1523-110

Certifications

The specified model meets or exceeds the following standards;

ASME A112.18.1 / CSA B125.1



Packaging

- **Dimensions:** 362mm x 184mm x 191mm (14 1/4" x 7 1/4" x 7 1/2")
- **Volume:** 0.45 cu ft (0.013 cu m)
- **Total weight:** 4.56 lb (2.07 kg)

Maximum flow rate

- 20 liters/min. (5.28 gallons/min.) at 60 psi



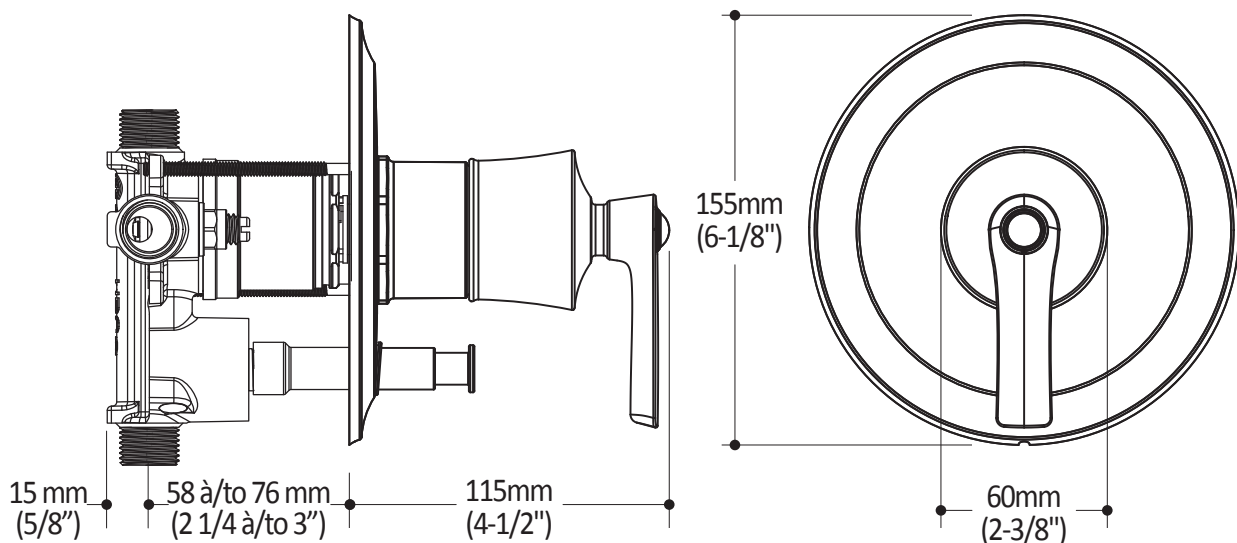
Installation Notes

This product must be installed following the installation instructions provided.

WARRANTY

Kalia Inc. guarantees all aspects of its products to be free of defects in material and workmanship for normal residential use. **Refer to the warranty included with the Kalia products for details.**

Product dimensions:



Important: Dimensions are approximated and are subject to changes. Please refer to the installation instructions.



ONCE UPON A TIME...WATER®

1355, 2nd Street
Sainte-Marie (Quebec)
Canada G6E 1G9

T 418-387-9090
1-877-GO-KALIA (1-877-465-2542)
F 418-387-9089

KaliaStyle.com





ONCE UPON A TIME...WATER®

102847 Wall Outlet

SPECIFICATIONS

Features

- Male or female water inlet 1/2NPT
- Male water outlet G1/2
- Solid brass construction
- PVD finish (Physical Vapour Deposit): A high technology process that protects the surface finish for increased durability

Colors (Finishes)

- Chrome: 102847-110
- Brushed Nickel PVD: 102847-120
- Matte Black: 102847-160

Certifications

The specified model meets or exceeds the following standards;



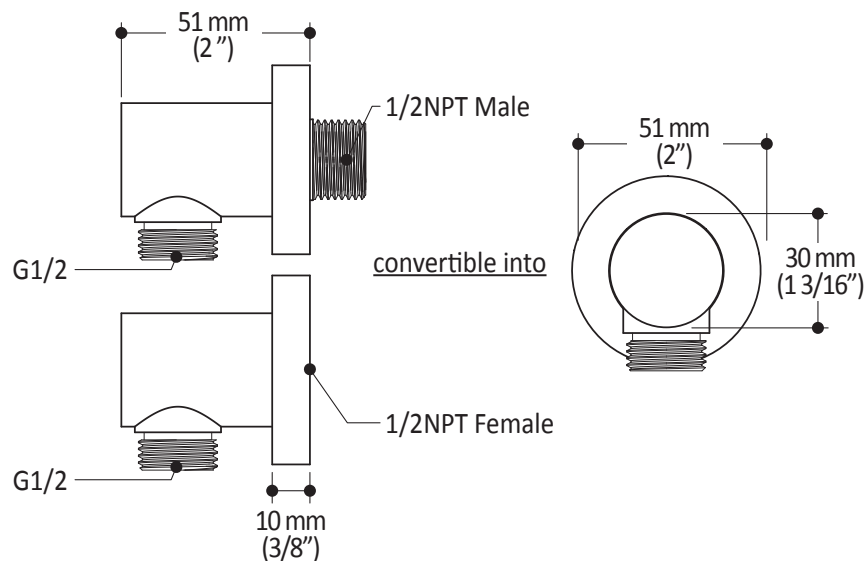
Installation Notes

This product must be installed following the installation instructions provided.

WARRANTY

Kalia Inc. guarantees all aspects of its products to be free of defects in material and workmanship for normal residential use. **Refer to the warranty included with the Kalia products for details.**

Product dimensions:



Important: Dimensions are approximated and are subject to changes. Please refer to the installation instructions.



ONCE UPON A TIME...WATER®

1355, 2nd Street, Industrial Park
Sainte-Marie (Québec)
Canada G6E 1G9

T 418-387-9090
1-877-GO-KALIA (1-87- 465-2542)
F 418 387-9089

KaliaStyle.com





RUSTIK™

103603

Tub Spout

SPECIFICATIONS

Features

- Solid brass construction
- Hidden water jet
- High water flow
- 1/2" NPT female inlet

Colors (Finishes)

- Chrome : 103603-110

Certifications

The specified model meet or exceed the following standard;

ASME A112.18.1 / CSA B125.1



Packaging

- **Dimensions:** 305mm x 132mm x 82mm (12" x 5 3/16" x 3 1/4")
- **Volume:** 0.117 cu ft (0.0033 cu m)
- **Total weight:** 1.02 lb (2.25 kg)



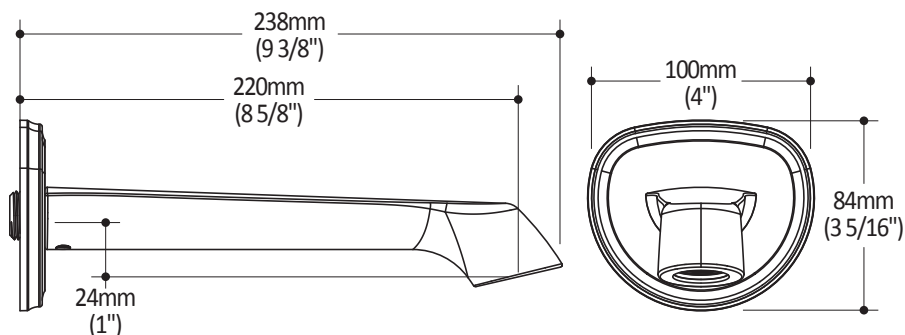
Installation Notes

This product must be installed following the installation instructions provided.

WARRANTY

Kalia Inc. guarantees all aspects of its products to be free of defects in material and workmanship for normal residential use. **Refer to the warranty included with the Kalia products for details.**

Product dimensions:



Important: Dimensions are approximated and are subject to changes. Please refer to the installation instructions.



ONCE UPON A TIME...WATER®

1355, 2nd Street
Sainte-Marie (Quebec)
Canada G6E 1G9

T 418-387-9090
1-877-GO-KALIA (1-877-465-2542)
F 418-387-9089

KaliaStyle.com

