



102852

STANDARD: 3-Jet Handshower

SPECIFICATIONS

Features

- Diameter of 100mm (4")
- Anti-scale system with soft sprays
- Water G1/2 male inlet
- 3 direct positions and 2 shared positions
- PVD finish (Physical Vapour Deposit): A high technology process that protects the surface finish for increased durability

Colors (Finishes)

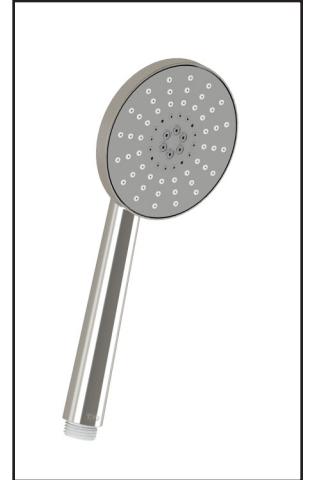
- Chrome : 102852-110
- Brushed Nickel PVD : 102852-120

Packaging

- **Dimensions:** 305mm x 117mm x 92mm (12" x 4 5/8" x 3 5/8")
- **Volume:** 0.12 cu ft (0.003 cu m)
- **Total weight:** 0.47 lb (0.214 kg)

Maximum flow rate

- 9.5 liters/min. (2.5 gallons/min.) at 80 psi



Certifications

The specified model meets or exceeds the following standards;

- ASME A112.18.1 / CSA B125.1



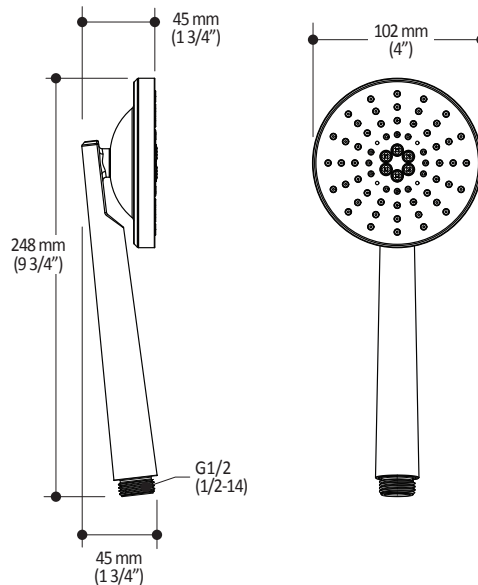
Installation Notes

This product must be installed following the installation instructions provided.

WARRANTY

Kalia Inc. guarantees all aspects of its products to be free of defects in material and workmanship for normal residential use. **Refer to the warranty included with the Kalia products for details.**

Product dimensions:



Important: Dimensions are approximated and are subject to changes. Please refer to the installation instructions.

Kalia inc.
1355, 2nd Street
Sainte-Marie (Quebec)
Canada G6E 1G9

t. 1-418-387-9090
1 877 GO KALIA (1-877-465-2542)
f. 1-418-387-9089
www.KaliaStyle.com