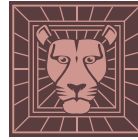


60" D

Item Number:

- 147-114-5631
- 147-114-5641
- 147-114-5661
- 147-114-5671
- 147-114-5681

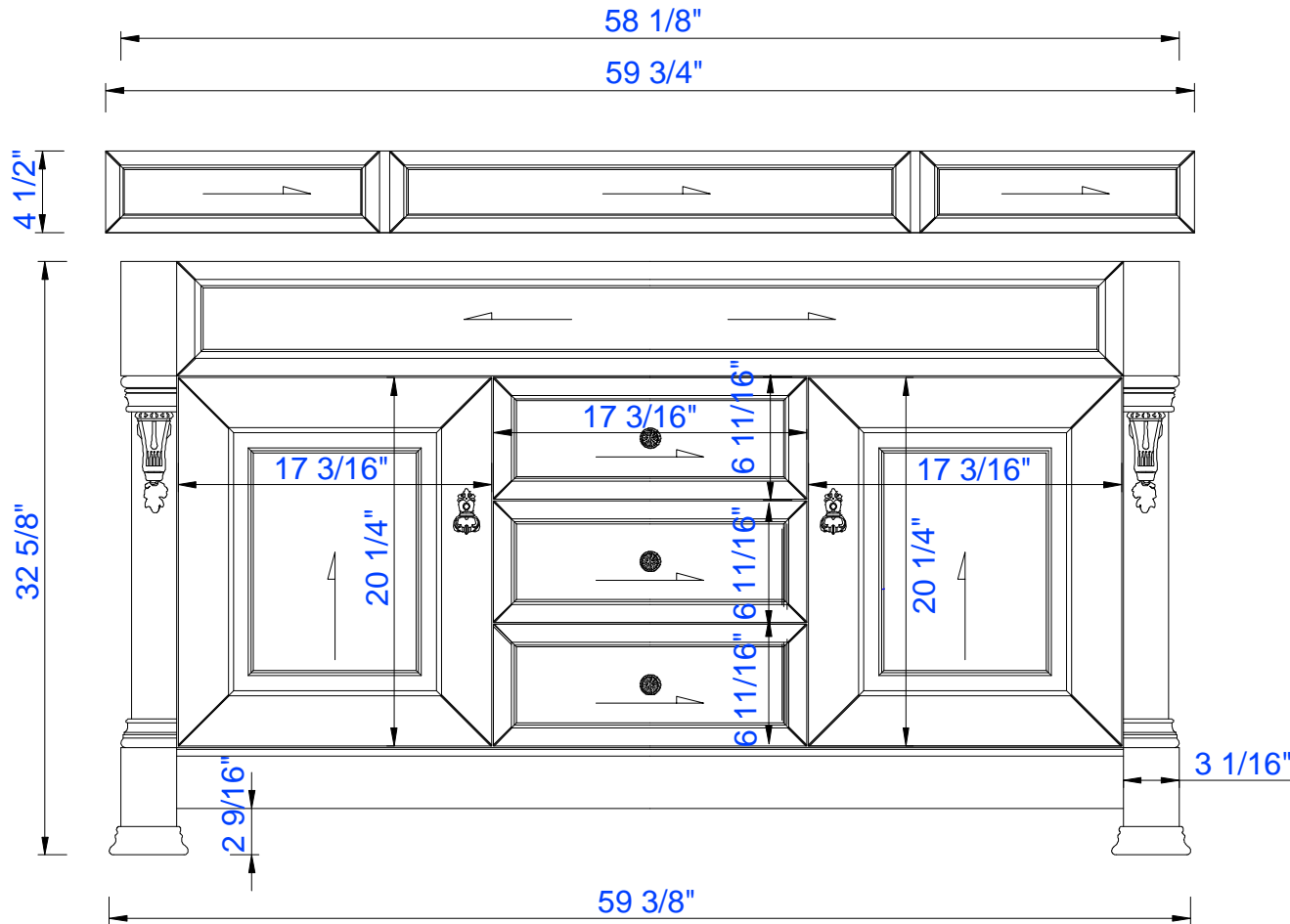
JAMES MARTIN



VANITIES™

Brookfield 60" Cabinet

Diagrams with Dimensions
page 01 of 03



NOTE ONE: Countertops are not shown in these diagrams. (Cabinet Only)

NOTE TWO: Wooden Backsplash (Shown) is designed for the molding detail to align with sinks in James Martin's Optional Countertops. Customers' own countertops and sinks may align differently.

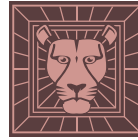
Please consult our website for Countertop Diagrams: www.jamesmartinvanities.com

60" D

Item Number:

- 147-114-5631
- 147-114-5641
- 147-114-5661
- 147-114-5671
- 147-114-5681

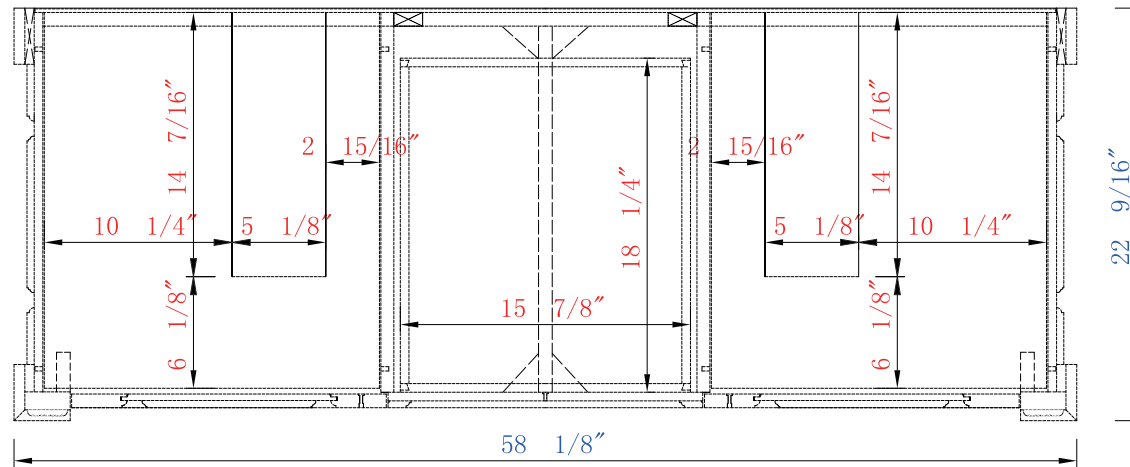
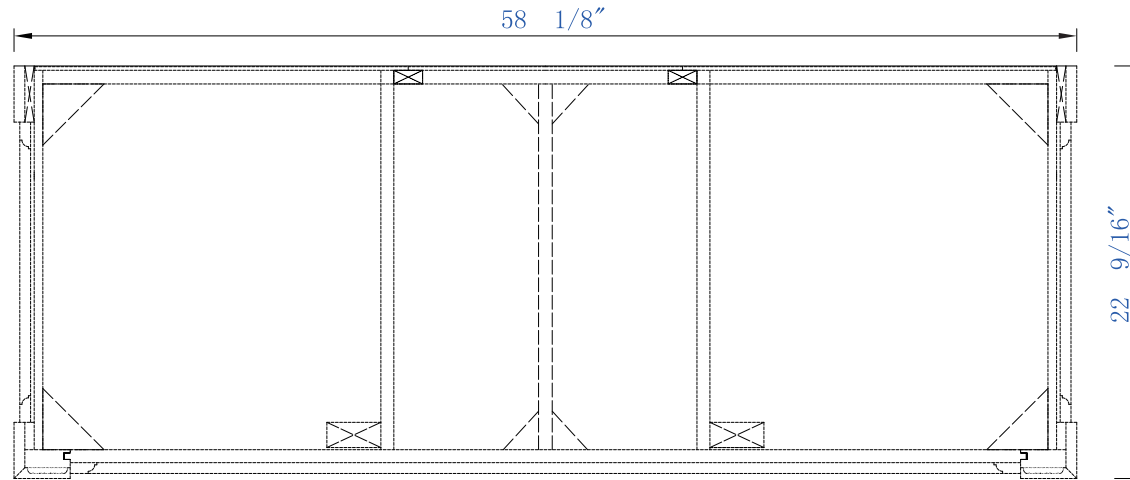
JAMES MARTIN



VANITIES™

Brookfield 60" Cabinet

Diagrams with Dimensions
page 02 of 03



NOTE ONE: Countertops are not shown in these diagrams. (Cabinet Only)

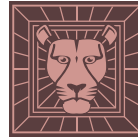
NOTE TWO: Internal Shelves (Shown) are designed to align with sinks in James Martin's Optional Countertops. Customers' own countertops and sinks may align differently, and modification may be required. Please consult our website for Countertop Diagrams: www.jamesmartinvanities.com

60" D

Item Number:

- 147-114-5631
- 147-114-5641
- 147-114-5661
- 147-114-5671
- 147-114-5681

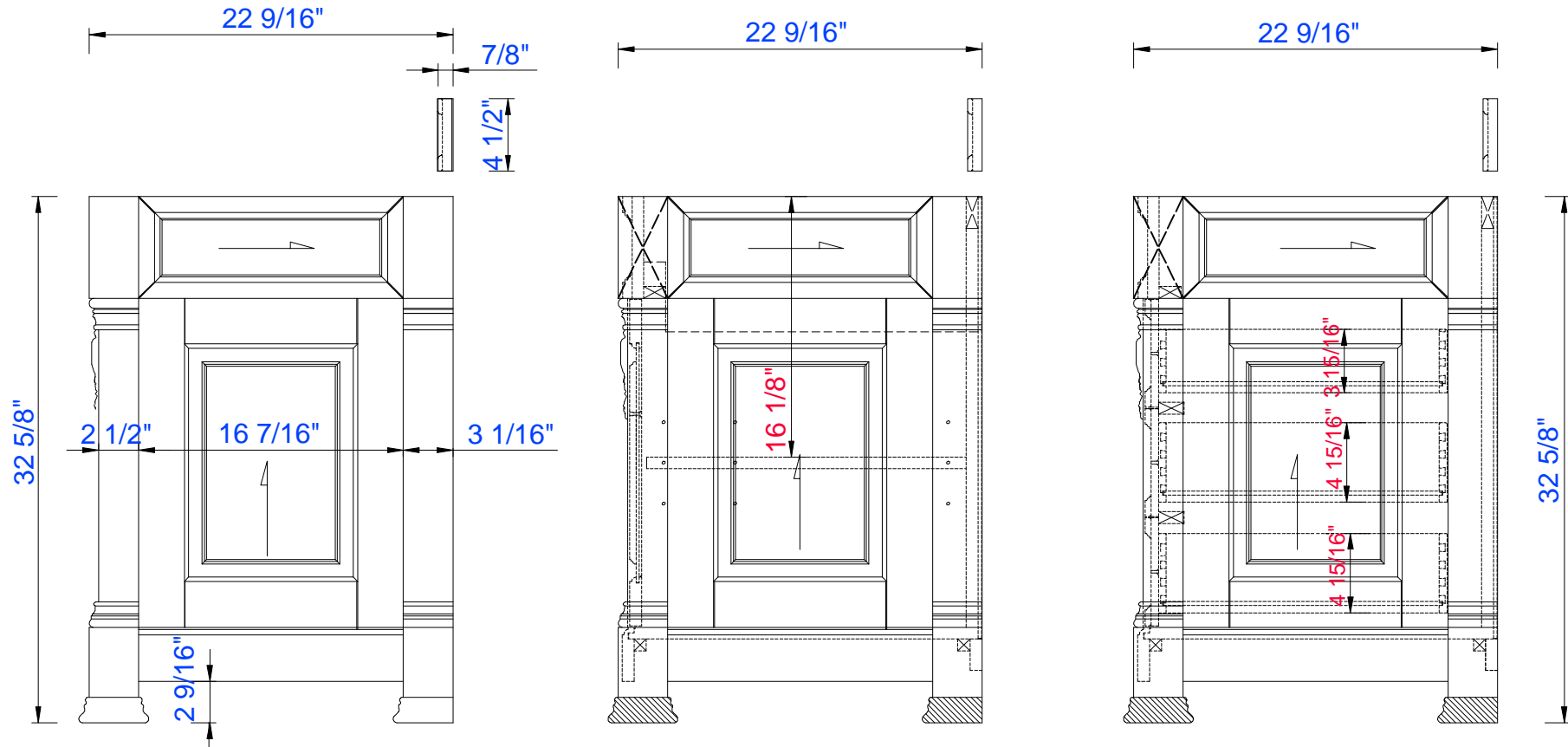
JAMES MARTIN



VANITIES™

Brookfield 60" Cabinet

Diagrams with Dimensions
page 03 of 03



NOTE ONE: Countertops are not shown in these diagrams. (Cabinet Only)

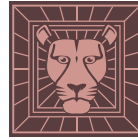
NOTE TWO: Wooden Backsplash (Shown) is designed for the molding detail to align with sinks in James Martin's Optional Countertops. Customers' own countertops and sinks may align differently.

Please consult our website for Countertop Diagrams: www.jamesmartinvanities.com

Item Number:

- 147-114-5631
- 147-114-5641
- 147-114-5661
- 147-114-5671
- 147-114-5681

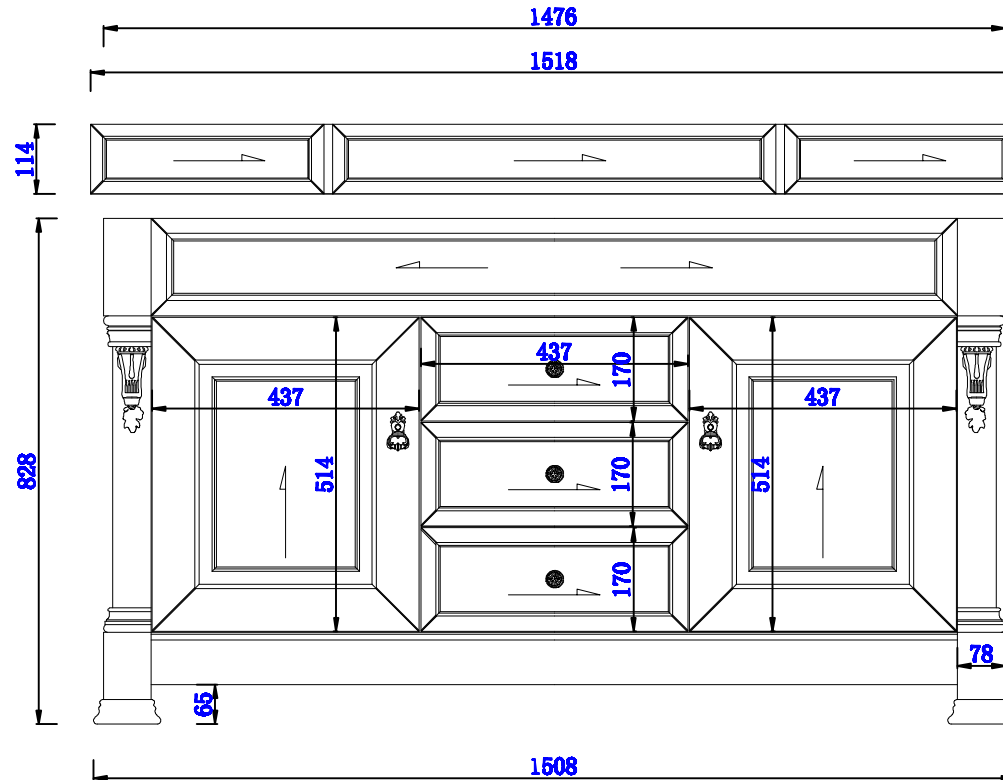
JAMES MARTIN



VANITIES™

Brookfield 1524mm Cabinet

Diagrams with Dimensions
page 01 of 03



NOTE ONE: Countertops are not shown in these diagrams. (Cabinet Only)

NOTE TWO: Wooden Backsplash (Shown) is designed for the molding detail to align with sinks in James Martin's Optional Countertops. Customers' own countertops and sinks may align differently.

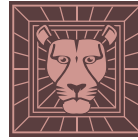
Please consult our website for Countertop Diagrams: www.jamesmartinvanities.com

1524mm

Item Number:

- 147-114-5631
- 147-114-5641
- 147-114-5661
- 147-114-5671
- 147-114-5681

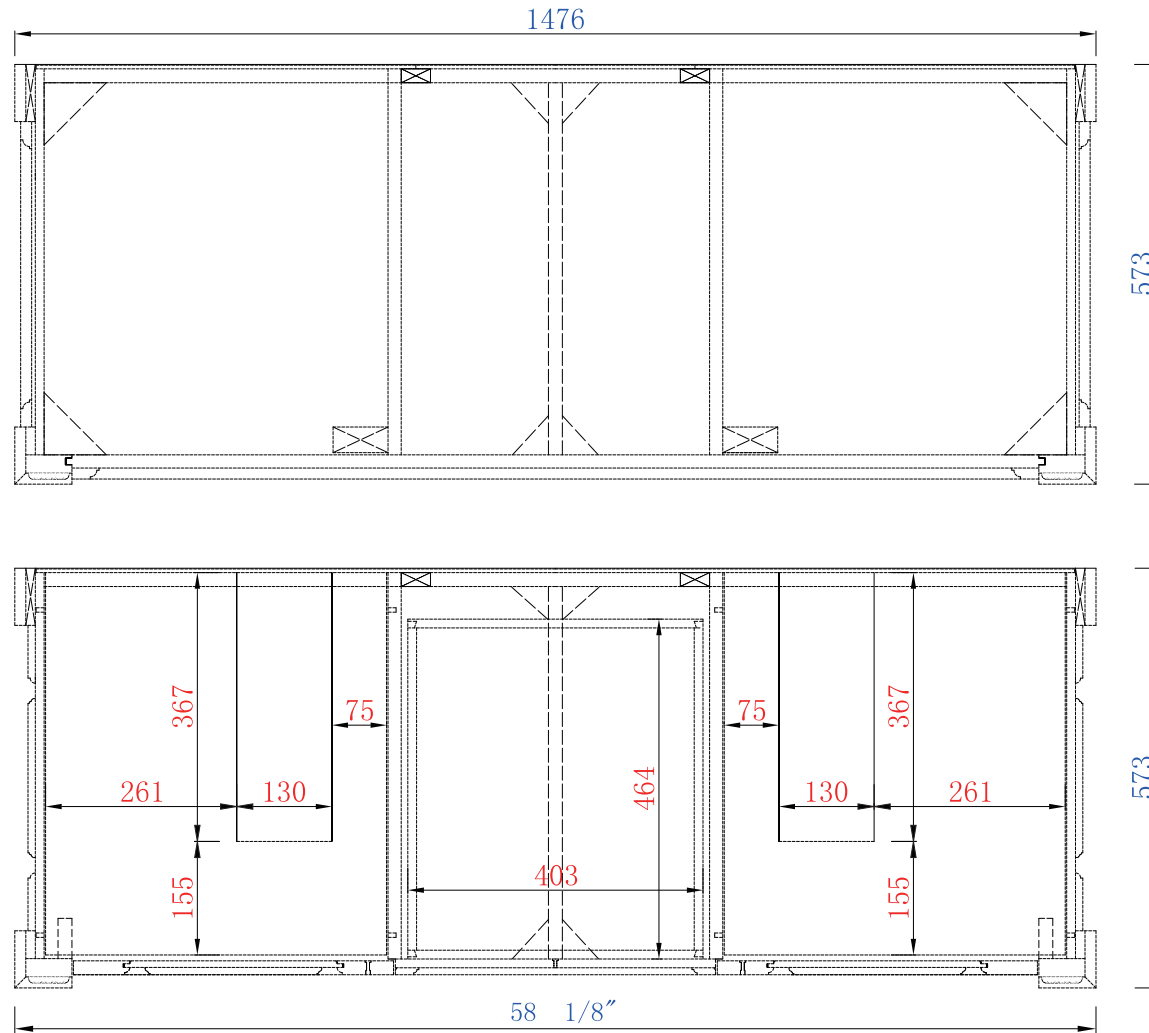
JAMES MARTIN



VANITIES™

Brookfield 1524mm Cabinet

Diagrams with Dimensions
page 02 of 03



NOTE ONE: Countertops are not shown in these diagrams. (Cabinet Only)

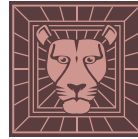
NOTE TWO: Wooden Backsplash (Shown) is designed for the molding detail to align with sinks in James Martin's Optional Countertops. Customers' own countertops and sinks may align differently, and modification may be required. Please consult our website for Countertop Diagrams: www.jamesmartinvanities.com

1524mm

Item Number:

- 147-114-5631
- 147-114-5641
- 147-114-5661
- 147-114-5671
- 147-114-5681

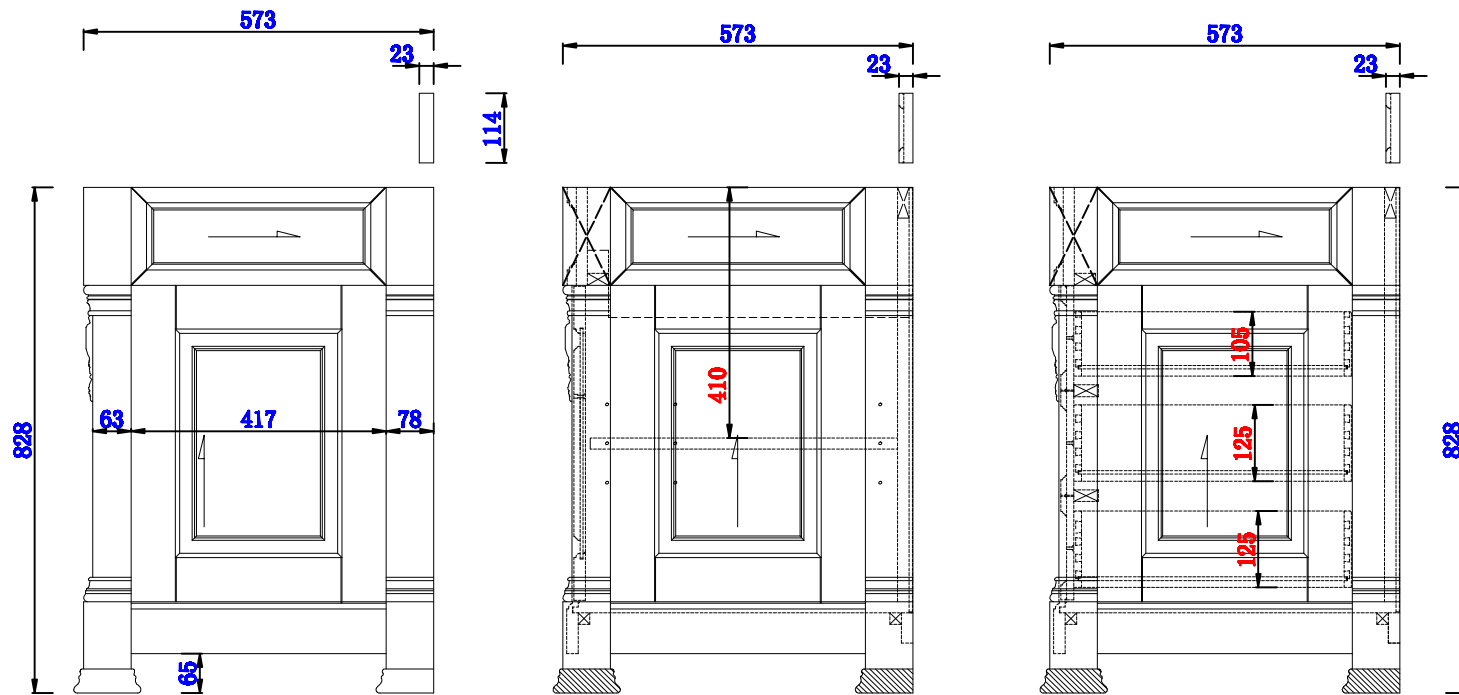
JAMES MARTIN



VANITIES™

Brookfield 1524mm Cabinet

Diagrams with Dimensions
page 03 of 03



NOTE ONE: Countertops are not shown in these diagrams. (Cabinet Only)

NOTE TWO: Wooden Backsplash (Shown) is designed for the molding detail to align with sinks in James Martin's Optional Countertops. Customers' own countertops and sinks may align differently.

Please consult our website for Countertop Diagrams: www.jamesmartinvanities.com