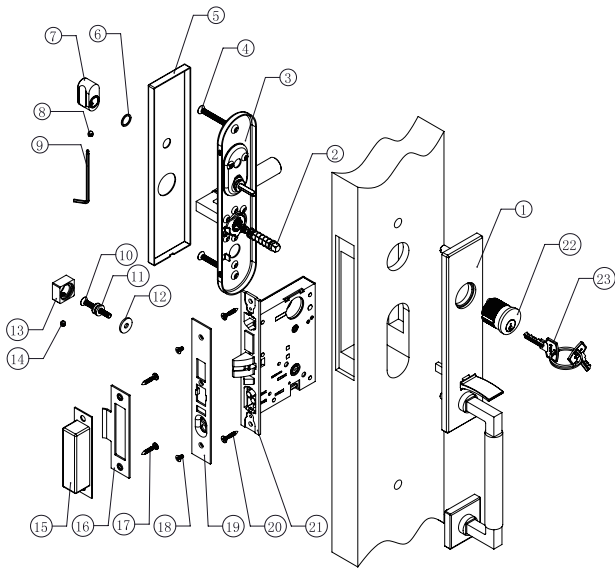
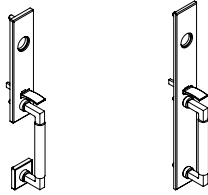


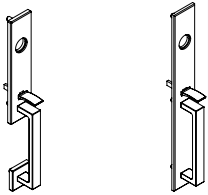
NY/ MH/ ME/ BW Handle-Set with MT Mortise Lock Parts List:



Section A



NY Handle-Set ME Handle-Set



MH Handle-Set BW Handle-Set

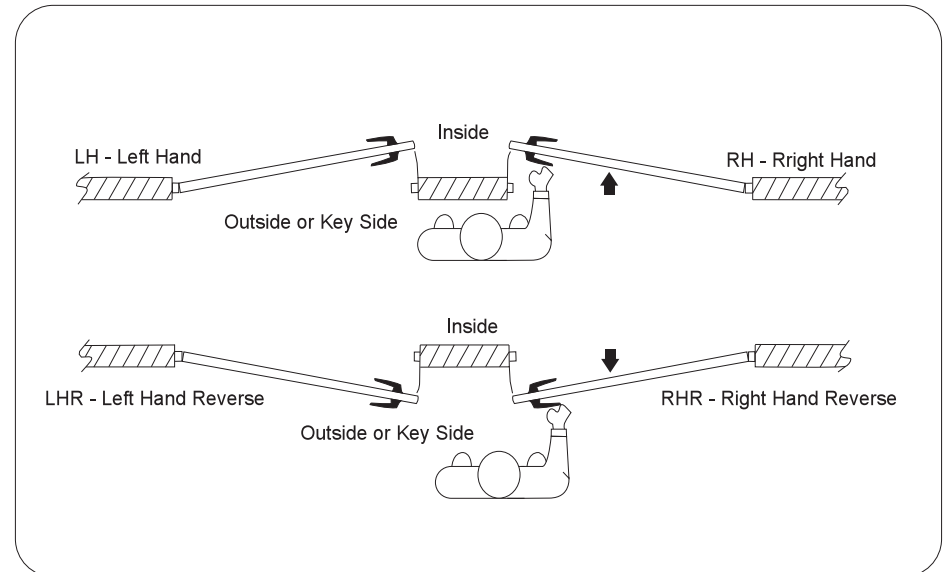


NY/ MH/ ME/ BW Series Handle-Set with MT Mortise Lock (2-1/2" Backset and 2-3/4" Backset) Installation Instructions

(PM-IS1501-V120920)

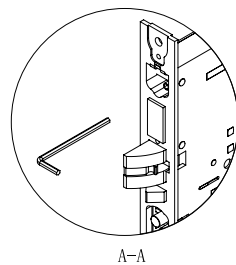
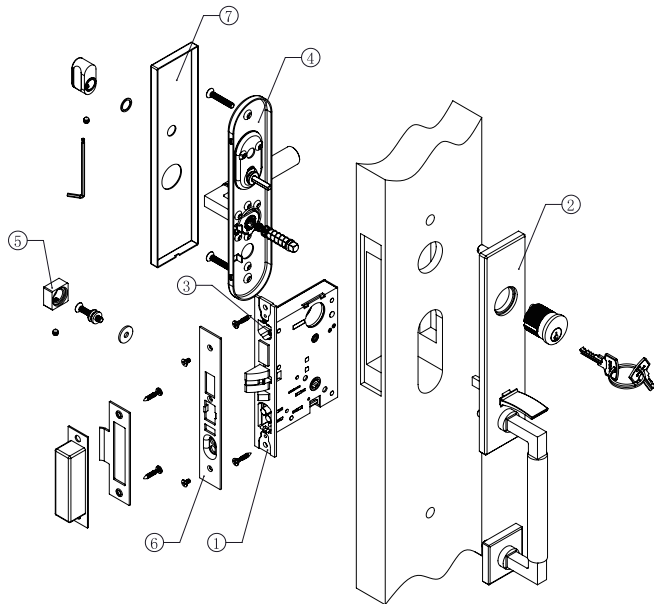
Items	No.	Parts Description	Function	
			Entry	Dummy Entry
Leverset Parts	1	NY/MH/BW/ME outside escutcheon plate and handle-set (See Section A)	1 EA	1 EA
	2	8 x 8 x 45mm Spring Spindle	1 EA	-
	3	NY/MH/BW/ME Inside w/ Lever	1 EA	1 EA
	4	M6 x 40mm Thru-bolt	2 EA	2 EA
	5	NY/ MH/BW/ME Inside Cover Plate	1 EA	1 EA
	6	Clear Washer for Thumb-turn	1 EA	-
	7	TT04 Thumb-turn	1 EA	-
	8	M6 Set Screws for T-turn	1 EA	-
	9	3mm Allen Key	1 EA	1 EA
	10	M6 x 40mm Thru-bolt (M6 x 70mm for NY)	1 EA	1 EA
	11	Thru-bolt Adaptor	1 EA	1 EA
	12	Stainless Steel Washer for Adaptor	1 EA	1 EA
	13	Thru-bolt Cap	1 EA	1 EA
	14	M6 Set Screw for Thru-bolt Cap	1 EA	1 EA
Locks and Cylinders	15	Dust Box	1 EA	-
	16	Striking Plate	1 EA	-
	17	#10 Screws for Striking Plate	2 EA	-
	18	#8 Screws for Armored Faceplate	2 EA	-
	19	Armored Faceplate	1 EA	-
	20	#10 Screws for Inner Faceplate	2 EA	-
	21	Mortise Lock Case	1 EA	-
	22	Mortise Cylinder	1 EA	-
	23	Keys	2 EA	-
-	Outside Mortise Dummy Cylinder	-	1 EA	
-	M8 x 60mm Thru-bolt	-	1 EA	
-	Stainless Steel Washer for M8 x 60mm Thru-bolt	-	1 EA	

Determine Door Handing and Set Lock Case Direction



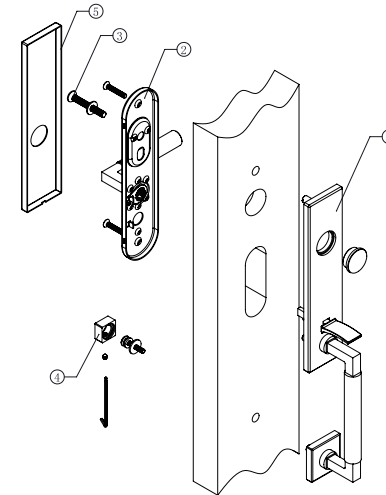
**NY/ MH/ ME/ BW Handle-Set with MT Mortise Lock Installation Instructions:
For Entry Function: MT620/ MT720**

1. Install mortise lockcase.
2. Screw on Mortise Cylinder with NY/ MH/ ME/ BW outside escutcheon plate with handgrip.
3. Use an Allen key to tighten yoke inside lock case through faceplate to fix the cylinder in position. See Section A-A
4. Install NY/ MH/ ME/ BW inside sub-plate and lever with 2 EA M6 x 40mm Thru-bolts.
▲ Please ensure the inside lever is at horizontal level and plate is vertical before tightening thru-bolts.
5. Insert the M6 thro-bolt through the adaptor and the stainless steel washer to fixing the outside handgrip before mounting the thru-bolt cap. Tighten the set screw inside the thru-bolt cap using allen key.
6. Install armored faceplate with screws.
7. Mount the inside cover plate and thumb-turn clear washer before mounting thumb-turn piece.

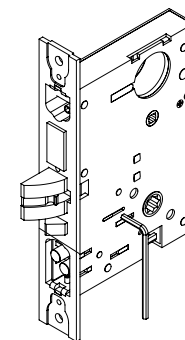


For Dummy Function: MTEDP

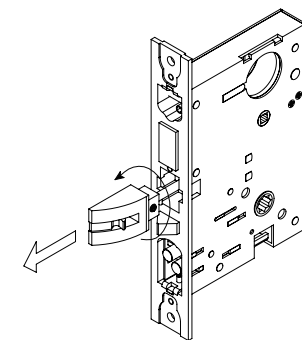
1. Mount NY/ MH/ ME/ BW outside escutcheon plate with handgrip.
2. Install NY/ MH/ ME/ BW inside sub-plate and lever with 2 EA M6 x 40mm Thru-bolts.
▲ Please ensure the inside lever is at horizontal level and plate is vertical before tightening thru-bolts.
3. Install outside mortise dummy cylinder with M8 x 60mm Thru-bolts and stainless steel washer.
4. Insert the M6 thro-bolt through the adaptor and the stainless steel washer to fixing the outside handgrip before mounting the thru-bolt cap. Tighten the set screw inside the thru-bolt cap using allen key.
5. Mount the inside cover plate.



Change Latch Bolt Direction For MT Mortise Lock



Release the latch screw



Change latch direction and secure with screw from countersink