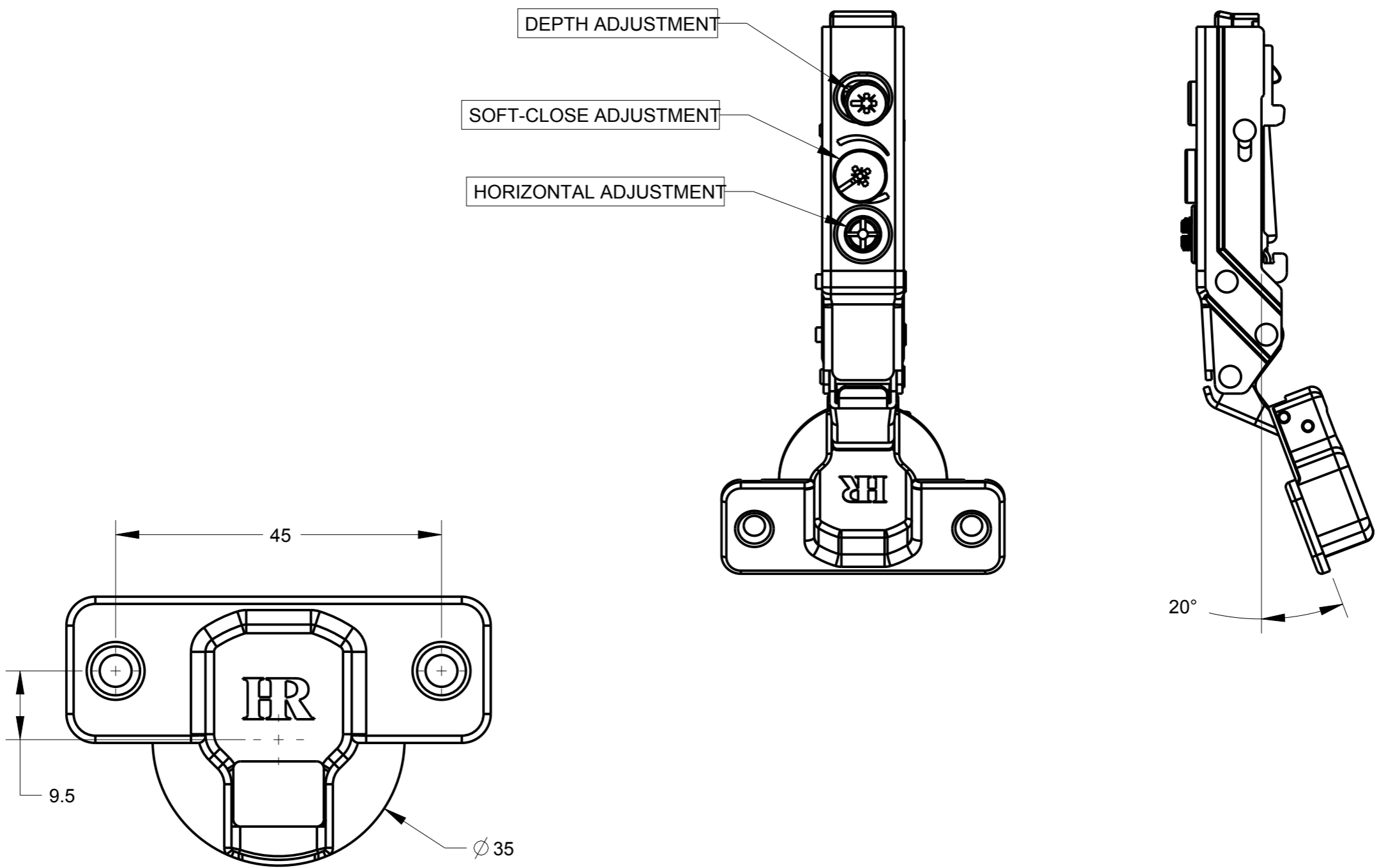


8 7 6 5 4 3 2 1

F
E
D
C
B
A



SCALE 1.500

DOCUMENT STATUS Released

THIRD ANGLE PROJECTION				
MATERIAL	FINISH	DESCRIPTION		
STEEL	NICKEL PLATED			
DRAWN BY	DATE	HINGE, 1750 SERIES		
R. LAIRD	11DEC17			
DESIGNED BY	DATE	DRAWING NUMBER		REV
R. LAIRD	11DEC17	1750_CSD		A
APPROVED BY	DATE	SIZE	SCALE	SHEET
G. DAVIS	12DEC17	A3	1.000	1 / 1

HARDWARE RESOURCES RESERVES THE RIGHT TO CHANGE SPECIFICATIONS WITHOUT NOTICE. IN CASE OF A DISCREPANCY, ACTUAL PART GEOMETRY SUPERSEDES THIS DOCUMENT.

THE INFORMATION CONTAINED WITHIN THIS DRAWING IS THE SOLE PROPERTY OF HARDWARE RESOURCES INC. ANY REPRODUCTION IN PART OR WHOLE WITHOUT WRITTEN PERMISSION OF HARDWARE RESOURCES INC. IS PROHIBITED.

8 7 6 5 4 3 2 1