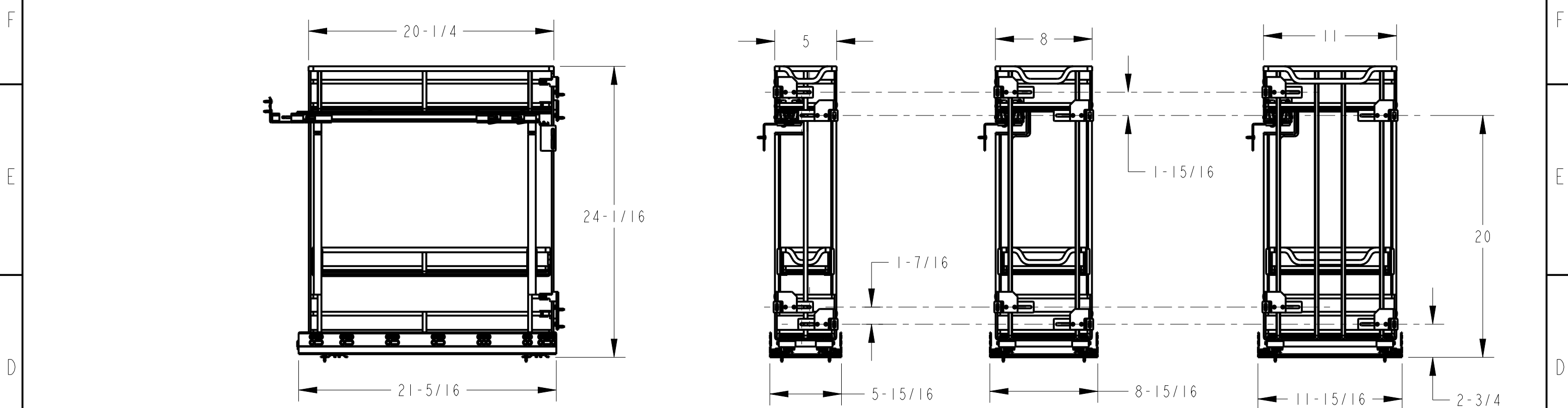


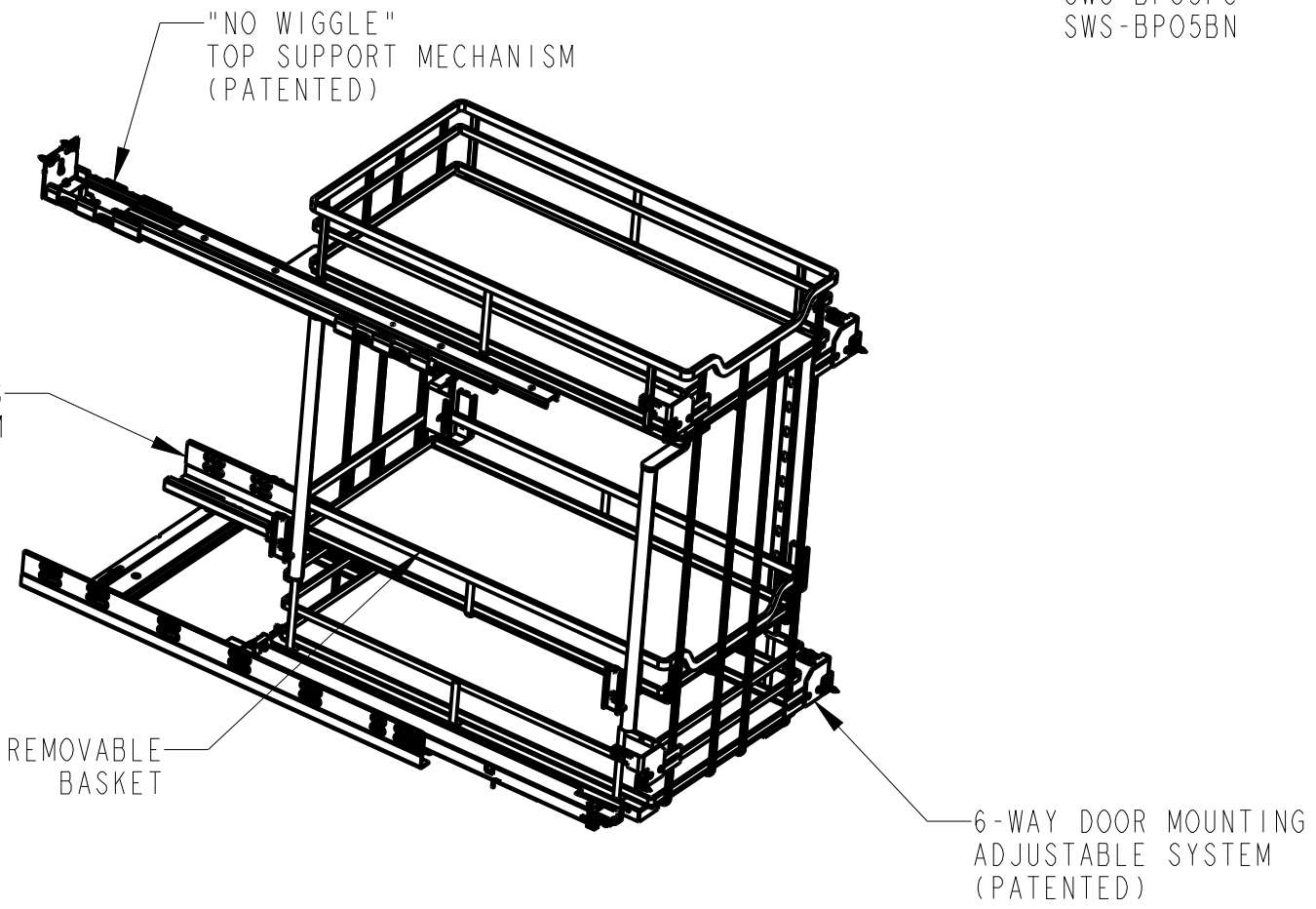
8 7 6 5 4 3 2 1



SWS-BPO5PC
SWS-BPO5BN

SWS-BPO8PC
SWS-BPO8BN

SWS-BPO11PC
SWS-BPO11BN



HR ITEM NUMBER 海威产品编号	PRODUCT DESCRIPTION/产品描述
SWS-BPO5PC	SWS BPO, POLISHED CHROME, 5in
SWS-BPO8PC	SWS BPO, POLISHED CHROME, 8in
SWS-BPO11PC	SWS BPO, POLISHED CHROME, 11in
SWS-BPO5BN	SWS BPO, BLACK NICKEL, 5in
SWS-BPO8BN	SWS BPO, BLACK NICKEL, 8in
SWS-BPO11BN	SWS BPO, BLACK NICKEL, 11in

THIRD ANGLE PROJECTION				
MATERIAL	FINISH			
STEEL	SEE TABLE	SWS BPO		
DRAWN BY A. CHEN	DATE 07MAR18	DRAWING NUMBER SWS-BPO	REV A	
DESIGNED BY A. CHEN	DATE 18JAN18	SIZE A3	SCALE 0.125	SHEET 1 / 1
APPROVED BY A. CHEN	DATE 07MAR18			

DOCUMENT STATUS Released

HARDWARE RESOURCES RESERVES THE RIGHT TO CHANGE SPECIFICATIONS WITHOUT NOTICE.
IN CASE OF A DISCREPANCY, ACTUAL PART GEOMETRY SUPERSEDES THIS DOCUMENT.

THE INFORMATION CONTAINED WITHIN THIS DRAWING IS THE SOLE PROPERTY OF HARDWARE RESOURCES INC. ANY REPRODUCTION IN PART OR WHOLE WITHOUT WRITTEN PERMISSION OF HARDWARE RESOURCES INC. IS PROHIBITED.

8 7 6 5 4 3 2 1