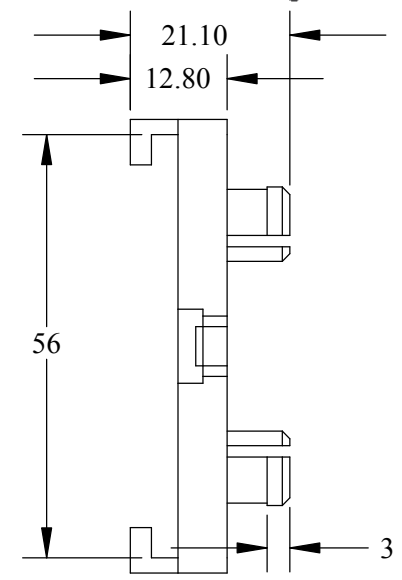


DETAIL A  
SCALE 2 : 1



Drawn by: Udhay.N	Scale: 1:1	Date: 11/01/05
----------------------	---------------	-------------------

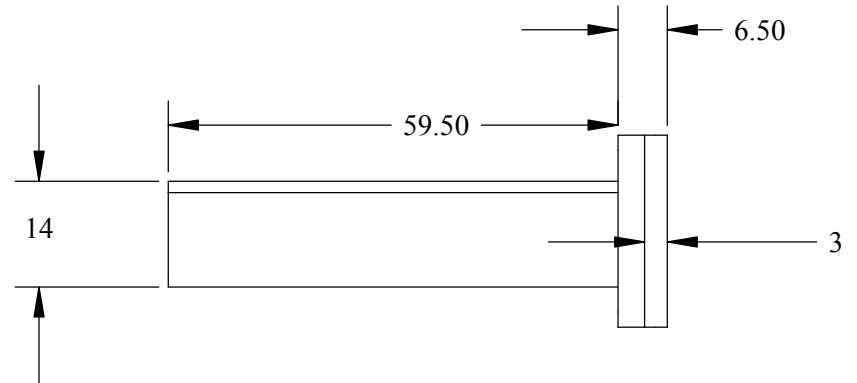
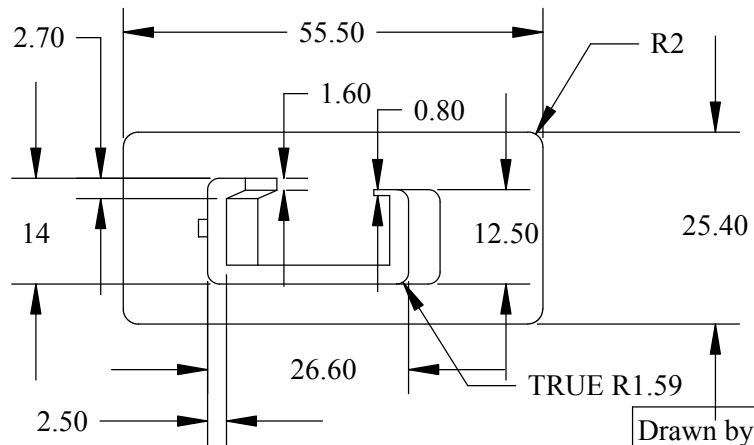
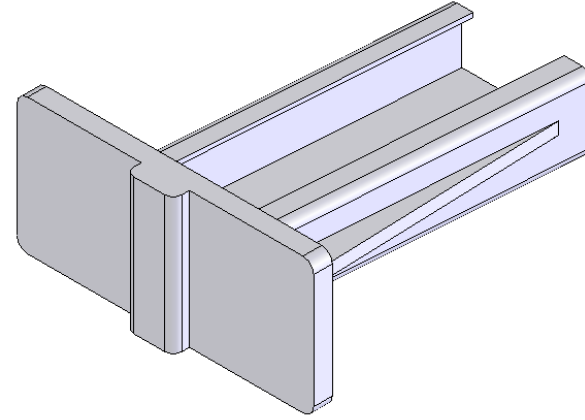
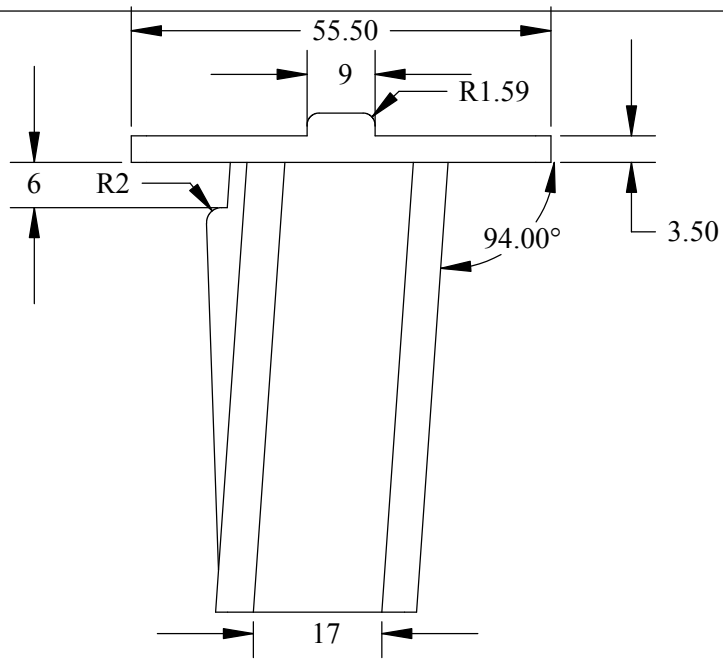
HARDWARE RESOURCES	
4319 MARLENA ST, BOSSIER CITY, LA71111	
PART NAME:	DOUBLE CAPTIVE SOCKET
MATERIAL:	ABS
ITEM NO:	8001
PLATING:	HR

TOLERANCES  
UNLESS OTHERWISE SPECIFIED  
TOLERANCES ARE IN METRIC

OVER ALL LENGTH ±0.1MM  
ANGLES ±0° 30'

\* - Critical Dimensions

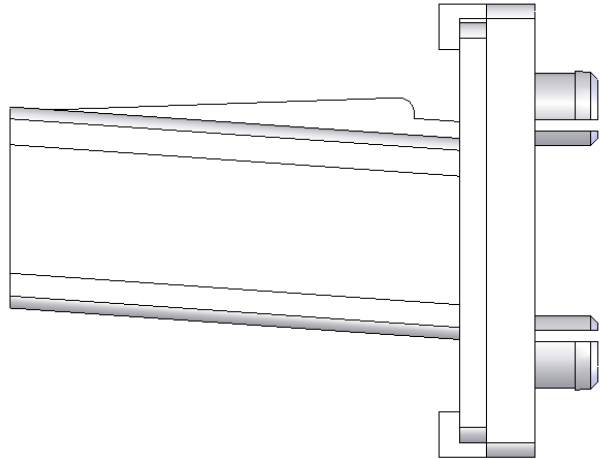
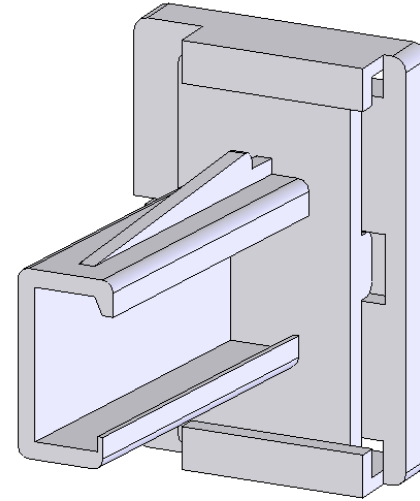
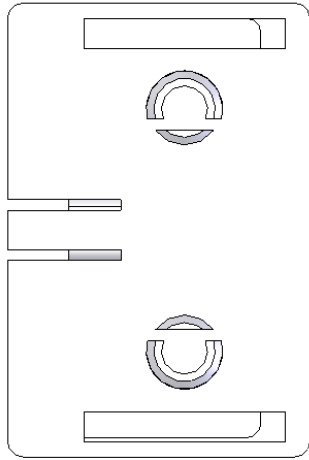
Sheet 1/3



Drawn by: Udhay.N	Scale: 1:1	Date:	HARDWARE RESOURCES	
<p style="text-align: center;">TOLERANCES</p> <p style="text-align: center;">UNLESS OTHERWISE SPECIFIED TOLERANCES ARE IN METRIC</p> <p style="text-align: center;">OVER ALL LENGTH ±0.1MM ANGLES ±0° 30'</p>			4319 MARLENA ST, BOSSIER CITY, LA71111	
			PART NAME:	HR
			MATERIAL:	HR
			ITEM NO:	HR
			PLATING:	HR

\* - Critical Dimensions

Sheet 2/3



Drawn by: Udhay.N	Scale: 1:1	Date:	HARDWARE RESOURCES	
<p style="text-align: center;">TOLERANCES</p> <p style="text-align: center;">UNLESS OTHERWISE SPECIFIED TOLERANCES ARE IN METRIC</p> <p>OVER ALL LENGTH     <math>\pm 0.1\text{MM}</math>          ANGLES                     <math>\pm 0^\circ 30'</math></p>			4319 MARLENA ST, BOSSIER CITY, LA71111	
			PART NAME:	HR
			MATERIAL:	HR
			ITEM NO:	HR
			PLATING:	HR

\* - Critical Dimensions

Sheet